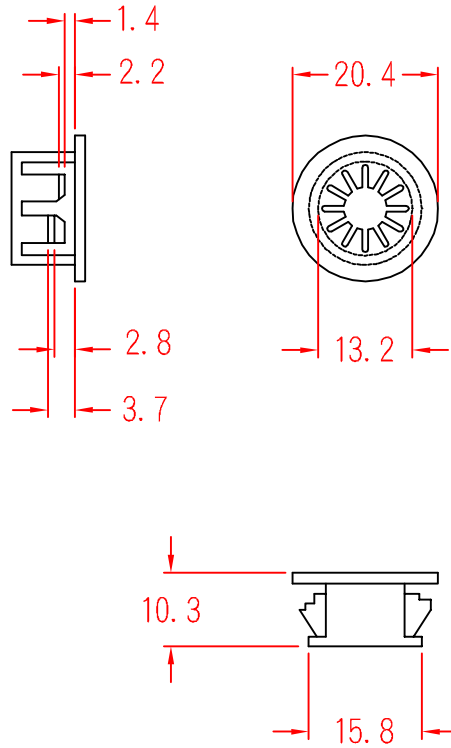


RSB-16



		MATERIAL UL 94V-2	ITEM NO.
		NYLON 66	RSB-16
SCALE		FINISH	NAME SNAP BUSHING
△	(. .)	TOLERANCE ±0.5mm	△ (. .) 01-16-2002 DATE REVISIONS K001
			R.NO.

