
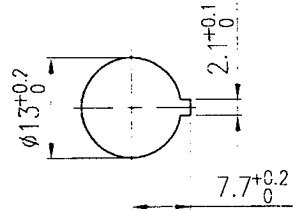
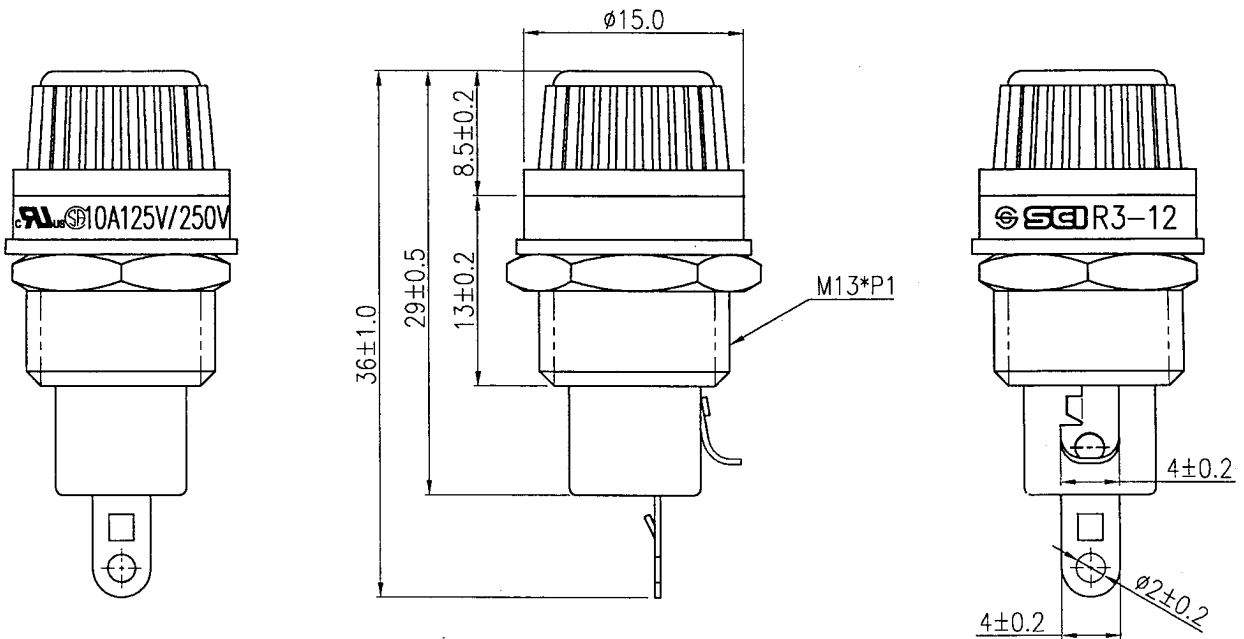


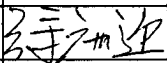
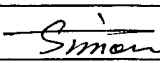
Rating	10A 125V/250V AC 	
Insulation Resistance	DC 500V 100M ohm Min	
Dielectric Strength	AC 1500V 1 minute	
Fuse Size	ø5.0*20mm	

Material:  
Housing: Black, PF  
Top cap: Black, PF  
Terminals: Nickel Plated Brass



原稿  
2015.6.26  
研發部

Tolerances ±0.3 Unless Otherwise Specified

							△
							△
Date	Name	Description				No.	
Drawn	Checked	Approved	SCI BOM No.	1310233	Model Name	FUSE HOLDER	
柳新強			Customer No.		Model No.	R3-12	
06/23/15	6/24/15	6/24/15	Unit	mm		Rev. 0	