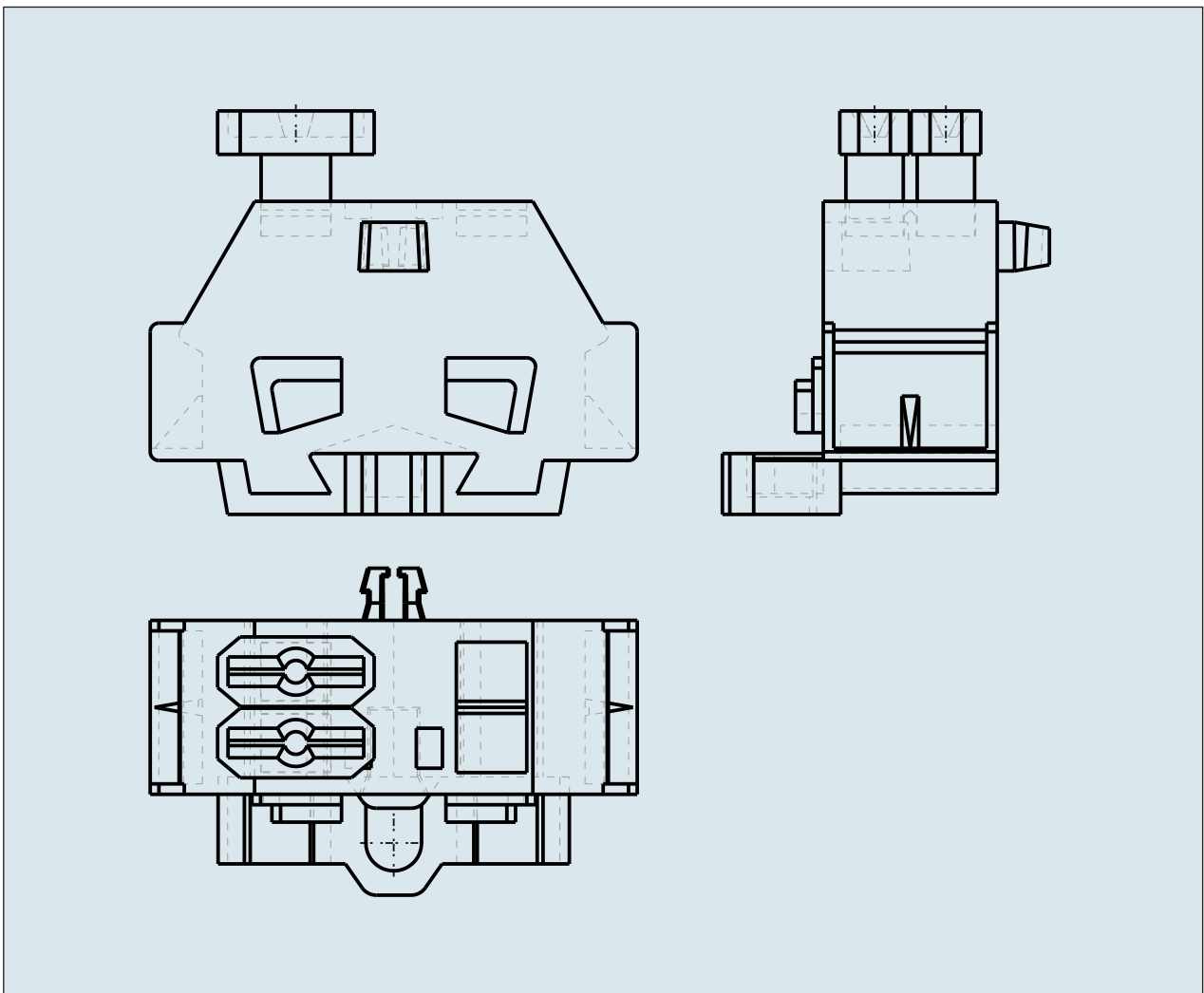
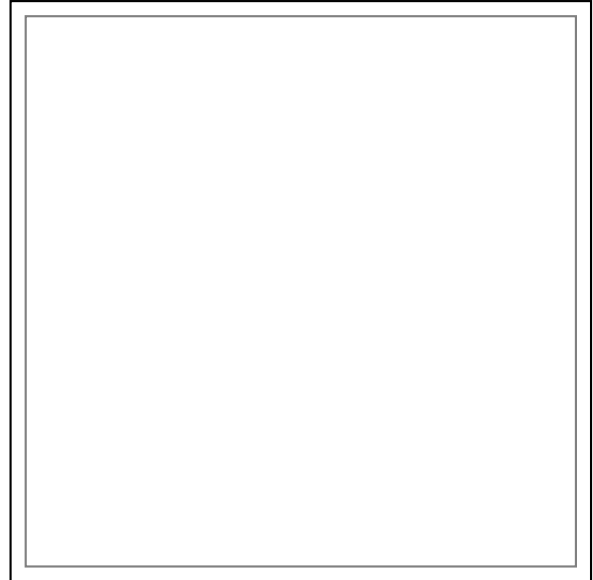
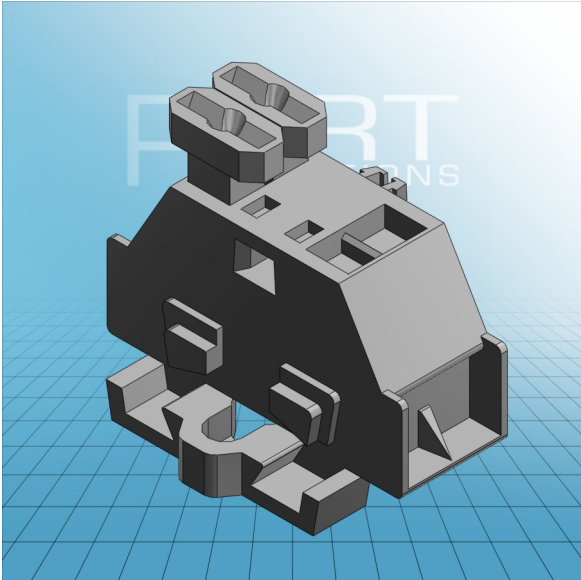


4-CONDUCTOR TERMINAL BLOCK PUSH BUTTONS ON ONE SIDE WITH FIXING FLANGE

261-331/332-000 TO 261-337/332-000



ITEM-NO. (ITEM-NO.)	261-331/332-000
Cross section1 (Cross section / mm²)	0.08 - 2.5
Cross section2 (Cross section / AWG)	28 - 14
Strip length (Strip length / mm)	8 - 9
Measured voltage (Measured voltage / V)	500
Measured shock voltage (Measured shock voltage / kV)	6
Pollution degree (Pollution degree)	3
Current intensity (Current intensity / A)	24
Height (Height / mm)	23.2
Width (Width / mm)	10
Depth (Depth / mm)	28
No. of connection Points (No. of connection Points)	4
No. of potentials (No. of potentials)	2
COLOR (COLOR)	grau
WEIGHT (WEIGHT / g)	4.13