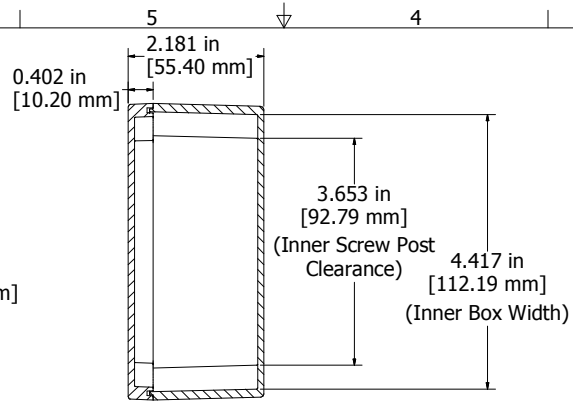
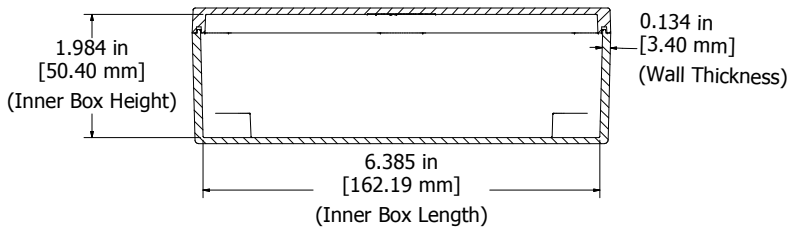


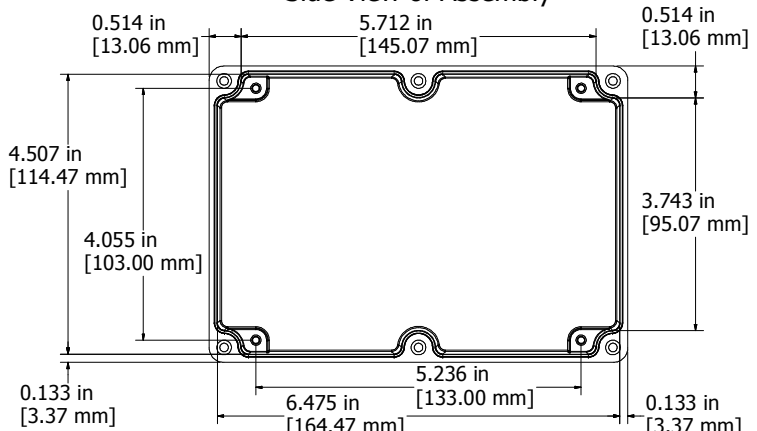
ASSEMBLY



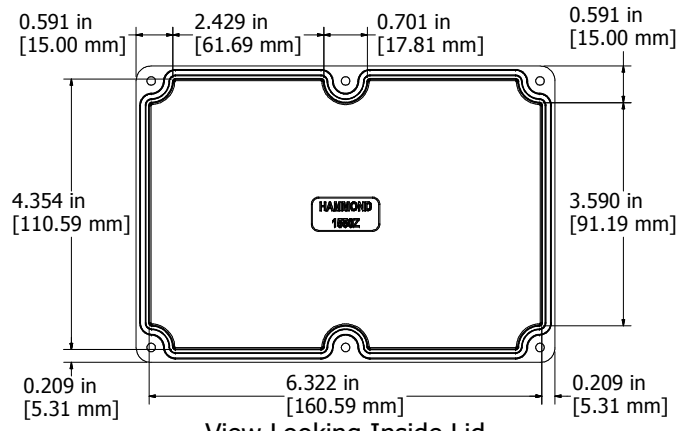
SECTION R-R
End View of Assembly



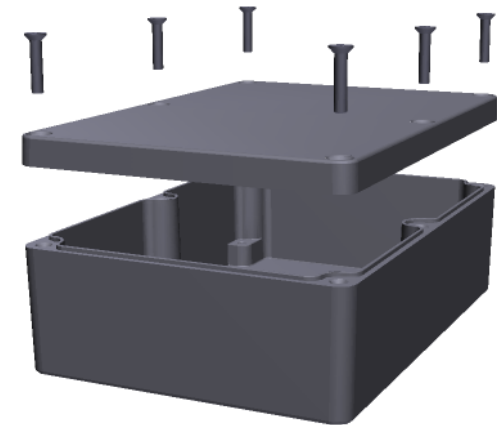
SECTION N-N
Side View of Assembly



Top View Looking Inside Box



View Looking Inside Lid



Enclosures can be Factory Modified (Milling, Drilling, Printing etc.)
Contact Factory mjm@hammondmg.com for quotes
Solid models of this enclosure available in STEP or IGES.

| NOTES | |
|---|--|
| Purchased assembly includes enclosure, M4x20 lid screws | |
| Gasket - Pre-formed Silicone Rubber | |
| Cover screws should be torqued to 5-7.5 lbf.in (50-75 cN.m) | |

| 1550Z120 | |
|--|------------|
| PART NUMBERS | |
| Unfinished | 1550Z120 |
| Black Textured Powder Paint - RAL 9011 | 1550Z120BK |

