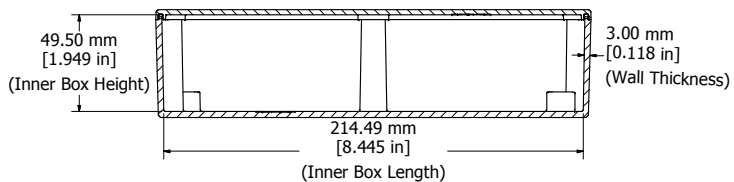
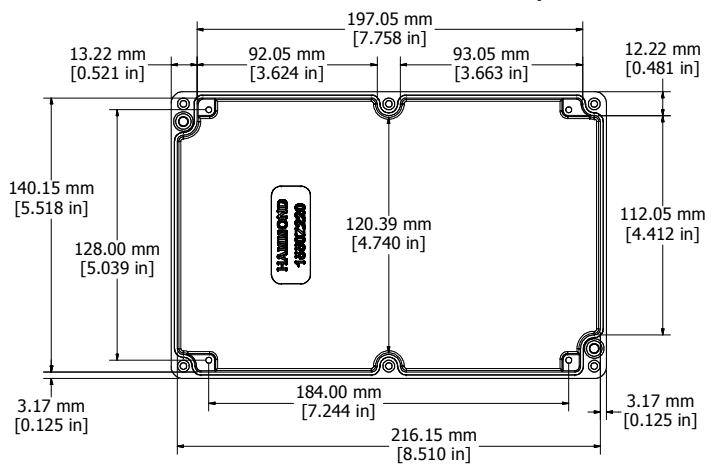


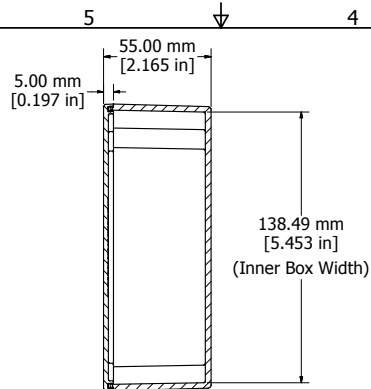
**ASSEMBLY**



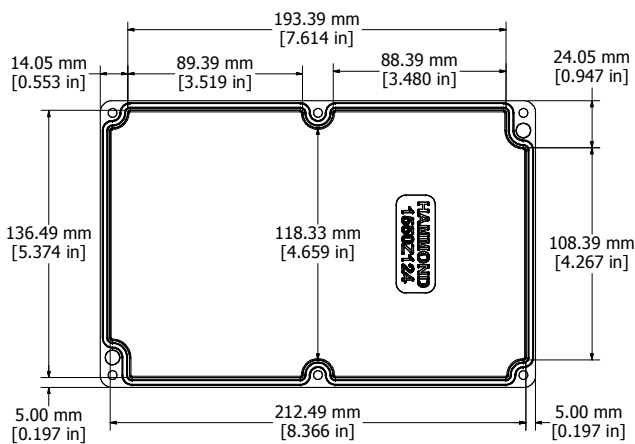
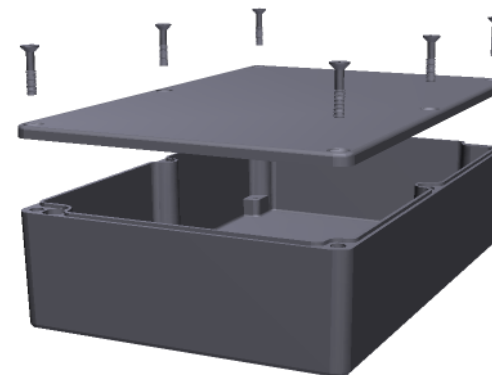
**SECTION B-B  
Side View of Assembly**



**Top View Looking Inside Box**



**SECTION A-A  
End View of Assembly**



**View Looking Inside Lid**

Enclosures can be Factory Modified ( Milling, Drilling, Printing etc. )  
Contact Factory [mjm@hammondmfg.com](mailto:mjm@hammondmfg.com) for quotes  
Solid models of this enclosure available in STEP or IGES.

**NOTES**

Purchased assembly includes enclosure, M4x20 lid screws	
Gasket - Pre-formed Silicone Rubber	
Cover screws should be torqued to 5-7.5 lbf.in (50-75 cN.m)	

1550Z124	
PART NUMBERS	
Unfinished	1550Z124
Black Textured Powder Paint - RAL 9011	1550Z124BK

