

## Klippon KLIPPON K52 EX

**Weidmüller Interface GmbH & Co. KG**  
 Klingenbergstraße 16  
 D-32758 Detmold  
 Germany  
 Fon: +49 5231 14-0  
 Fax: +49 5231 14-292083  
 www.weidmueller.com



For many years, the name Klippon® has stood for competence and quality in enclosures. The enclosures are ideal for turnkey customised solutions for standard industrial applications and for explosive-risk applications.

Improved products that meet all application requirements: this was Weidmüller's aim during the update of the Klippon® K housing series. Weidmüller delivers many types of aluminium enclosures; they are designed to fit precisely with a wide range of customer requirements and applications.

Our comprehensive product line provides the following advantages:

- Available in two different surfaces: natural and powder-coated (RAL 7001)
- Available normally with silicone or chloroprene gasket seal
- A uniform Torx-slotted screw head is used for over 19 different housing sizes.
- Mounting holes not within the sealed area
- High degree of protection: IP66, IP67 and IP68
- Impact resistance of up to 10 Joules
- The housings are certified by ATEX, GOST, GOST Ex, cULus, Russian Maritime Register, German Lloyd, as well as the empty housing standard.
- Alloy is resistant to salt water

- Standardised distributor housings with threaded holes and a variety of terminal configurations

### General ordering data

Order No.	<a href="#">9526950000</a>
Type	KLIPPON K52 EX
Version	Enclosures, Aluminium AlSi12, 160 mm, 91 mm, 160 mm
GTIN (EAN)	4008190338862
Qty.	1 pc(s).

**Klippon  
KLIPPON K52 EX**

**Weidmüller Interface GmbH & Co. KG**  
 Klingenbergstraße 16  
 D-32758 Detmold  
 Germany  
 Fon: +49 5231 14-0  
 Fax: +49 5231 14-292083  
 www.weidmueller.com

**Technical data****Dimensions and weights**

Length	91 mm	Width	160 mm
Height	160 mm	Mounting dimension - width	140 mm
Mounting dimension - height	110 mm	Weight	1,480 g
Net weight	1,699 g		

**Cable glands, left**

M12 (3)	8	M16 (3)	5
M20 (3)	3	M25 (3)	2
M32 (3)	1		

**Cable glands, right**

M12 (2)	8	M16 (2)	5
M20 (2)	3	M25 (2)	2
M32 (2)	1	Side of enclosure	left, right

**Cable glands, top/bottom**

M12	14	M16	8
M20	5	M25	3
M32	2	M40	1
Side of enclosure	left, right		

**General information**

Areas of use	Explosive risk zone, Process industry, Transportation, Packaging industry, Marine engineering, Machine construction, Harbour facilities	Torque for cover screws	2.5 Nm
Material	Aluminium AlSi12	Seal material	Silicone
Surface finish	untreated	Operating temperature, min.	-30 °C
Operating temperature, max.	80 °C	Impact resistance	7.00 J
Protection degree	IP 66, IP 67	Enclosure attachment	Holes 6 mm
Cover attachment	M6 torx stainless steel screws with slot	Integral fixing	threaded holes M6

**horizontal assembly**

WDU 10 / ZDU 10	1x9	WDU 2,5 / ZDU 2,5 / IDU 2,5	1x18
WDU 4 / ZDU 4	1x15	WDU 6 / ZDU 6	1x11

**vertical assembly**

WDU 2,5 / ZDU 2,5 / IDU 2,5 (2)	*	WDU 4 / ZDU 4 (2)	*
---------------------------------	---	-------------------	---

**Classifications**

ETIM 2.0	EC000520	ETIM 3.0	EC000049
UNSPSC	31-26-15-02	eClass 4.1	27-14-12-06
eClass 5.1	27-18-05-02	eClass 6.0	27-18-05-02
eClass 7.0	27-18-05-02		

**Data sheet...****Klippon  
KLIPPON K52 EX**

**Weidmüller Interface GmbH & Co. KG**  
Klingenbergstraße 16  
D-32758 Detmold  
Germany  
Fon: +49 5231 14-0  
Fax: +49 5231 14-292083  
www.weidmueller.com

**Technical data****Test certificates**

Certificate No. (ATEX)	KEMA00ATEX8501X	Certificate No. (GERMLLOYD)	44536-07
Certificate No. (MARITREG)	09.04040.250		

**Approvals**

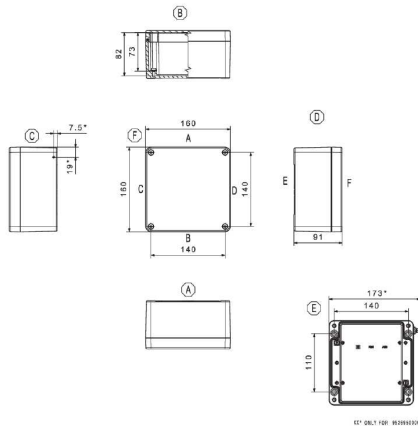
Approvals



**Klippon  
KLIPPON K52 EX**

**Weidmüller Interface GmbH & Co. KG**  
Klingenbergstraße 16  
D-32758 Detmold  
Germany  
Fon: +49 5231 14-0  
Fax: +49 5231 14-292083  
www.weidmueller.com

**Drawings**



**Klippon  
KLIPPON K52 EX**

**Weidmüller Interface GmbH & Co. KG**  
Klingenbergstraße 16  
D-32758 Detmold  
Germany  
Fon: +49 5231 14-0  
Fax: +49 5231 14-292083  
www.weidmueller.com

**Accessories****140 mm (K52/POK51)**

Mounting rails are available in widths of 15 and 35 mm. They are cut to fit the various housing sizes. Three mounting plates are also available as an alternative to the mounting rail for small and flat housings.

**General ordering data**

Order No.	Type	Version	GTIN (EAN)	Qty.
<a href="#">1910100000</a>	TS35/140 Klippon K52 POK51	Mounting rail, 140 mm	4032248537013	1 pc(s).