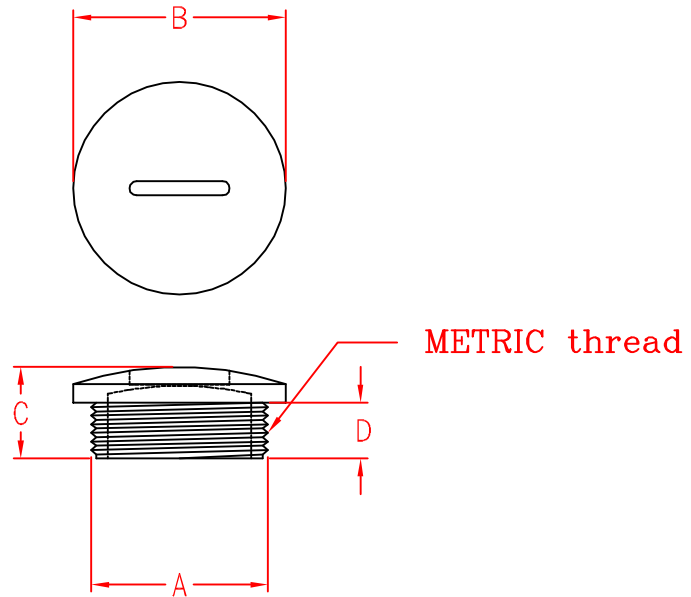


MSP TYPE



ITEM NO.	External thread	A	B	C	D
MSP-12	M12X1.5	11.7	15.0	10.0	6.0
MSP-16	M16X1.5	15.7	20.0	10.5	6.0
MSP-20	M20X1.5	19.9	24.0	10.5	6.0
MSP-25	M25X1.5	24.7	29.7	12.8	7.8
MSP-32	M32X1.5	31.7	36.6	13.3	7.8
MSP-40	M40X1.5	39.9	45.8	13.4	7.8
MSP-50	M50X1.5	49.4	55.5	16.2	9.8
MSP-63	M63X1.5	62.4	69.3	17.5	11.8

MATERIAL UL 94V-2
 NYLON 66

ITEM NO.

MSP TYPE

SCALE

FINISH

NAME

SCREW PLUG



(. .)

TOLERANCE ±0.5mm



06-27-2007
 DATE

REVISIONS

K001

R.NO.

