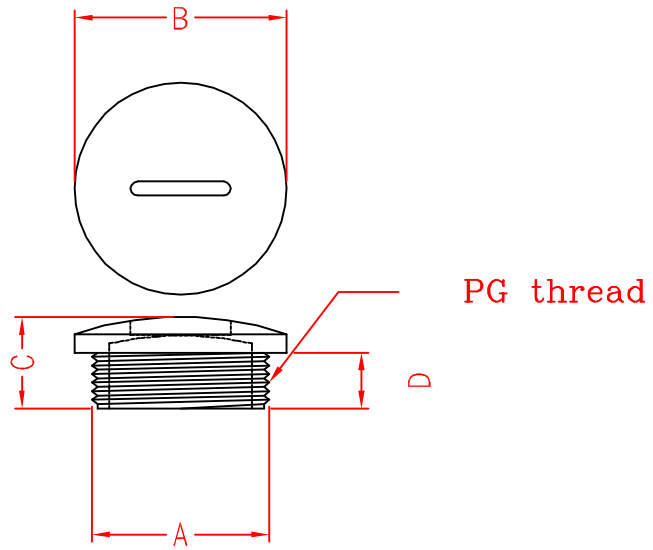


PSP TYPE



ITEM NO.	External thread	A	B	C	D
PSP-7	PG-7	12.2	14.8	10.0	6.0
PSP-9	PG-9	15.1	18.7	10.5	6.0
PSP-11	PG-11	18.5	21.7	10.5	6.0
PSP-13.5	PG-13.5	20.3	23.7	12.8	7.8
PSP-16	PG-16	22.3	27.0	13.3	7.8
PSP-21	PG-21	28.3	32.8	13.4	7.8
PSP-29	PG-29	37.0	44.1	16.2	9.8
PSP-36	PG-36	47.0	52.6	17.5	11.8
PSP-42	PG-42	54.0	59.5	16.2	9.8
PSP-48	PG-48	59.6	64.2	17.5	11.8

MATERIAL UL 94V-2
 NYLON 66

ITEM NO.

PSP TYPE

SCALE

FINISH

NAME

SCREW PLUG



(. .)

TOLERANCE ±0.5mm



08-27-2007
 DATE

REVISIONS

K001

R.NO.

