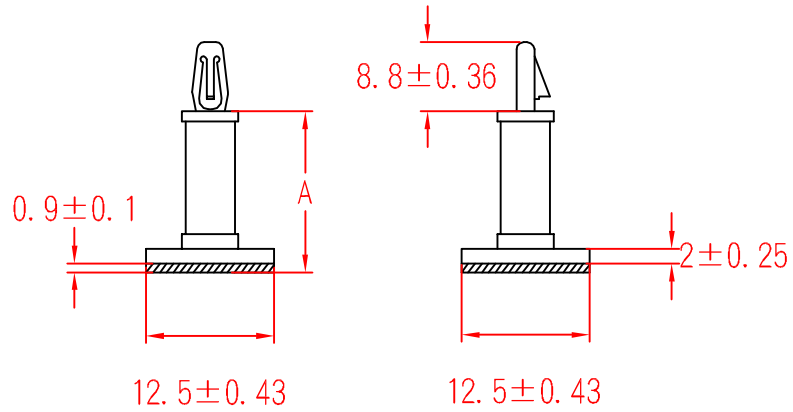


# MMR TYPE

To fit 3.2mm hole  
chassis 1.6mm



Item NO.	A mm
MMR-5	4.8±0.3
MMR-6	6.4±0.36
MMR-8	7.9±0.36
MMR-9	9.5±0.36
MMR-11	11.1±0.43
MMR-13	12.7±0.43
MMR-14	14.3±0.43
MMR-16	15.9±0.43

		MATERIAL UL 94V-2	ITEM NO.
		NYLON 66	MMR TYPE
SCALE		FINISH	NAME
			ADHESIVE PCB SUPPORT
△	( . . )	TOLERANCE AS FIGURE	△ 06-20-2008 DATE
			REVISIONS K001
			R.NO.

