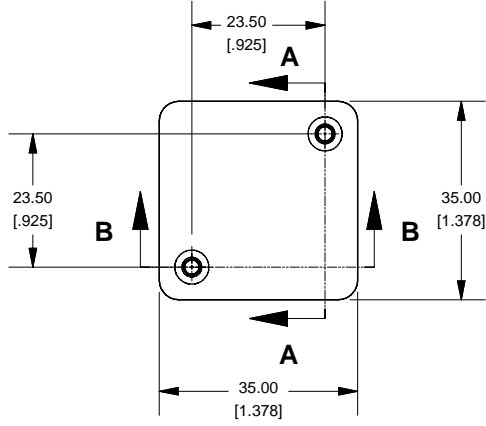
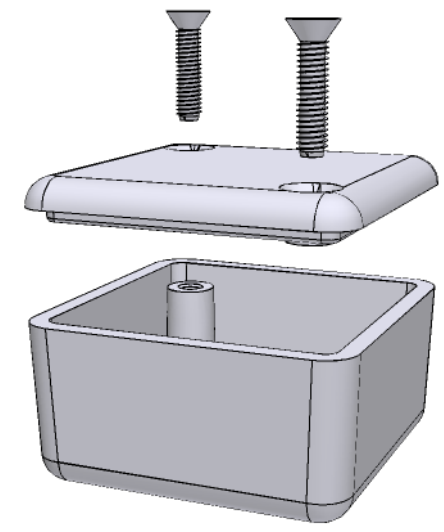
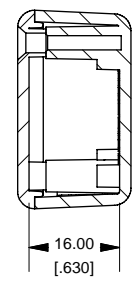


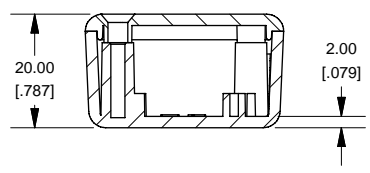
Top View of Assembly



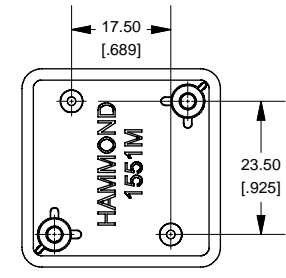
SECTION A-A End View of Assembly



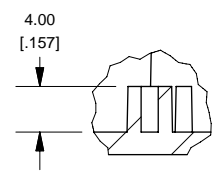
SECTION B-B Side View of Assembly



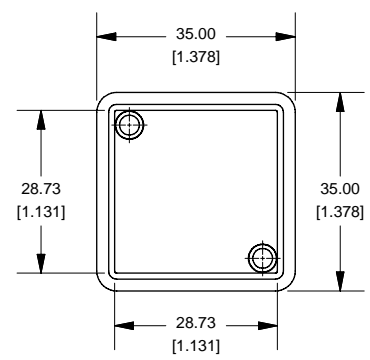
Top View Looking Inside Box



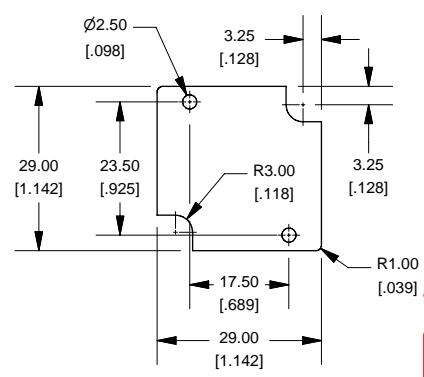
SECTION C-C Boss Heights



Lid



Maximum P.C. Board Size



NOTE
Purchased assembly includes lid and box made from GP ABS material and cover screws.

| 1551M | |
|---|------------------|
| 1551M Enclosure | |
| Black Enclosure - RAL 9011 - UL94 - HB | 1551MBK |
| Gray Enclosure - RAL 7035 - UL94 - HB | 1551MGY |
| Translucent Blue - UL94 - HB | 1551MTBU |
| ACCESSORIES | |
| Recommended Screw Torque: 15-20 ozf.in (10-15 cN.m) | |
| Black Enclosure Cover Screws (Pkg 100) X 1/2" Self Tapping | [#4] 1591TS100BK |
| Grey Enclosure Cover Screws (Pkg 100) X 1/2" Self Tapping | [#4] 1591TS100 |
| P.C. Board Screws (Pkg 100) [#2 x 3/16" Self Tapping] | 1551ATS100 |

