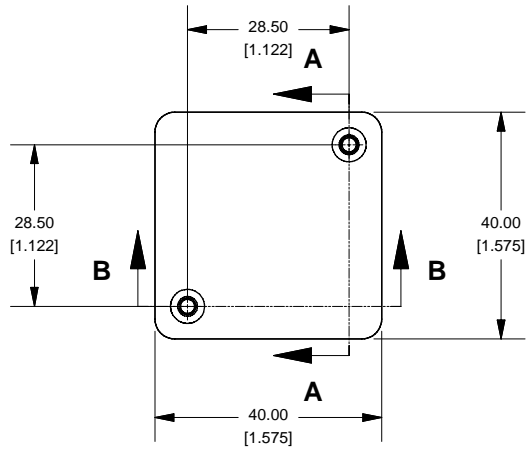
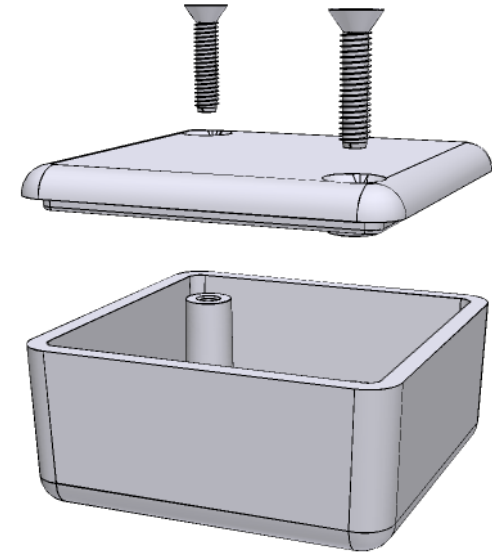
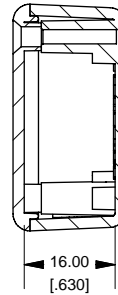


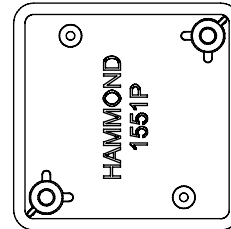
### Top View of Assembly



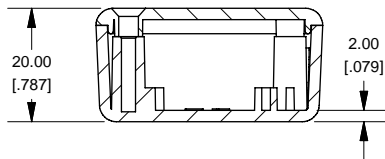
### SECTION A-A End View of Assembly



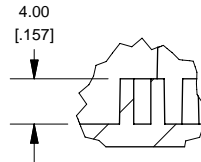
### Top View Looking Inside Box



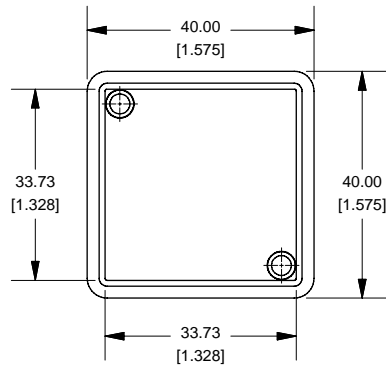
### SECTION B-B Side View of Assembly



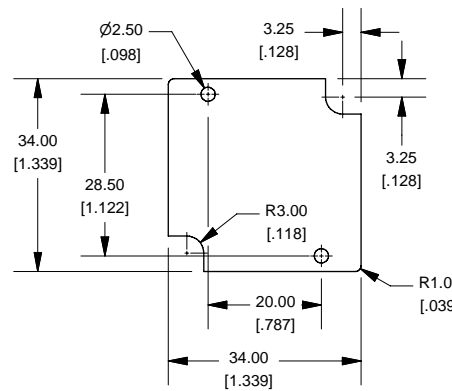
### SECTION C-C Boss Heights



### Lid



### Maximum P.C. Board Size



### NOTE

Purchased assembly includes lid and box made from GP ABS material and cover screws.

### 1551P

#### 1551P Enclosure

Black Enclosure - RAL 9011 - UL94 - HB	1551PBK
Grey Enclosure - RAL 7035 - UL94 - HB	1551PGY
Translucent Blue - UL94 - HB	1551PTBU

#### ACCESSORIES

Recommended Screw Torque: 15-20 ozf.in (10-15 cN.m)	
Black Enclosure Cover Screws (Pkg 100) X 1/2" Self Tapping]	#4 1591TS100BK
Grey Enclosure Cover Screws (Pkg 100) X 1/2" Self Tapping]	#4 1591TS100
P.C. Board Screws (Pkg 100) [#2 x 3/16" Self Tapping]	1551ATS100



**HAMMOND  
MANUFACTURING™**

**1551P**

www.hammondmfg.com