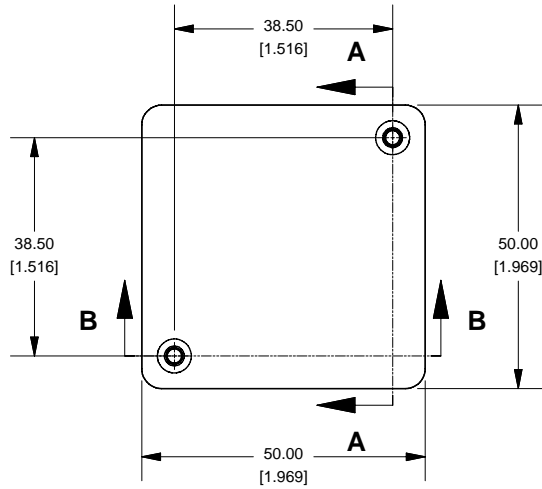


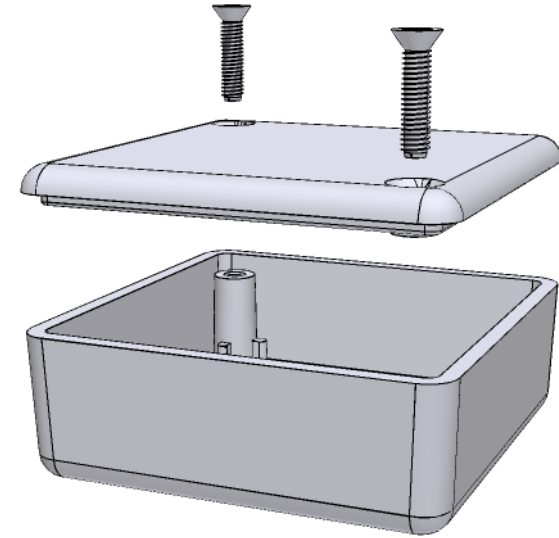
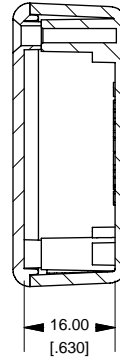
2

1

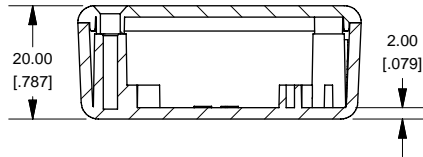
Top View of Assembly



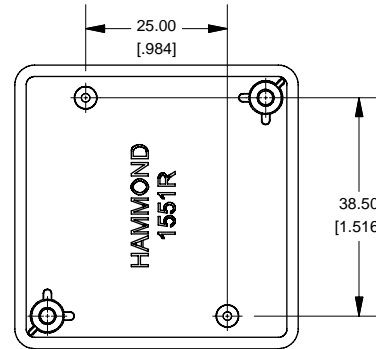
SECTION A-A End View of Assembly



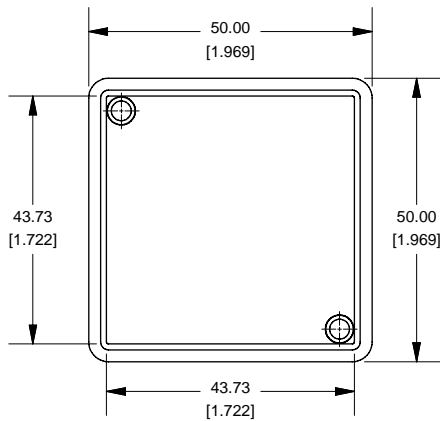
SECTION B-B Side View of Assembly



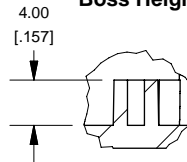
Top View Looking Inside Box



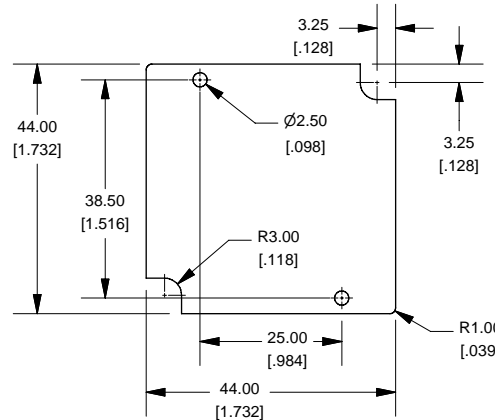
Lid



SECTION C-C Boss Heights



Maximum P.C. Board Size



NOTE

Purchased assembly includes lid and box made from GP ABS material and cover screws.

1551R

1551R Enclosure

Black Enclosure - RAL 9011 - UL94 - HB	1551RBK
Gray Enclosure - RAL 7035 - UL94 - HB	1551RGY
Translucent Blue - UL94 - HB	1551RTBU

ACCESSORIES

Recommended Screw Torque: 15-20 ozf.in (10-15 cN.m)

Black Enclosure Cover Screws (Pkg 100) X 1/2" Self Tapping	#4	1591TS100BK
Grey Enclosure Cover Screws (Pkg 100) X 1/2" Self Tapping	#4	1591TS100
P.C. Board Screws (Pkg 100) [#2 x 3/16" Self Tapping]		1551ATS100



**HAMMOND
MANUFACTURING™**

1551R

www.hammondmfg.com

2

1