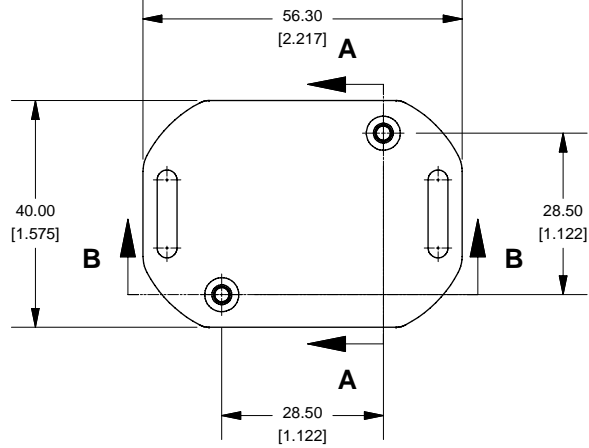
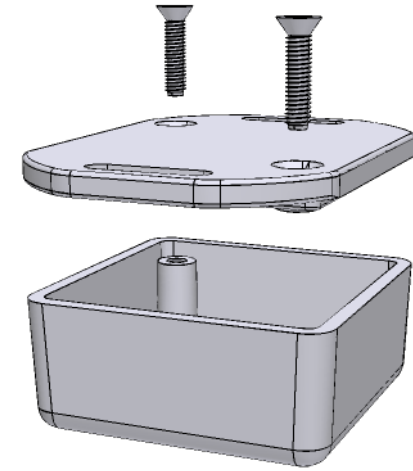
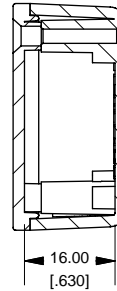


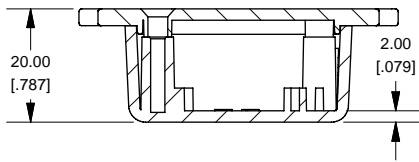
### Top View of Assembly



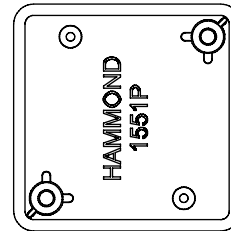
### SECTION A-A End View of Assembly



### SECTION B-B Side View of Assembly

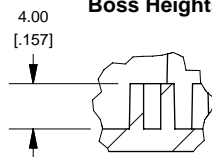


### Top View Looking Inside Box

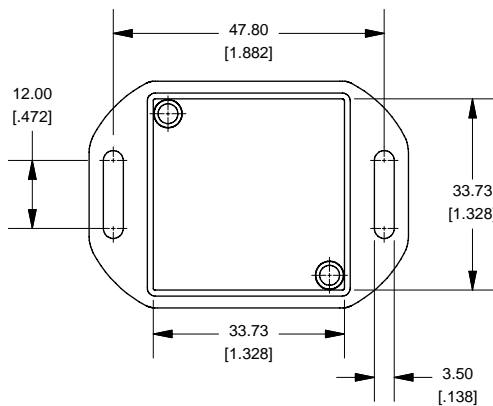


**NOTE**  
Purchased assembly includes lid and box made from GP ABS material and cover screws.

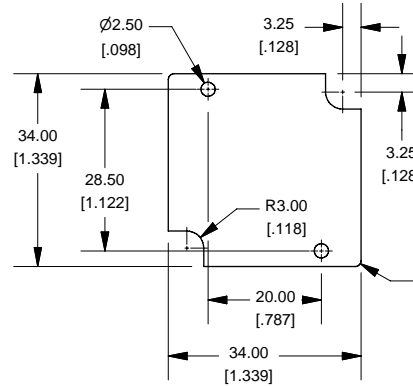
### SECTION C-C Boss Heights



### Lid



### Maximum P.C. Board Size



| 1551PFL   |                |
|---|----------------|
| 1551PFL Enclosure   |                |
| Black Enclosure - RAL 9011 - UL94 - HB                        | 1551PFLBK      |
| Gray Enclosure - RAL 7035 - UL94 - HB                         | 1551PFLGY      |
| Translucent Blue - UL94 - HB                                  | 1551PFLTBU     |
| ACCESSORIES   |                |
| Recommended Screw Torque: 15-20 ozf.in (10-15 cN.m)           |                |
| Black Enclosure Cover Screws (Pkg 100)<br>X 1/2" Self Tapping | #4 1591TS100BK |
| Grey Enclosure Cover Screws (Pkg 100)<br>X 1/2" Self Tapping  | #4 1591TS100   |
| P.C. Board Screws (Pkg 100)<br>#2 x 3/16" Self Tapping        | 1551ATS100     |

**HAMMOND  
MANUFACTURING™**  
**1551PFL**  
www.hammondmfg.com