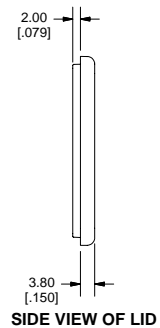
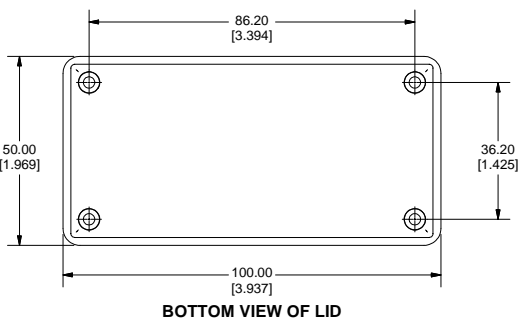
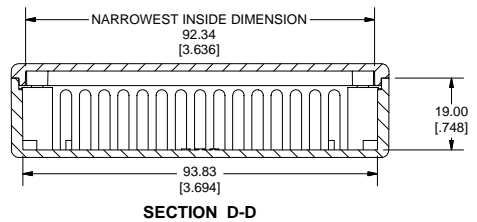
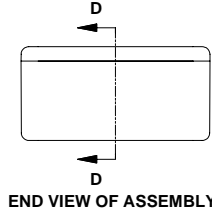
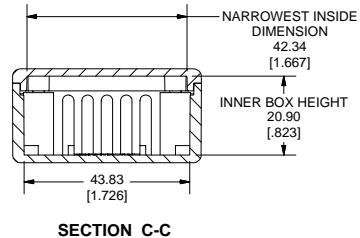
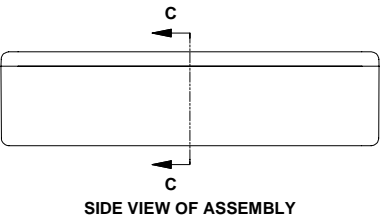
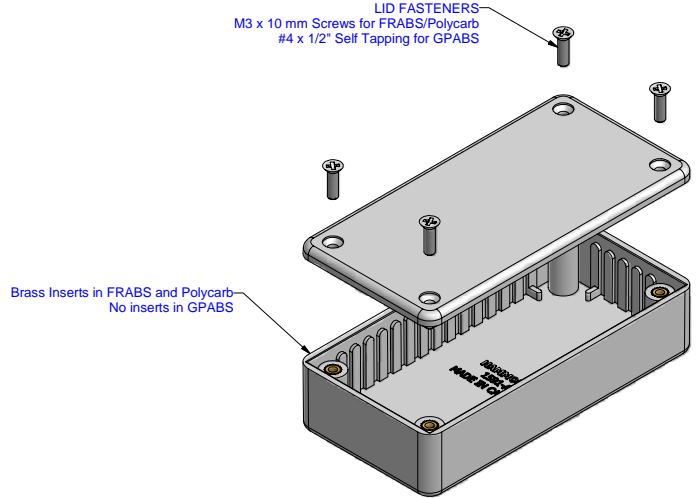
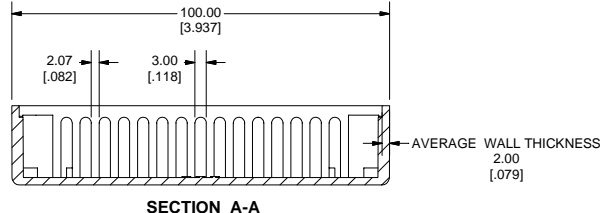
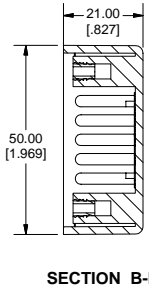
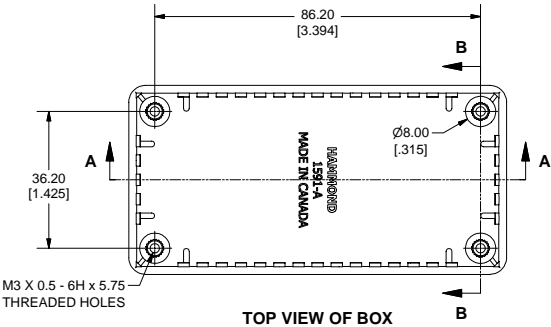
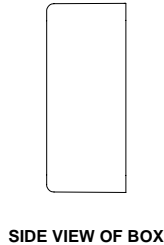


1591A Enclosure



Note:
 Enclosures can be Factory Modified (Milling, Drilling, Printing etc.)
 Solid models of this enclosure available in STEP or IGES Format.
 Contact Factory mjm@hammondmfg.com



| PART NUMBERS | | |
|---|--|-----------------------------------|
| 1591A Enclosures | | |
| Material | Colour | Part Number |
| FR ABS UL94 - V0 | Black | 1591ABK |
| | Grey | 1591AGY |
| GP ABS | Black Shielded (Conductive Paint) | 1591RABK |
| | Black | 1591ASBK |
| Translucent Polycarbonate | Grey | 1591ASGY |
| | Ice Blue | 1591ATBU |
| Polycarbonate | IR Red | 1591ATRD |
| | Crystal Clear | 1591ATCL |
| Accessories | | |
| | Description | Part Number |
| Universal Application | PC Board Card Adapters | See Accessories Section |
| | Flange Kits | See Accessories Section |
| | Clear Lids - clear, flame retardant polycarbonate - Lid ONLY | 1591AC |
| FR ABS & Polycarbonate | Replacement Screws, Flat head Phillips, Nickel Plated Pkg of 100 | 1591MS100 1591MS100BK (Black) |
| GP ABS | Self Tapping Pkg of 100 | 1591TS100 1591TS100BK (Black) |
| Required Torque on Fasteners (no lubrication) | | |
| | M3 - 0.5 x 10mm Screws | 30-40 cN*m |
| | #4 x 0.5 Screws | 30-40 cN*m |