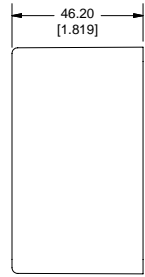
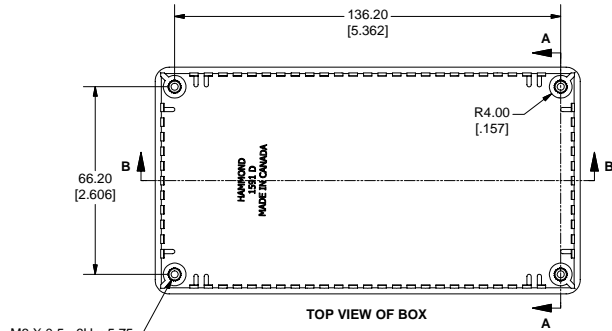


1591DFL Enclosure

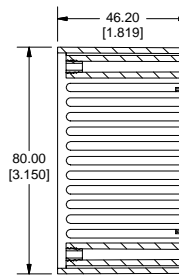


SIDE VIEW OF BOX



TOP VIEW OF BOX

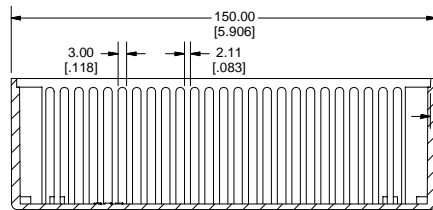
M3 X 0.5 - 6H x 5.75



SECTION A-A

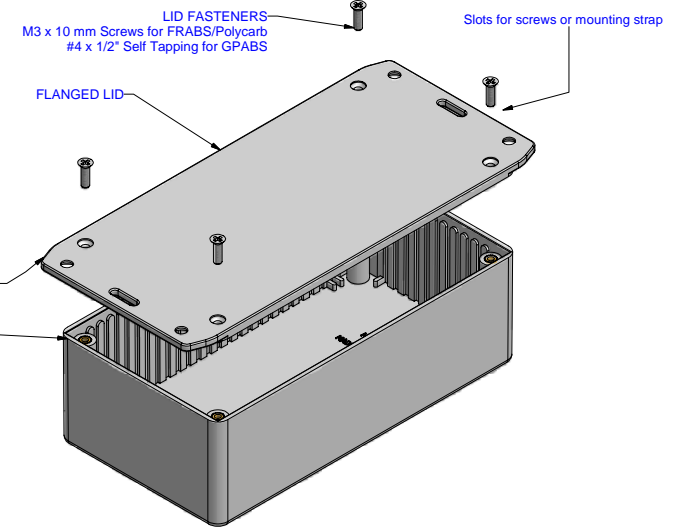
Mounting Holes for #6 - #8 screws (M3.5 - M4.5)

Brass Inserts in FRABS and Polycarb. No inserts in GPABS

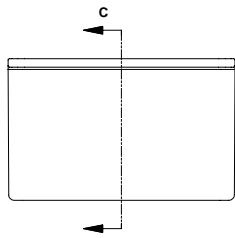


SECTION B-B

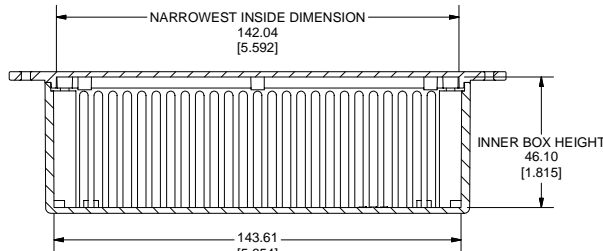
AVERAGE WALL THICKNESS 2.00 [0.079]



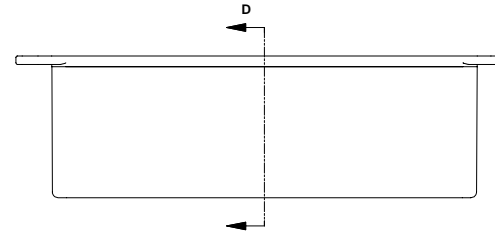
EXPLODED VIEW OF FLANGED ASSEMBLY



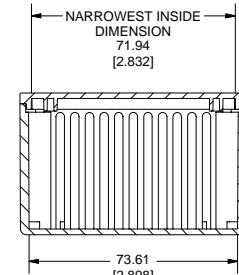
END VIEW OF ENCLOSURE



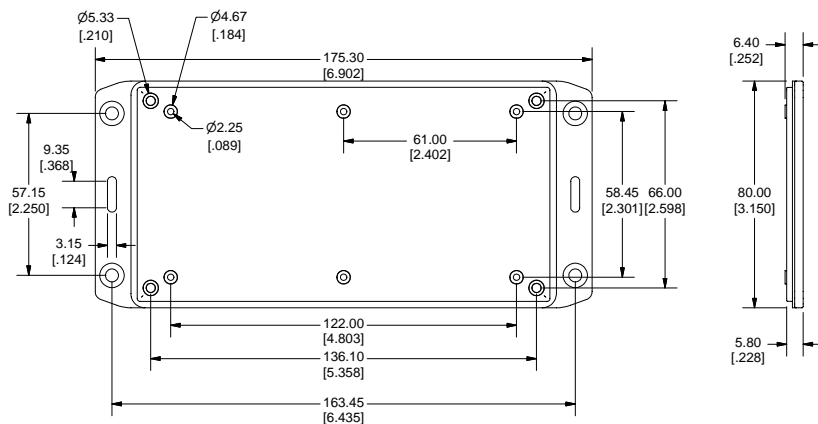
SECTION C-C



SIDE VIEW OF ENCLOSURE



SECTION D-D



Note:

Enclosures can be Factory Modified (Milling, Drilling, Printing etc.)
Solid models of this enclosure available in STEP or IGES Format.
Contact Factory mjm@hammondmfg.com

PART NUMBERS		
1591D Flanged Lid Enclosures		
Material	Colour	Part Number
FRABS UL94	Black	1591DFLBK
- V0	Grey	1591DFLGY
Accessories		
Description	Part Number	
Used with ABS Enclosures	PC Board Card Adapters	See Accessories Section
	Replacement Screws, Flat Head Phillips Nickel Plated Pack of 100.	1591MS100 1591MS100BK (Black)
Recommended Torque on Fasteners (no lubrication)		
	M3 - 0.5 x 10mm Screws	30-40 cN*m
	#4 x 0.5 Screws	30-40 cN*m

