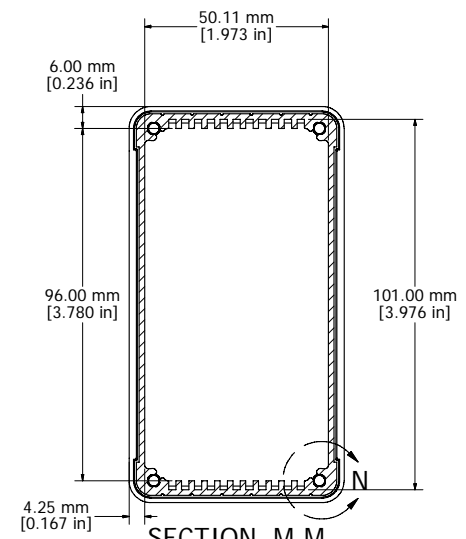
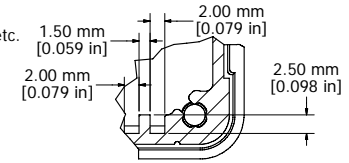


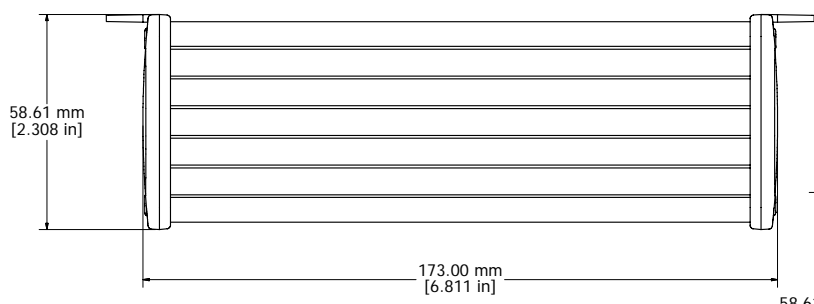
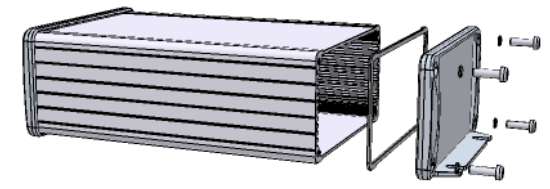
ASSEMBLY - VIEW FROM TOP



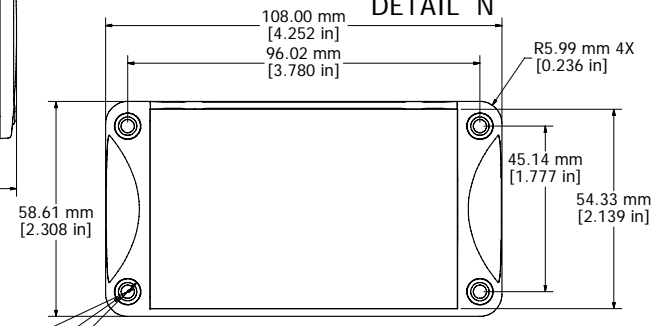
SECTION M-M



DETAIL N



Fits 160mm (6.299") X 100mm (3.937") PCB
 Note: Aluminum extrusion has a tolerance of $-/+ .02"$



END PANEL - VIEW FROM OUTSIDE

- Ø3.60 mm ∇ 8.00 mm 4X
- Ø5.00 mm ∇ 0.60 mm 4X
- Ø7.00 mm ∇ 5.00 mm 4X

PROTECTION TO IP 65

Enclosures can be Factory Modified (Milling, Drilling, Printing etc.)
 Contact Factory mjm@hammondmfg.com for quotes
 Solid models of this enclosure available in STEP or IGES.

| NOTE | |
|--|--------------|
| Purchased assembly includes box, end panels, stainless steel #6 Taptight screws, self adhesive rubber feet, gaskets and O-Rings. | |
| Box made from Extruded Aluminum 6063. | |
| End panels made from Type 380 Diecast Aluminum with a black powder paint finish. | |
| WATERPROOF 1457N1602 | |
| PART NUMBERS | |
| Clear anodized box with black powder painted end panels | 1457N1602 |
| Black powder painted box and end panels | 1457N1602BK |
| EMI/RFI SHIELDED (IP 54) | |
| Clear anodized box with black powder painted end panels | 1457N1602E |
| Black powder painted box and end panels | 1457N1602BKE |
| ACCESSORIES | |
| See website for accessories. | |

**HAMMOND
MANUFACTURING™**
1457N1602
www.hammondmfg.com