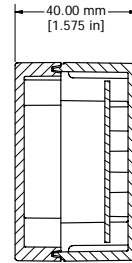
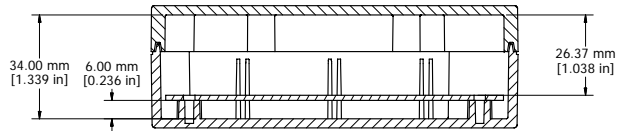
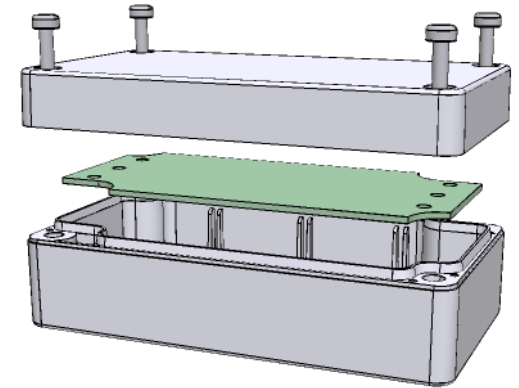


ASSEMBLY

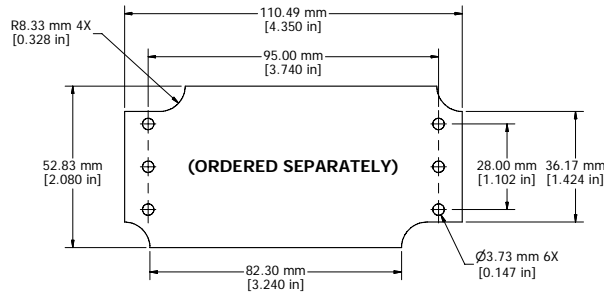


SECTION A-A

**UL** US LISTED  
File #E65324  
NEMA 4, 4X



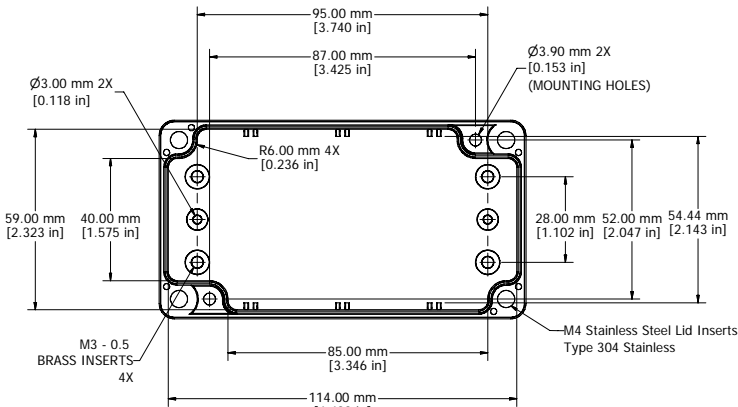
SECTION B-B



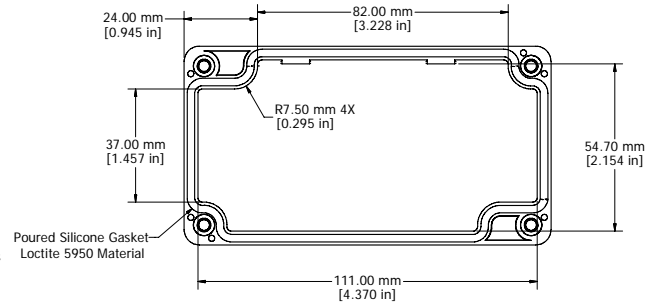
STEEL INNER PANEL

Enclosures can be Factory Modified ( Milling, Drilling, Printing etc. )  
Solid models of this enclosure available in STEP or IGES.  
Contact Factory [mjm@hammondmfg.com](mailto:mjm@hammondmfg.com)

| NOTE  |  |
|---|--|
| Purchased assembly includes box, lid, and 4 cover screws            |  |
| Recommended Cover screw torque -- 2.5 lbf-in (30 cN-m)              |  |
| Polycarbonate version is UL 508 approved Matl UL94 - V0 / 5VA @ 3mm |  |



BOX - INSIDE



LID - INSIDE

| 1554C  |            |
|--|------------|
| 1554C Regular Enclosure  |            |
| General Purpose ABS RAL-7035   | 1554CGY    |
| Polycarbonate RAL-7035   | 1554C2GY   |
| 1554C Clear / Smoke Lid Enclosure  |            |
| Polycarbonate Box / Clear Polycarbonate Lid                                      | 1554C2GYCL |
| Polycarbonate Box / Smoke Polycarbonate Lid                                      | 1554C2GYCL |
| ACCESSORIES  |            |
| Heavy Duty 16 Gauge Galvanized Steel Panels                                      | 1554CPL    |
| Steel Panel / P.C. Board Machine Screw<br>[M3 x 8mm Nickel plated]               | 1591MM100  |
| Steel Panel / P.C. Board Self Tapping Screw<br>[#6 X 1/4" (6.4mm) Nickel Plated] | 1598ATS100 |
| Cover Screws (Pkg 4)<br>[M4 X 20mm Type 304 Stainless Steel]                     | SC1554     |

**HAMMOND MANUFACTURING™**  
1554C  
[www.hammondmfg.com](http://www.hammondmfg.com)