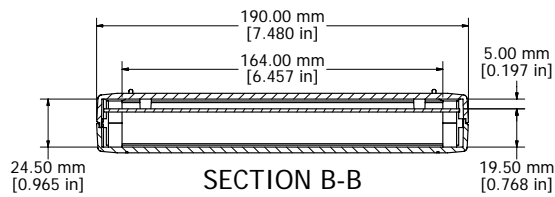
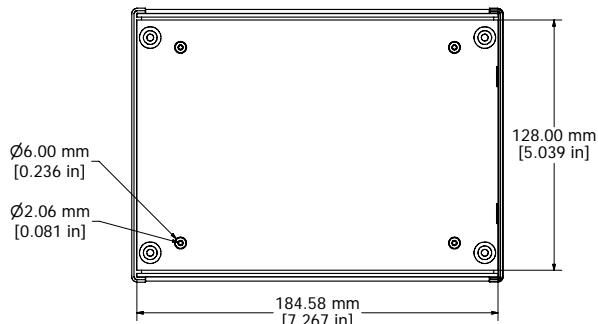


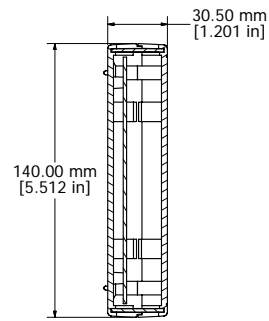
ASSEMBLY - BOTTOM



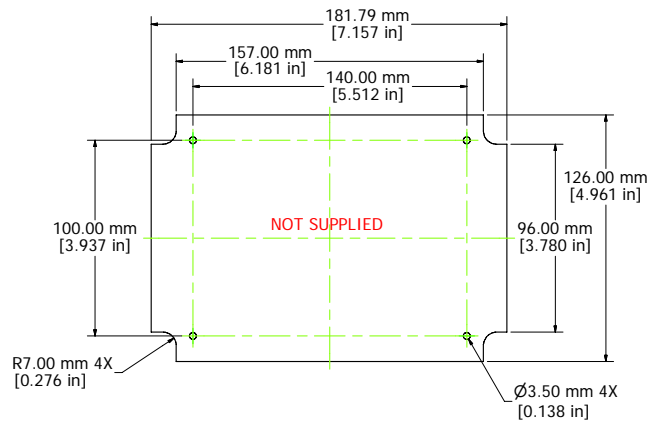
SECTION B-B



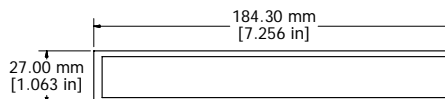
BASE - INSIDE



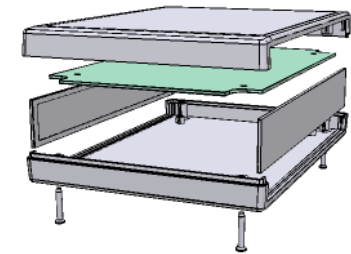
SECTION A-A



INNER PANEL



SIDE PANEL



Enclosures can be Factory Modified ( Milling, Drilling, Printing etc. )  
 Contact Factory [mjm@hammondmfg.com](mailto:mjm@hammondmfg.com) for quotes  
 Solid models of this enclosure available in STEP or IGES.

RM2055S
Material: ABS (UL94-HB), Light Gray color
Lid Screws: M3 x 20
Circuit Board Screws, 4 Supplied (M3 self tap)
Suggested Lid Screw Torque: 30 ozf-in (21 cN-m)



HAMMOND  
 MANUFACTURING™

RM2055S

[www.hammondmfg.com](http://www.hammondmfg.com)