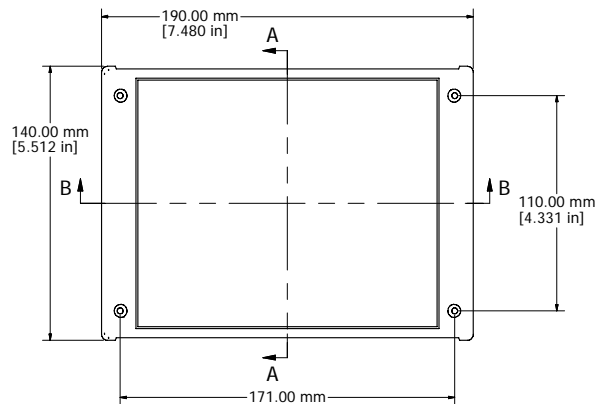
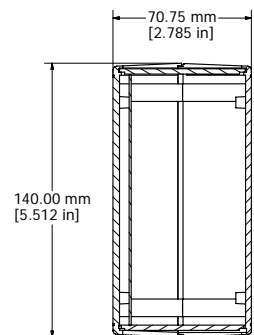


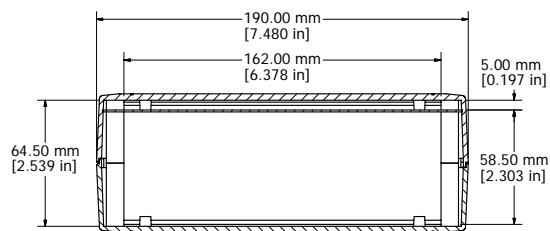
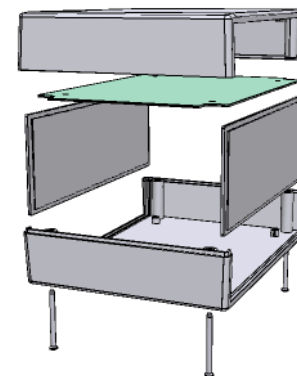
8 7 6 5 4 3 2 1



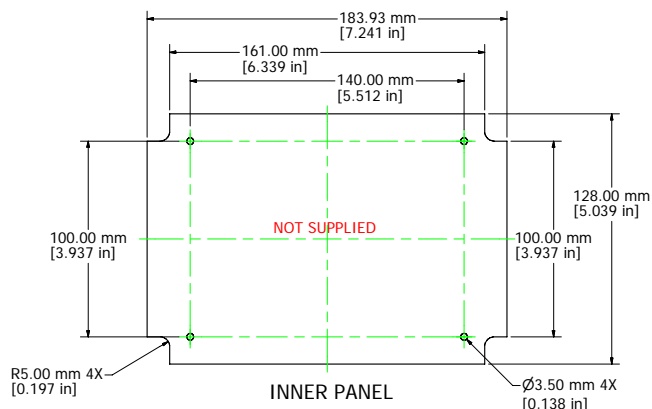
ASSEMBLY - BOTTOM



SECTION A-A



SECTION B-B

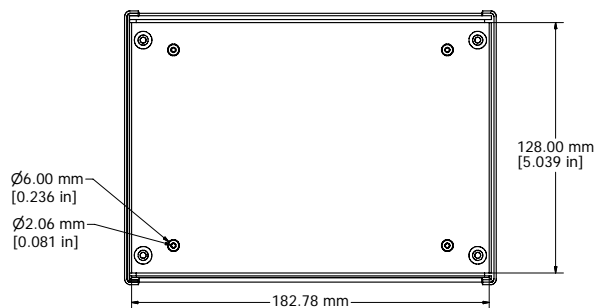


INNER PANEL

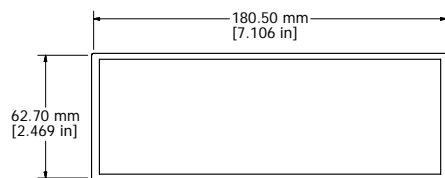
Note:

Enclosures can be Factory Modified ( Milling, Drilling, Printing etc. )  
 Contact Factory [mjm@hammondmfg.com](mailto:mjm@hammondmfg.com) for quotes  
 Solid models of this enclosure available in STEP or IGES Format.

<b>RM2055L</b>
Material: ABS (UL94-HB), Light Gray color
Lid Screws: M3 x 40
Circuit Board Screws, 4 Supplied (M3 self tap)
Suggested Lid Screw Torque: 30 ozf-in (21 cN-m)



BASE - INSIDE



SIDE PANEL



**HAMMOND  
MANUFACTURING™**

**RM2055L**

[www.hammondmfg.com](http://www.hammondmfg.com)

8 7 6 5 4 3 2 1