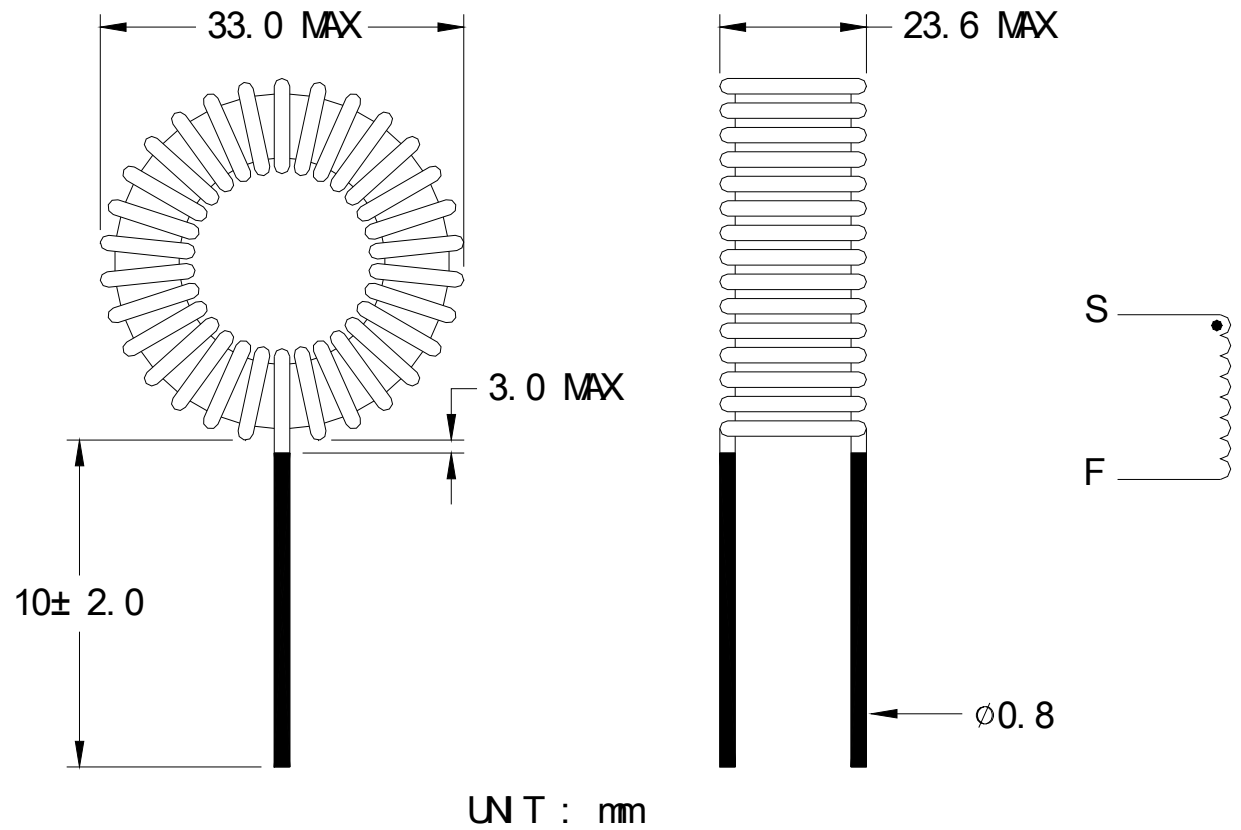


Mechanical Dimension & Schematic



Part No. : 5344-47-LFR

Rev.:

Sample No. : YT-25931

Electrical Specification & Test Report :

Remark :

| Testing Item | Specification | Pin No. | Samples Tested Data |
|--------------|---------------|---------|---------------------|
|--------------|---------------|---------|---------------------|

| | | | Turn: 30Ts TYP. | | | | | | | | | | | |
|---|------------------|-------|-----------------|---|---|---|---|---|---|---|---|----|--|--|
| | | | 1 | 2 | 3 | 4 | 5 | 6 | 7 | 8 | 9 | 10 | | |
| INDUCTANCE @ 10KHz, 0.3Vrms WK3260B | 10.0mH +50%,-20% | S – F | | | | | | | | | | | | |
| | | | | | | | | | | | | | | |
| | | | | | | | | | | | | | | |
| DC RESISTANCE 502AC | < 65.0 mΩ | S – F | | | | | | | | | | | | |
| | | | | | | | | | | | | | | |
| | | | | | | | | | | | | | | |

Materials list :

| Name | Description | UL No. |
|--------|-----------------------------------|---------|
| CORE | MnZn Ferrite Core | N/A |
| WIRE | DD-NYU , 130°C , MW28C | E84081 |
| | LUY, UEY, UEY-2# , 130°C , MW28-C | E174837 |
| SOLDER | Lead free | N/A |

Part No. : 5344-47-LFR

Rev.:

Sample No. : YT-25931