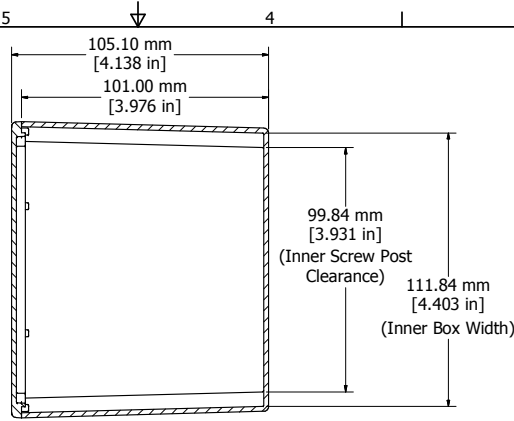
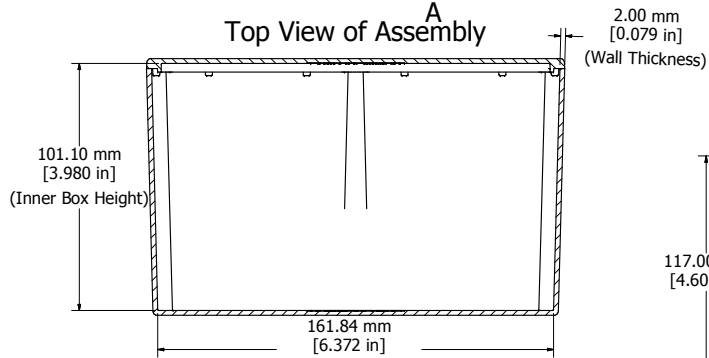


Top View of Assembly

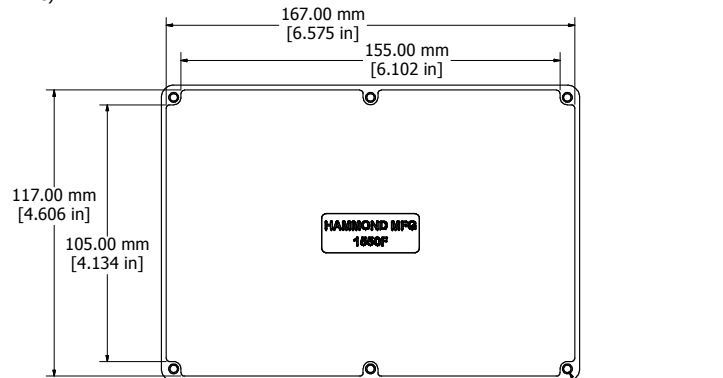


SECTION A-A  
End View of Assembly



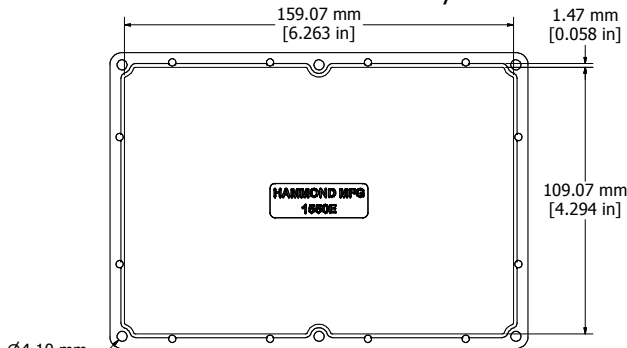
SECTION B-B

Side View of Assembly

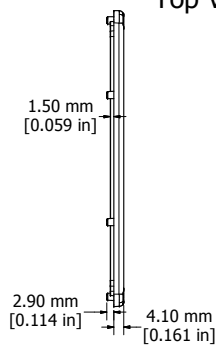


Top View Looking Inside Box

M3.5 x 0.6  
(Threaded Holes)



View Looking Inside Lid



Enclosures can be Factory Modified ( Milling, Drilling, Printing etc. )  
Contact Factory [mjm@hammondmfg.com](mailto:mjm@hammondmfg.com) for quotes  
Solid models of this enclosure available in STEP or IGES.

NOTE	
Purchased assembly includes box, lid, and 6 cover screws.	
Box and lid are made from Diecast Aluminum Alloy.	
EVA Foam Gasket supplied with Liquid Resistant Enclosures	

PART NUMBERS	
<b>1550F Enclosure</b>	
Unfinished	1550F
Black Textured Polyester Powder Paint	1550FBK
1550WF Liquid Resistant Enclosure (Silicon Factory Installed Gasket)	
Unfinished	1550WF
Black Textured Polyester Powder Paint	1550WFBK
<b>Accessories</b>	
Recommended Torque: 75 ozf.in / 55 cN.m	
Unfinished Cover Screws (Pkg 100) [M3.5 x 0.6 18-8 SS]	1550MS100
Black Cover Screws (Pkg 100) [M3.5 x 0.6 18-8 SS]	1550MS100BK

