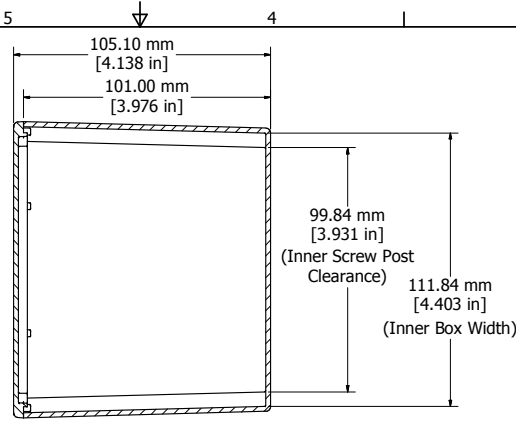
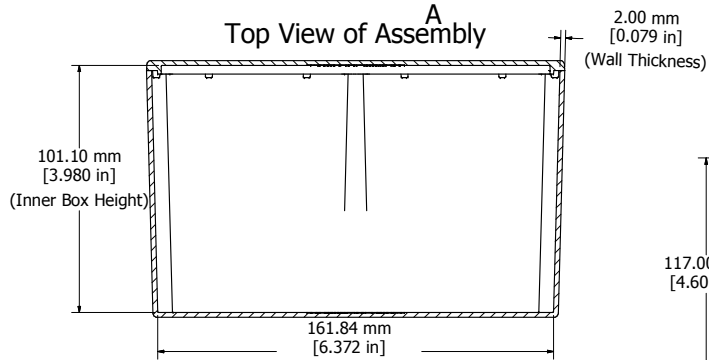


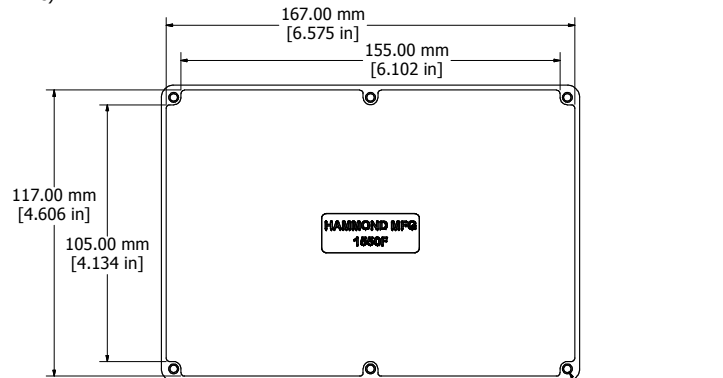
Top View of Assembly



SECTION A-A  
End View of Assembly

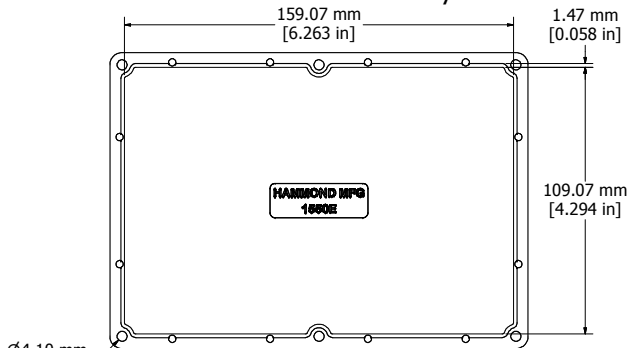


SECTION B-B  
Side View of Assembly

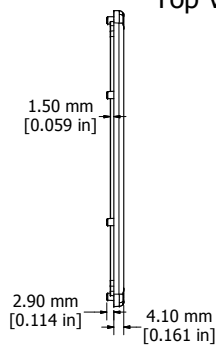


Top View Looking Inside Box

M3.5 x 0.6  
(Threaded Holes)



View Looking Inside Lid



Enclosures can be Factory Modified ( Milling, Drilling, Printing etc. )  
Contact Factory [mjm@hammondmfg.com](mailto:mjm@hammondmfg.com) for quotes  
Solid models of this enclosure available in STEP or IGES.

| NOTE  |  |
|---|--|
| Purchased assembly includes box, lid, and 6 cover screws. |  |
| Box and lid are made from Diecast Aluminum Alloy.         |  |
| EVA Foam Gasket supplied with Liquid Resistant Enclosures |  |

| PART NUMBERS   |             |
|--|-------------|
| 1550F Enclosure  |             |
| Unfinished   | 1550F       |
| Black Textured Polyester Powder Paint                                | 1550FBK     |
| 1550WF Liquid Resistant Enclosure (Silicon Factory Installed Gasket) |             |
| Unfinished   | 1550WF      |
| Black Textured Polyester Powder Paint                                | 1550WFBK    |
| Accessories  |             |
| Recommended Torque: 75 ozf.in / 55 cN.m                              |             |
| Unfinished Cover Screws (Pkg 100)<br>[M3.5 x 0.6 18-8 SS]            | 1550MS100   |
| Black Cover Screws (Pkg 100)<br>[M3.5 x 0.6 18-8 SS]                 | 1550MS100BK |

