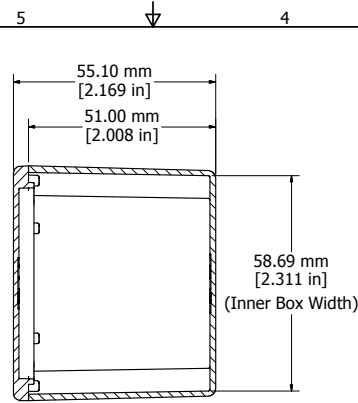
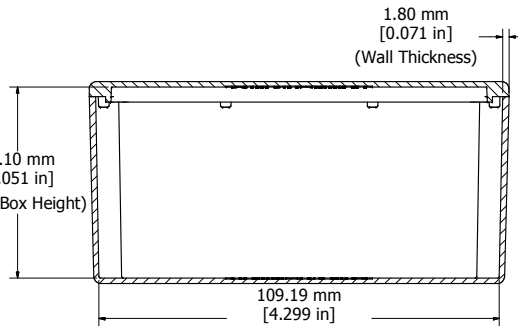


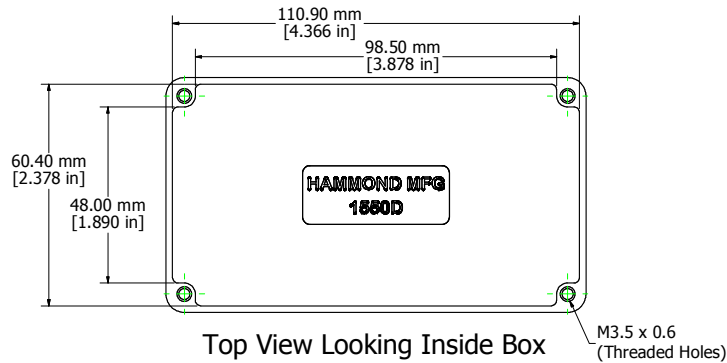
Top View of Assembly



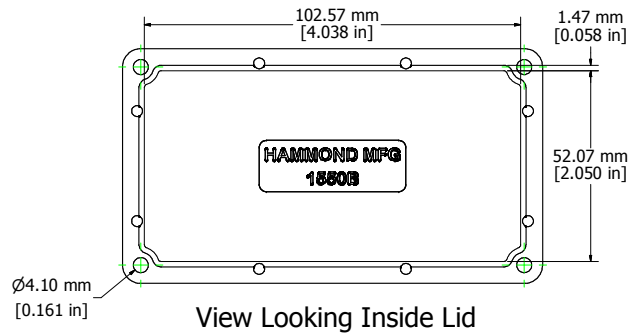
SECTION B-B
End View of Assembly



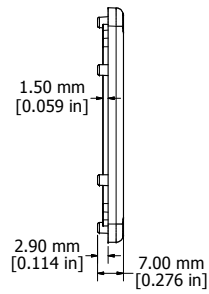
SECTION A-A
Side View of Assembly



Top View Looking Inside Box



View Looking Inside Lid



Enclosures can be Factory Modified (Milling, Drilling, Printing etc.)
Contact Factory mjm@hammondmfg.com for quotes
Solid models of this enclosure available in STEP or IGES.

| NOTE | |
|-----------------------------------------------------------|--|
| Purchased assembly includes box, lid, and 4 cover screws. | |
| Box and lid are made from Diecast Aluminum Alloy. | |
| EVA Foam Gasket supplied with Liquid Resistant Enclosures | |

| PART NUMBERS | |
|-----------------------------------------------------------|-----------|
| 1550D Enclosure | |
| Unfinished | 1550D |
| Black Textured Polyester Powder Paint | 1550DBK |
| 1550WD Liquid Resistant Enclosure | |
| Unfinished | 1550WD |
| Black Textured Polyester Powder Paint | 1550WDBK |
| Accessories | |
| Recommended Torque: 75 ozf.in / 55 cN.m | |
| Unfinished Cover Screws (Pkg 100) [M3.5 x 0.6 18-8 SS] | 1550MS100 |

1550WD
www.hammondmfg.com