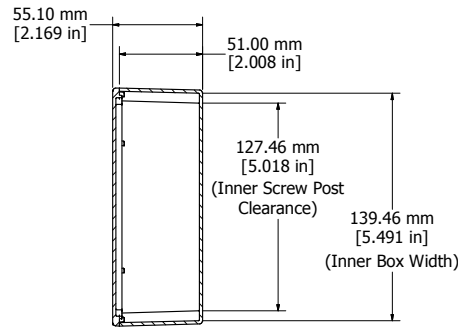
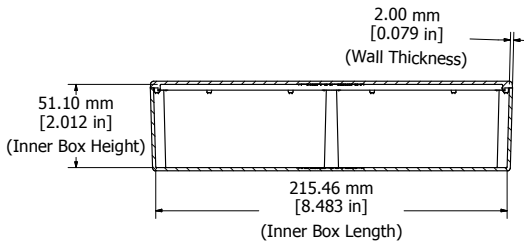
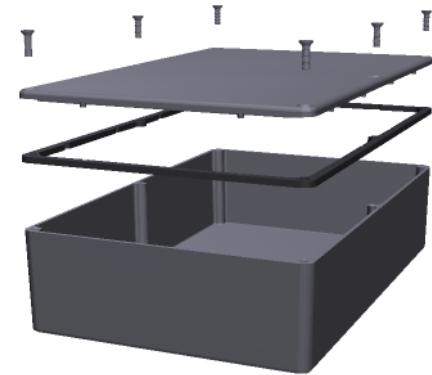


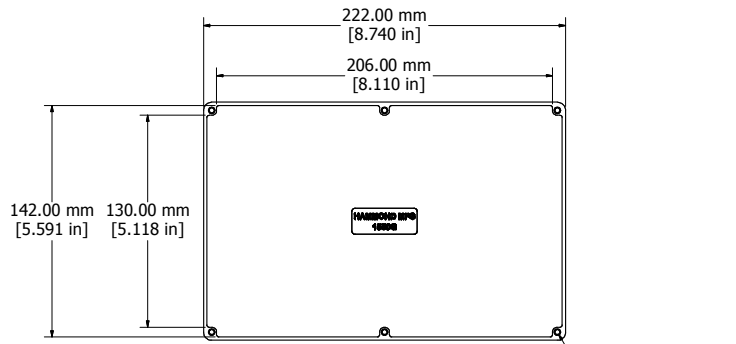
Top View of Assembly



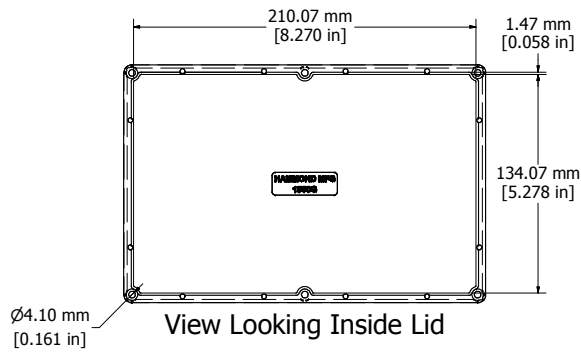
SECTION A-A
End View of Assembly



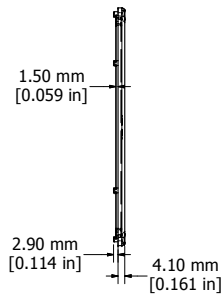
SECTION B-B
Side View Of Assembly



Top View Looking Inside Box



View Looking Inside Lid



Enclosures can be Factory Modified (Milling, Drilling, Printing etc.)
Contact Factory mjm@hammondmfg.com for quotes
Solid models of this enclosure available in STEP or IGES.

NOTE	
Purchased assembly includes box, lid, and 6 cover screws. Box and lid are made from Diecast Aluminum Alloy. EVA Foam Gasket supplied with Liquid Resistant Enclosures	
PART NUMBERS	
1550G Enclosure	
Unfinished	1550G
Black Textured Polyester Powder Paint	1550GBK
1550WG Liquid Resistant Enclosure	
Unfinished	1550WG
Black Textured Polyester Powder Paint	1550WGBK
Accessories	
Recommended Torque: 75 ozf.in / 55 cN.m	
Unfinished Cover Screws (Pkg 100) [M3.5 x 0.6 18-8 SS]	1550MS100

1550WG
www.hammondmfg.com