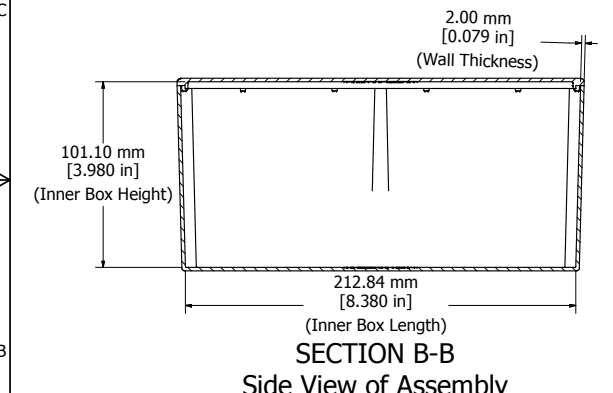
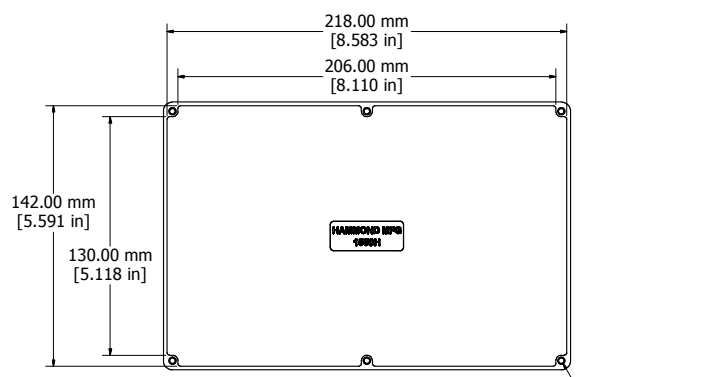


Top View of Assembly

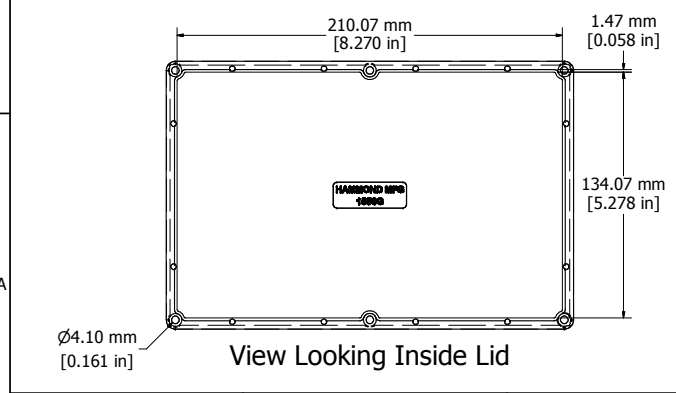
SECTION A-A  
End View of Assembly



SECTION B-B  
Side View of Assembly



Top View Looking Inside Box



View Looking Inside Lid

Enclosures can be Factory Modified ( Milling, Drilling, Printing etc. )  
Contact Factory [mjm@hammondmfg.com](mailto:mjm@hammondmfg.com) for quotes  
Solid models of this enclosure available in STEP or IGES.

NOTE	
Purchased assembly includes box, lid, and 6 cover screws. Box and lid are made from Diecast Aluminum Alloy. EVA Foam Gasket supplied with Liquid Resistant Enclosures	
PART NUMBERS	
1550H Enclosure	
Unfinished	1550H
Black Textured Polyester Powder Paint	1550HBK
1550WH Liquid Resistant Enclosure	
Unfinished	1550WH
Black Textured Polyester Powder Paint	1550WHBK
Accessories	
Recommended Torque: 75 ozf.in / 55 cN.m	
Unfinished Cover Screws (Pkg 100) [M3.5 x 0.6 18-8 SS]	1550MS100

**HAMMOND MANUFACTURING™**  
**1550WH**  
[www.hammondmfg.com](http://www.hammondmfg.com)