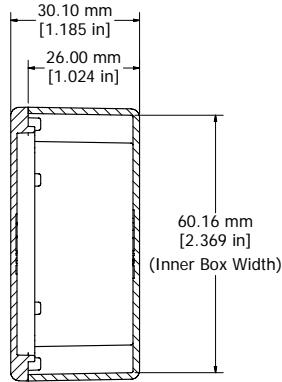
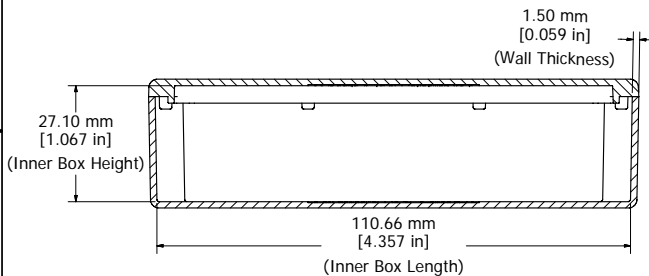
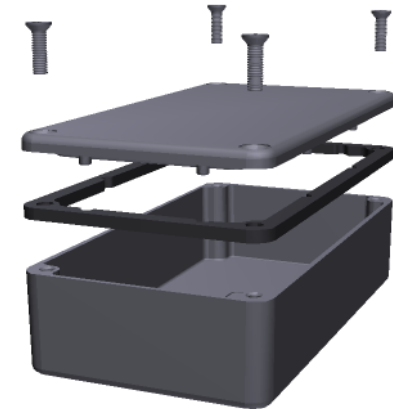


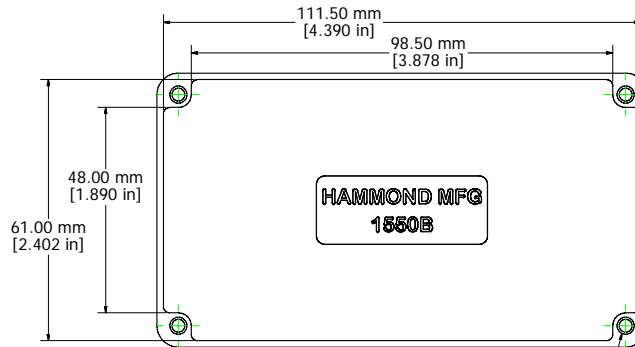
Top View of Assembly



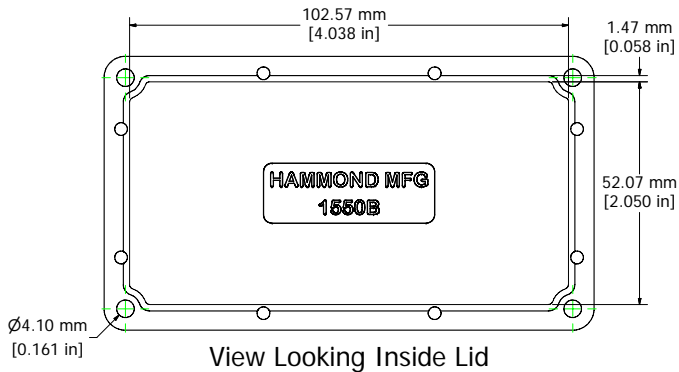
SECTION B-B  
End View of Assembly



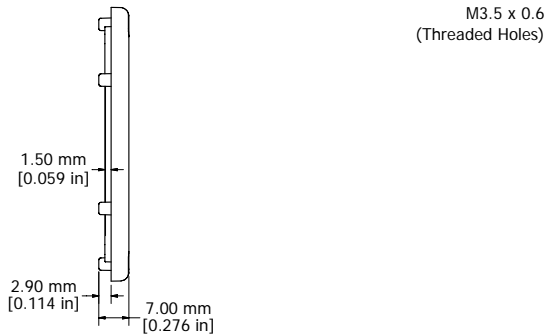
SECTION A-A  
Side View of Assembly



Top View Looking Inside Box



View Looking Inside Lid



Enclosures can be Factory Modified ( Milling, Drilling, Printing etc. )  
Contact Factory [mjm@hammondmfg.com](mailto:mjm@hammondmfg.com) for quotes  
Solid models of this enclosure available in STEP or IGES.

NOTE	
Purchased assembly includes box, lid, and 4 cover screws. Box and lid are made from Diecast Aluminum Alloy. EVA Foam Gasket supplied with Liquid Resistant Enclosures	
PART NUMBERS	
1550B Enclosure	
Unfinished	1550B
Black Textured Polyester Powder Paint	1550BBK
1550WB Liquid Resistant Enclosure	
Unfinished	1550WB
Black Textured Polyester Powder Paint	1550WBK
Accessories	
Recommended Torque: 75 ozf.in / 55 cN.m	
Unfinished Cover Screws (Pkg 100) [M3.5 x 0.6 18-8 SS]	1550MS100



**HAMMOND  
MANUFACTURING™**

**1550WB**

[www.hammondmfg.com](http://www.hammondmfg.com)