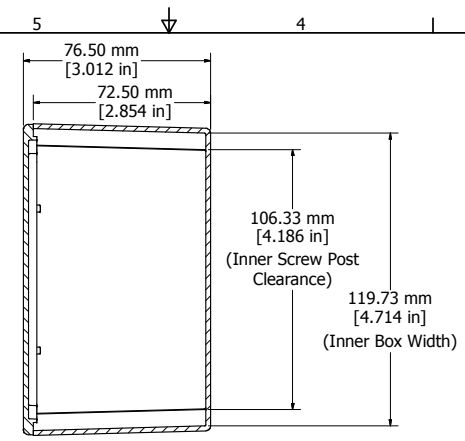
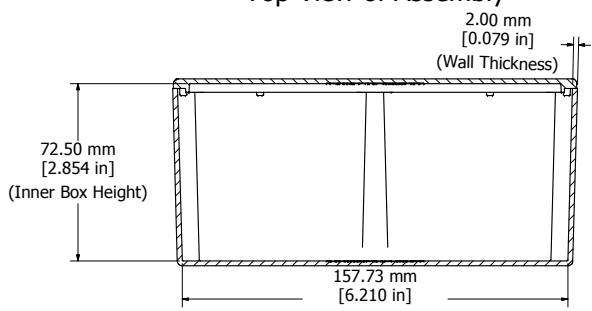
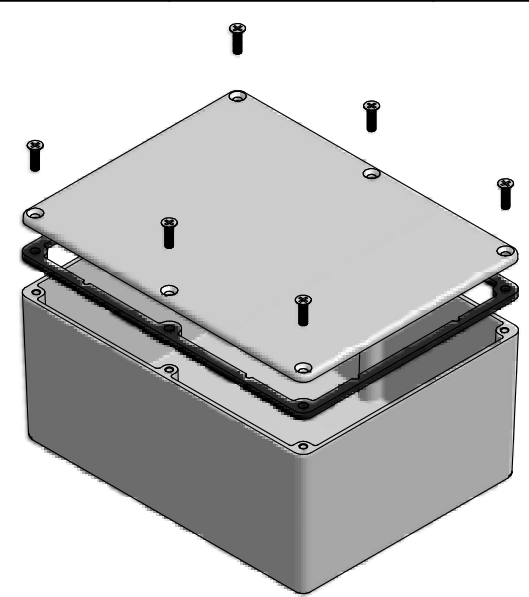


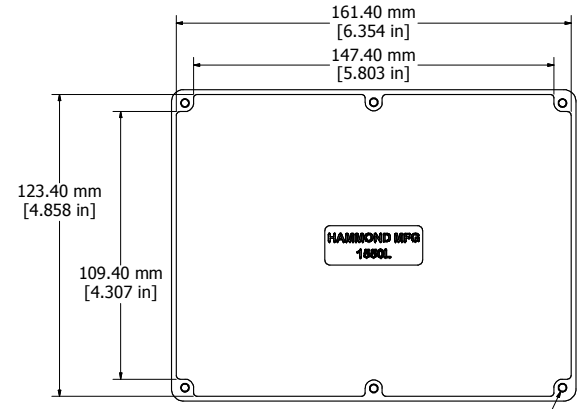
Top View of Assembly



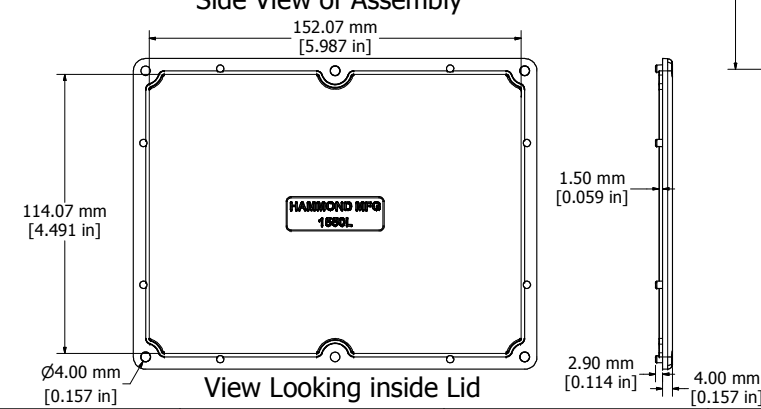
SECTION A-A  
End View of Assembly



SECTION B-B  
Side View of Assembly



Top View Looking Inside Box



View Looking inside Lid

Enclosures can be Factory Modified ( Milling, Drilling, Printing etc. )  
Contact Factory [mjm@hammondmfg.com](mailto:mjm@hammondmfg.com) for quotes  
Solid models of this enclosure available in STEP or IGES.

**NOTE**  
Purchased assembly includes box, lid, and 6 cover screws.  
Box and lid are made from Diecast Aluminum Alloy.  
EVA Foam Gasket supplied with Liquid Resistant Enclosures

PART NUMBERS	
<b>1550L Enclosure</b>	
Unfinished	1550L
Black Textured Polyester Powder Paint	1550LBK
<b>1550WL Liquid Resistant Enclosure (Silicon Factory Installed Gasket)</b>	
Unfinished	1550WL
Black Textured Polyester Powder Paint	1550WLBK
<b>Accessories</b>	
Recommended Torque: 75 ozf.in / 55 cN.m	
Unfinished Cover Screws (Pkg 100) [M3.5 x 0.6 18-8 SS]	1550MS100
Black Cover Screws (Pkg 100) [M3.5 x 0.6 18-8 SS]	1550MS100BK

**HAMMOND MANUFACTURING™**  
**1550WL**  
[www.hammondmfg.com](http://www.hammondmfg.com)