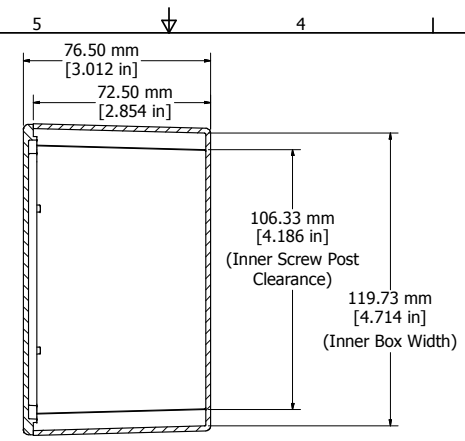
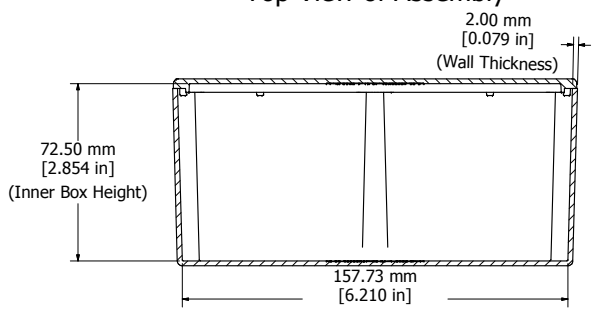
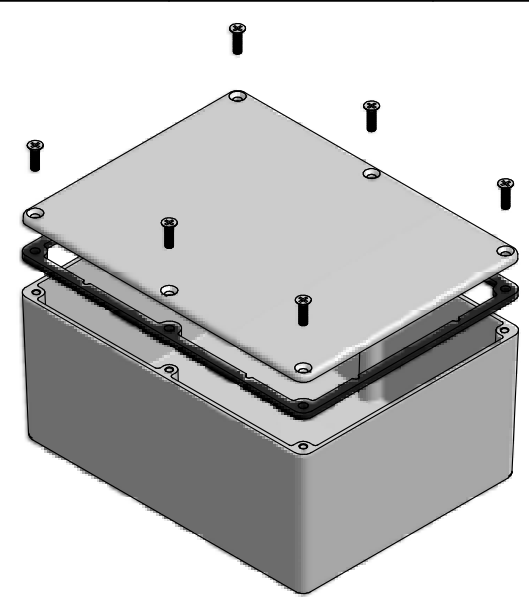


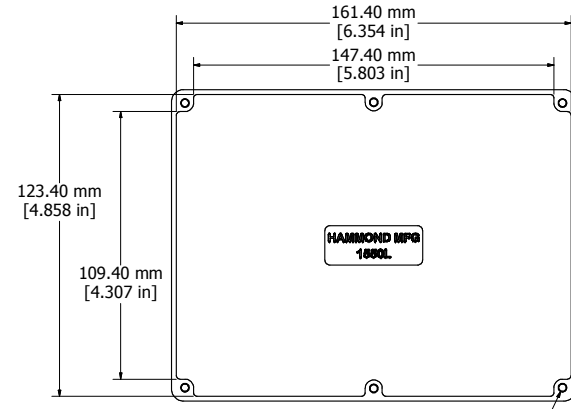
Top View of Assembly



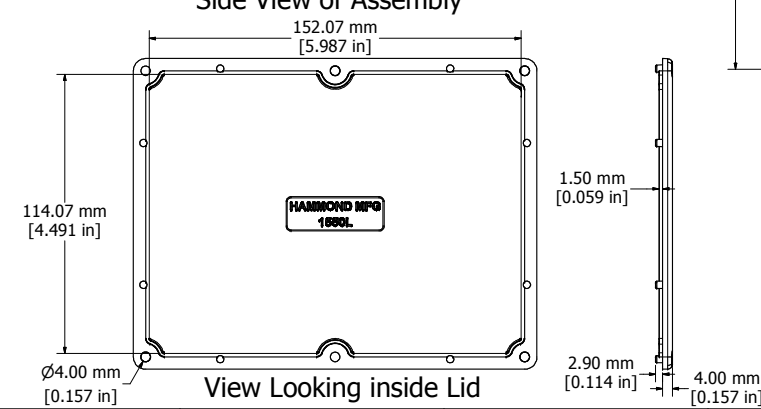
SECTION A-A
End View of Assembly



SECTION B-B
Side View of Assembly



Top View Looking Inside Box



View Looking inside Lid

Enclosures can be Factory Modified (Milling, Drilling, Printing etc.)
Contact Factory mjm@hammondmfg.com for quotes
Solid models of this enclosure available in STEP or IGES.

NOTE
Purchased assembly includes box, lid, and 6 cover screws.
Box and lid are made from Diecast Aluminum Alloy.
EVA Foam Gasket supplied with Liquid Resistant Enclosures

PART NUMBERS	
1550L Enclosure	
Unfinished	1550L
Black Textured Polyester Powder Paint	1550LBK
1550WL Liquid Resistant Enclosure (Silicon Factory Installed Gasket)	
Unfinished	1550WL
Black Textured Polyester Powder Paint	1550WLBK
Accessories	
Recommended Torque: 75 ozf.in / 55 cN.m	
Unfinished Cover Screws (Pkg 100) [M3.5 x 0.6 18-8 SS]	1550MS100
Black Cover Screws (Pkg 100) [M3.5 x 0.6 18-8 SS]	1550MS100BK

HAMMOND MANUFACTURING™
1550WL
www.hammondmfg.com