

Enclosure KLIPPON K21 RAL7001

Weidmüller Interface GmbH & Co. KG
 Klingenbergstraße 16
 D-32758 Detmold
 Germany
 Fon: +49 5231 14-0
 Fax: +49 5231 14-292083
 www.weidmueller.com



For many years, the name Klippon® has stood for competence and quality in enclosures. The enclosures are ideal for turnkey customised solutions for standard industrial applications and for explosive-risk applications.

Improved products that meet all application requirements: this was Weidmüller's aim during the update of the Klippon® K housing series. Weidmüller delivers many types of aluminium enclosures; they are designed to fit precisely with a wide range of customer requirements and applications.

Our comprehensive product line provides the following advantages:

- Available in two different surfaces: natural and powder-coated (RAL 7001)
- Available normally with silicone or chloroprene gasket seal
- A uniform Torx-slotted screw head is used for over 19 different housing sizes.
- Mounting holes not within the sealed area
- High degree of protection: IP66, IP67 and IP68
- Impact resistance of up to 10 Joules
- The housings are certified by ATEX, GOST, GOST Ex, cULus, Russian Maritime Register, German Lloyd, as well as the empty housing standard.
- Alloy is resistant to salt water

- Standardised distributor housings with threaded holes and a variety of terminal configurations

General ordering data

Order No.	9529150000
Type	KLIPPON K21 RAL7001
Version	Enclosures, Aluminium AlSi12, 80 mm, 57 mm, 125 mm
GTIN (EAN)	4008190918057
Qty.	5 pc(s).

Enclosure KLIPPON K21 RAL7001

Weidmüller Interface GmbH & Co. KG
 Klingenbergstraße 16
 D-32758 Detmold
 Germany
 Fon: +49 5231 14-0
 Fax: +49 5231 14-292083
 www.weidmueller.com

Technical data

Dimensions and weights

Length	57 mm	Width	125 mm
Height	80 mm	Mounting dimension - width	113 mm
Mounting dimension - height	52 mm	Weight	400 g
Net weight	466 g		

Cable glands, left

M12 (3)	2	M16 (3)	2
M20 (3)	1		

Cable glands, right

M12 (2)	2	M16 (2)	2
M20 (2)	1	Side of enclosure	left, right

Cable glands, top/bottom

M12	6	M16	4
M20	3	M25	2
Side of enclosure	left, right		

General information

Areas of use	Process industry, Transportation, Marine engineering, Packaging industry, Harbour facilities, Machine construction	Material	Aluminium AISi12
Seal material	Neoprene	Surface finish	textured
Colour code	RAL 7001	Operating temperature, min.	-40 °C
Operating temperature, max.	85 °C	Impact resistance	10.00 J
Protection degree	IP 66, IP 67, IP 68	Note: protection class	IP68 (t=72h, h=1m)
Enclosure attachment	Holes 4 mm	Cover attachment	M4 torx stainless steel screws with slot
Integral fixing	Threaded holes M4		

horizontal assembly

WDU 2,5 / ZDU 2,5 / IDU 2,5	1x15	WDU 4 / ZDU 4	1x12
-----------------------------	------	---------------	------

vertical assembly

WDU 2,5 / ZDU 2,5 / IDU 2,5 (2)	*	WDU 4 / ZDU 4 (2)	*
---------------------------------	---	-------------------	---

Classifications

ETIM 2.0	EC000058	ETIM 3.0	EC000058
UNSPSC	31-26-15-02	eClass 4.1	27-14-12-06
eClass 5.1	27-14-91-07	eClass 6.0	27-14-91-07
eClass 7.0	27-14-91-07		

Test certificates

Certificate No. (GERMLLOYD)	44536-07	Certificate No. (MARITREG)	09.04040.250
Certificate no. (cULus)	E197061VOL2SEC1		

Creation date November 19, 2012 2:32:00 PM CET

Data sheet...

**Enclosure
KLIPPON K21 RAL7001**

Weidmüller Interface GmbH & Co. KG
Klingenbergstraße 16
D-32758 Detmold
Germany
Fon: +49 5231 14-0
Fax: +49 5231 14-292083
www.weidmueller.com

Technical data

Approvals

Approvals

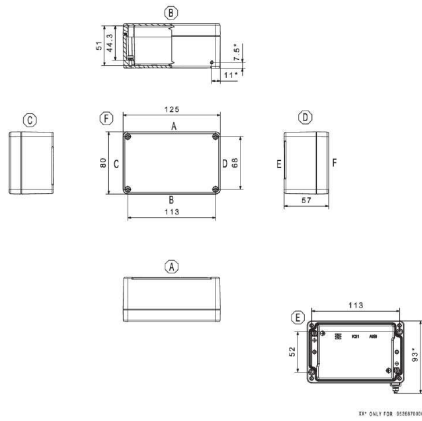


Data sheet...

**Enclosure
KLIPPON K21 RAL7001**

Weidmüller Interface GmbH & Co. KG
Klingenbergstraße 16
D-32758 Detmold
Germany
Fon: +49 5231 14-0
Fax: +49 5231 14-292083
www.weidmueller.com

Drawings



**Enclosure
KLIPPON K21 RAL7001**

Weidmüller Interface GmbH & Co. KG
Klingenbergstraße 16
D-32758 Detmold
Germany
Fon: +49 5231 14-0
Fax: +49 5231 14-292083
www.weidmueller.com

Accessories**114 mm (K21)**

Mounting rails are available in widths of 15 and 35 mm. They are cut to fit the various housing sizes. Three mounting plates are also available as an alternative to the mounting rail for small and flat housings.

General ordering data

Order No.	Type	Version	GTIN (EAN)	Qty.
1910020000	TS15 114 Klippon K21 CSS	Mounting rail, 114 mm	4032248536931	1 pc(s).