

## Enclosure KLIPPON K31 RAL7001

**Weidmüller Interface GmbH & Co. KG**  
 Klingenbergstraße 16  
 D-32758 Detmold  
 Germany  
 Fon: +49 5231 14-0  
 Fax: +49 5231 14-292083  
 www.weidmueller.com



For many years, the name Klippon® has stood for competence and quality in enclosures. The enclosures are ideal for turnkey customised solutions for standard industrial applications and for explosive-risk applications.

Improved products that meet all application requirements: this was Weidmüller's aim during the update of the Klippon® K housing series. Weidmüller delivers many types of aluminium enclosures; they are designed to fit precisely with a wide range of customer requirements and applications.

Our comprehensive product line provides the following advantages:

- Available in two different surfaces: natural and powder-coated (RAL 7001)
- Available normally with silicone or chloroprene gasket seal
- A uniform Torx-slotted screw head is used for over 19 different housing sizes.
- Mounting holes not within the sealed area
- High degree of protection: IP66, IP67 and IP68
- Impact resistance of up to 10 Joules
- The housings are certified by ATEX, GOST, GOST Ex, cULus, Russian Maritime Register, German Lloyd, as well as the empty housing standard.
- Alloy is resistant to salt water

- Standardised distributor housings with threaded holes and a variety of terminal configurations

### General ordering data

Order No.	<a href="#">9529170000</a>
Type	KLIPPON K31 RAL7001
Version	Enclosures, Aluminium AlSi12, 80 mm, 57 mm, 175 mm
GTIN (EAN)	4008190918071
Qty.	5 pc(s).

**Enclosure  
KLIPPON K31 RAL7001**

**Weidmüller Interface GmbH & Co. KG**  
 Klingenbergstraße 16  
 D-32758 Detmold  
 Germany  
 Fon: +49 5231 14-0  
 Fax: +49 5231 14-292083  
 www.weidmueller.com

**Technical data****Dimensions and weights**

Length	57 mm	Width	175 mm
Height	80 mm	Mounting dimension - width	163 mm
Mounting dimension - height	52 mm	Weight	520 g
Net weight	576.6 g		

**Cable glands, left**

M12 (3)	2	M20 (3)	1
---------	---	---------	---

**Cable glands, right**

M12 (2)	2	M16 (2)	2
M20 (2)	1	Side of enclosure	left, right

**Cable glands, top/bottom**

M12	9	M16	6
M20	4	M25	3
Side of enclosure	left, right		

**General information**

Areas of use	Process industry, Transportation, Marine engineering, Packaging industry, Harbour facilities, Machine construction	Material	Aluminium AlSi12
Seal material	Neoprene	Surface finish	textured
Colour code	RAL 7001	Operating temperature, min.	-40 °C
Operating temperature, max.	85 °C	Impact resistance	10.00 J
Protection degree	IP 66, IP 67, IP 68	Note: protection class	IP68 (t=72h, h=1m)
Enclosure attachment	Holes 4 mm	Cover attachment	M4 torx stainless steel screws with slot
Integral fixing	Threaded holes M4		

**horizontal assembly**

WDU 2,5 / ZDU 2,5 / IDU 2,5	1x23	WDU 4 / ZDU 4	1x19
-----------------------------	------	---------------	------

**vertical assembly**

WDU 2,5 / ZDU 2,5 / IDU 2,5 (2)	*	WDU 4 / ZDU 4 (2)	*
---------------------------------	---	-------------------	---

**Classifications**

ETIM 2.0	EC000058	ETIM 3.0	EC000058
UNSPSC	31-26-15-02	eClass 4.1	27-14-12-06
eClass 5.1	27-14-91-07	eClass 6.0	27-14-91-07
eClass 7.0	27-14-91-07		

**Test certificates**

Certificate No. (GERMLLOYD)	44536-07	Certificate No. (MARITREG)	09.04040.250
Certificate no. (cULus)	E197061VOL2SEC1		

**Data sheet...**

**Enclosure  
KLIPPON K31 RAL7001**

**Weidmüller Interface GmbH & Co. KG**  
Klingenbergstraße 16  
D-32758 Detmold  
Germany  
Fon: +49 5231 14-0  
Fax: +49 5231 14-292083  
www.weidmueller.com

**Technical data**

**Approvals**

Approvals

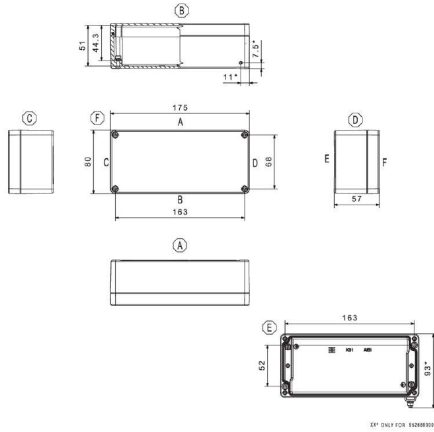


**Data sheet...**

**Enclosure  
KLIPPON K31 RAL7001**

**Weidmüller Interface GmbH & Co. KG**  
Klingenbergstraße 16  
D-32758 Detmold  
Germany  
Fon: +49 5231 14-0  
Fax: +49 5231 14-292083  
www.weidmueller.com

**Drawings**



**Enclosure  
KLIPPON K31 RAL7001**

**Weidmüller Interface GmbH & Co. KG**  
Klingenbergstraße 16  
D-32758 Detmold  
Germany  
Fon: +49 5231 14-0  
Fax: +49 5231 14-292083  
www.weidmueller.com

**Accessories****164 mm (K31)**

Mounting rails are available in widths of 15 and 35 mm. They are cut to fit the various housing sizes. Three mounting plates are also available as an alternative to the mounting rail for small and flat housings.

**General ordering data**

Order No.	Type	Version	GTIN (EAN)	Qty.
<a href="#">1910040000</a>	TS15 164 Klippon K31 CSS	Mounting rail, 164 mm	4032248536955	1 pc(s).