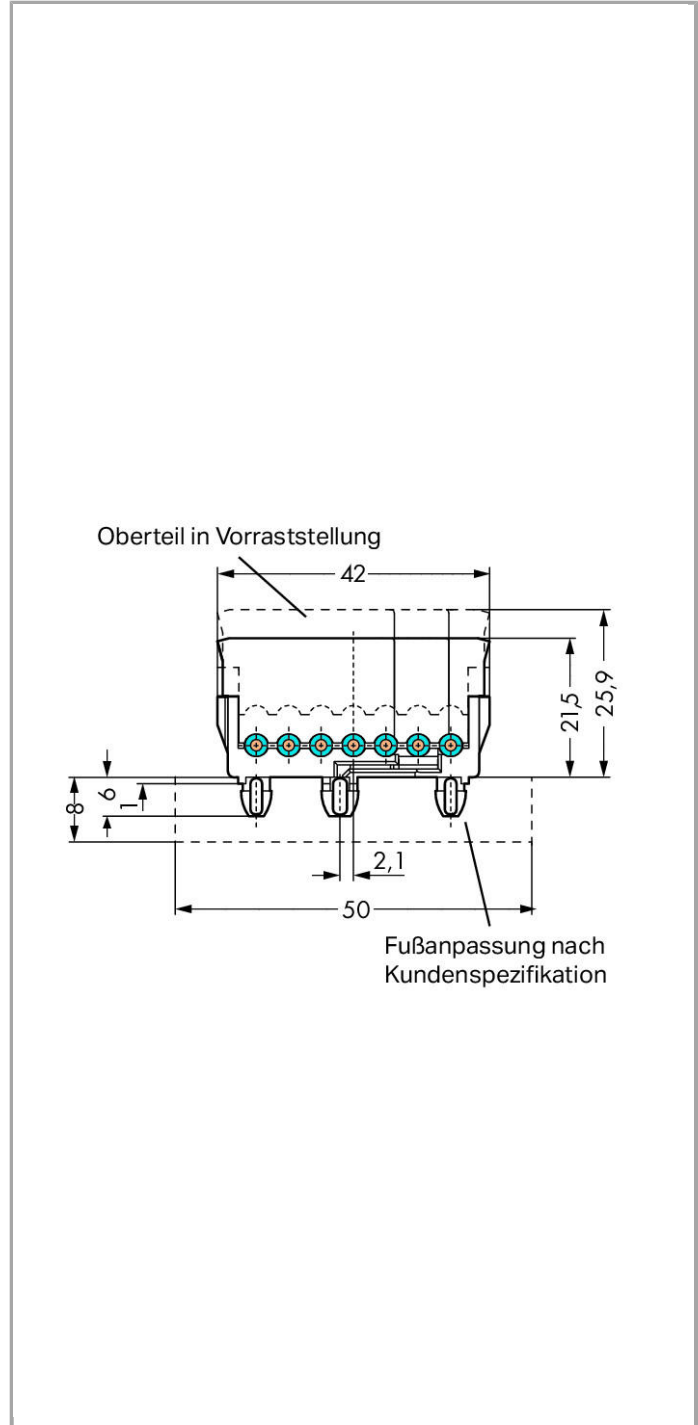


Data sheet | Item number: 267-412

Conductor support; with snap-in mounting feet; 7-pole; Bottom part

www.wago.com/267-412



Item description

—

- Flexible, modular 5- to 11-pole connector system
- Future system expansions possible
- Compact design

Data

Electrical data

Ratings per IEC/EN 60664-1

Rated voltage (III / 2)	500 V
Rated impulse voltage (III / 2)	4 kV
Rated current	6 A
Legend (ratings)	(III / 2) ≙ Overvoltage category III / Pollution degree 2

Connection data

Connection technology	IDC
Solid conductor	1.5 ... 2.5 mm ² / ...
Number of connection types	1
Number of levels	1

Geometrical Data

Width	40 mm / 1.575 inch
Height from the surface	21.5 mm / 0.846 inch
Depth	42 mm / 1.654 inch

Material Data

Color	white
Material group	I
Insulating material	Polyamide 66 (PA 66)
Flammability class per UL94	V0
Clamping spring material	Chrome nickel spring steel (CrNi)
Contact material	Electrolytic copper (Ecu)
Contact plating	tin-plated
Fire load	0.143 MJ
Weight	4.93 g

Environmental Requirements



Temperature stability	105 °C
-----------------------	--------

Commercial data

Packaging type	bag
Country of origin	CN
GTIN	4050821830290
Customs Tariff No.	39269097900
Product Group	8 (Misc. Chassis Mount Blocks)

Approvals / Certificates

Country specific Approvals

Logo	Approval	Certificate name
	CCA DEKRA Certification B.V.	NL-47718
	KEMA/KEUR DEKRA Certification B.V.	71-100641
	VDE VDE Prüf- und Zertifizierungsinstitut	40032309

Downloads smartDATA

CAD data

3D Download 267-412	URL	Download

Subject to changes.