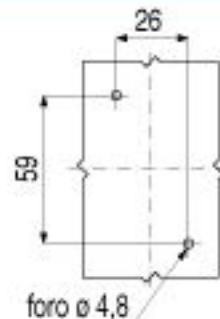
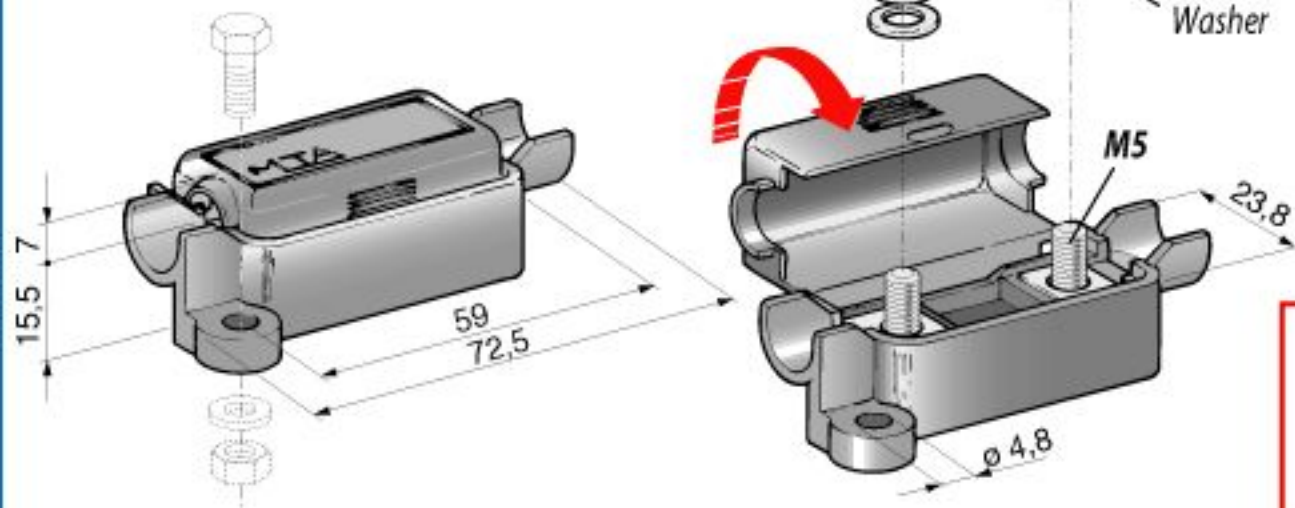


**SENZA fusibile con: DADO (2 pcs) / RONDELLA (2 pcs)**  
**WITHOUT fuse with: SCREW (2 pcs) / WASHER (2 pcs)**



**QUOTE FORATURA (mm)**  
**DRILLINGS (mm)**

**ATTENZIONE:**

**Aggraffare cavo 16 mm<sup>2</sup> max**  
**Crimp a 16 mm<sup>2</sup> cable maximum**

Use with:



**MIDIVAL®**



**FUSIBILI A NASTRO**  
**STRIP FUSE**

