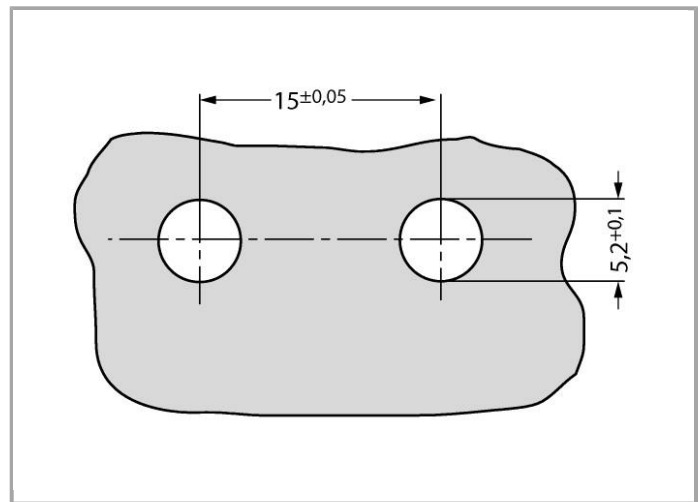
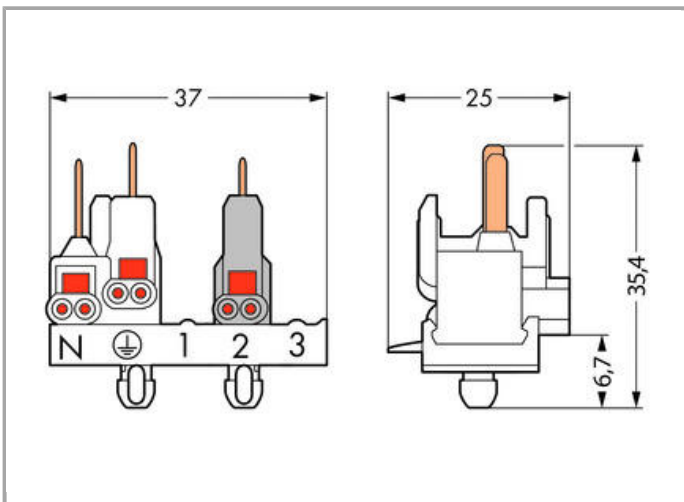
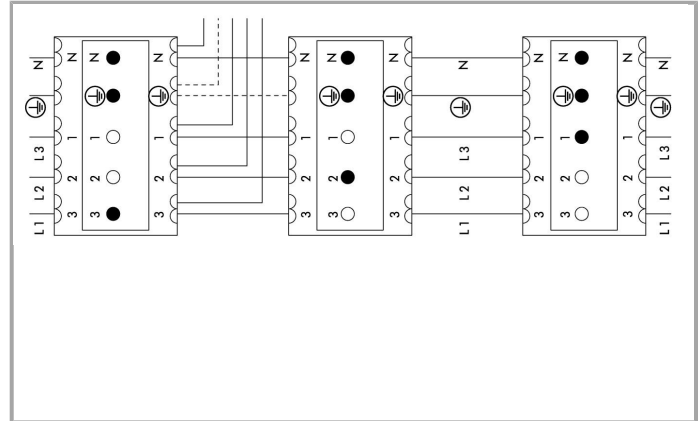
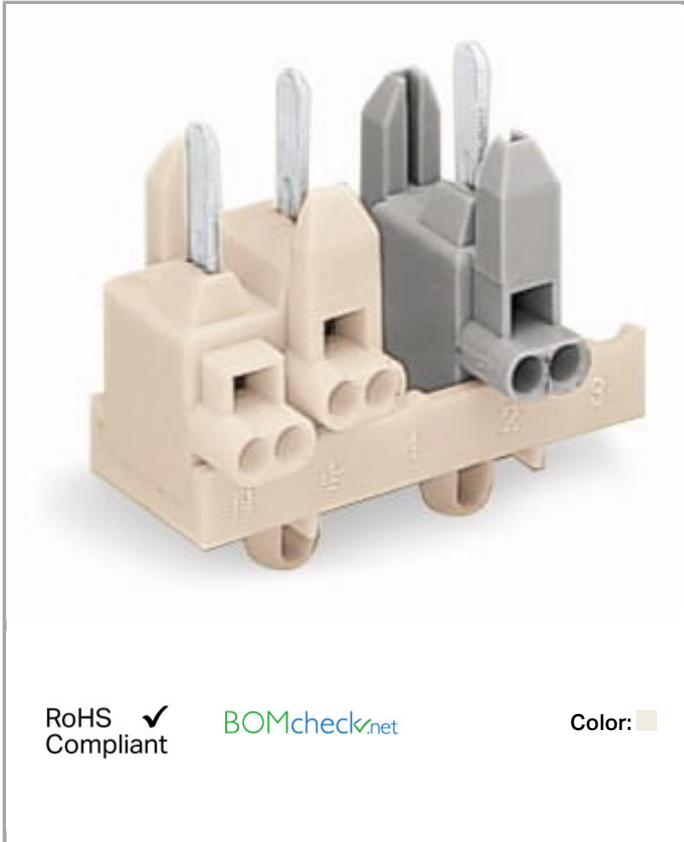


Data sheet | Item number: 277-125

Male connector; with snap-in mounting foot; 5-pole; with molded pole marking



www.wago.com/277-125



Item description

- Flexible connection system with PUSH WIRE® connection
- Phase selection

Data

Electrical data

Ratings per IEC/EN 60664-1

Rated voltage (III / 2)	400 V
Rated impulse voltage (III / 2)	4 kV
Rated current	10 A
Legend (ratings)	(III / 2) $\hat{=}$ Overvoltage category III / Pollution degree 2

Connection data

Connection technology	PUSH WIRE [®]
Strip length	10 ... 11 mm / 0.39 ... 0.43 Inch
No. of poles	5
Number of connection types	1

Geometrical Data

Width	25 mm / 0.984 inch
Height	35.4 mm / 1.394 inch
Depth	37 mm / 1.457 inch

Material Data

Color	white
Material group	I
Insulating material	Polyamide 66 (PA 66)
Flammability class per UL94	V0
Clamping spring material	Chrome nickel spring steel (CrNi)
Contact material	Electrolytic copper (Ecu)
Contact plating	tin-plated
Fire load	0.201 MJ
Weight	12.88 g

Environmental Requirements

Temperature stability	105 °C
-----------------------	--------

Commercial data

Country of origin	DE
GTIN	4044918507417
Customs Tariff No.	85369010000

Approvals / Certificates

Country specific Approvals

Logo	Approval	Certificate name
	CSA DEKRA Certification B.V.	70048855

UL-Approvals

Logo	Approval	Certificate name
	UR Underwriters Laboratories Inc.	E45172

Subject to changes.