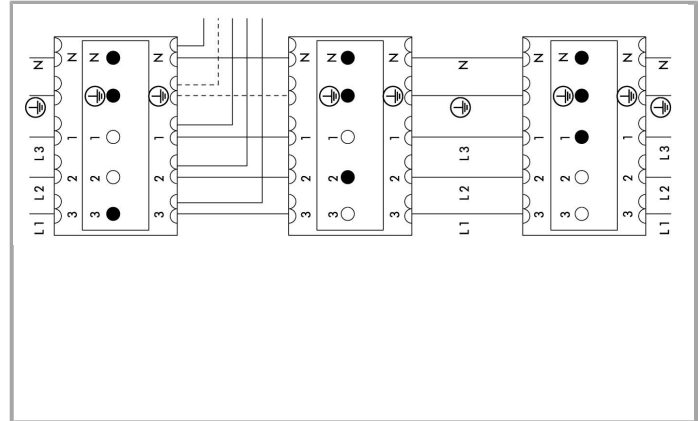
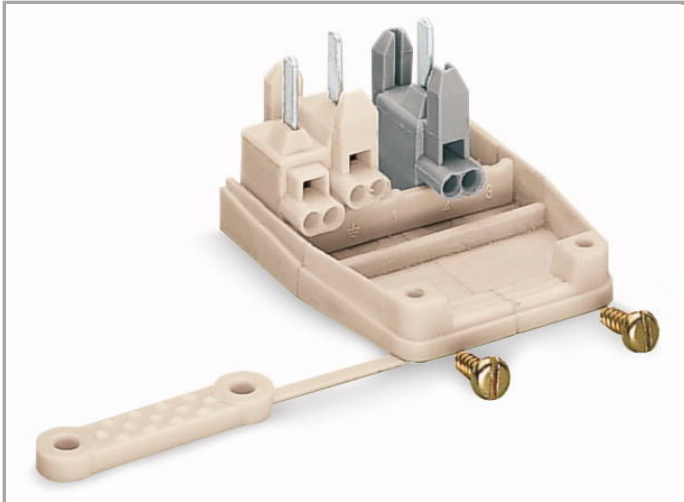


# Data sheet | Item number: 277-126

Male connector; with strain relief; 3-pole; with molded pole marking; adjustable



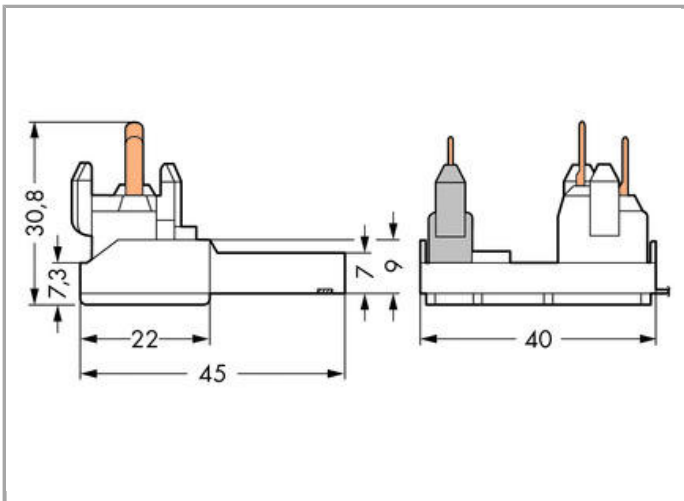
[www.wago.com/277-126](http://www.wago.com/277-126)



RoHS  Compliant

[BOMcheck.net](https://www.bomcheck.net)

Color:



## Item description

- Flexible connection system with PUSH WIRE® connection
- Phase selection



## Data

### Electrical data

#### Ratings per IEC/EN 60664-1

Rated voltage (III / 2)	400 V
Rated impulse voltage (III / 2)	4 kV
Rated current	10 A
Legend (ratings)	(III / 2) ≙ Overvoltage category III / Pollution degree 2

### Connection data

Connection technology	PUSH WIRE®
Strip length	10 ... 11 mm / 0.39 ... 0.43 Inch
No. of poles	3
Number of connection types	1

### Geometrical Data

Width	45 mm / 1.772 inch
Height	30.8 mm / 1.213 inch
Depth	40 mm / 1.575 inch

### Material Data

Color	white
Material group	I
Insulating material	Polyamide 66 (PA 66)
Flammability class per UL94	V0
Clamping spring material	Chrome nickel spring steel (CrNi)
Contact material	Electrolytic copper (Ecu)
Contact plating	tin-plated
Weight	12.656 g

### Environmental Requirements

Temperature stability	105 °C
-----------------------	--------

### Commercial data

Packaging type	bag
Country of origin	DE
GTIN	4045454356255
Customs Tariff No.	85369010000

## Approvals / Certificates

### Country specific Approvals

Logo	Approval	Certificate name
	CSA DEKRA Certification B.V.	70048855

## Downloads

### smartDATA

### CAD data

3D Download 277-126	URL	Download
---------------------	-----	----------

Subject to changes.