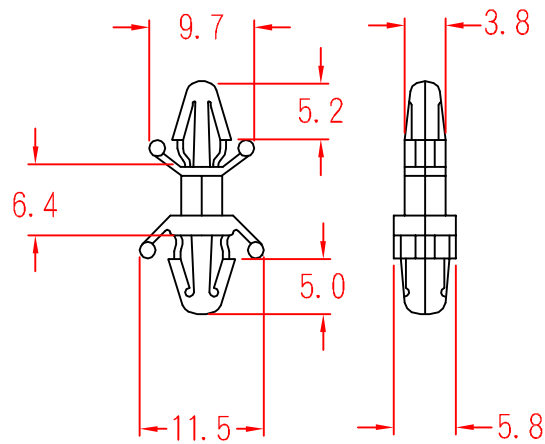


CS-0406S

To fit 4.0mm hole
chassis 2.3mm



To fit 4.8mm hole
chassis 2.0mm

		MATERIAL: UL 94V-2		ITEM NO.	
		NYLON 66		CS-0406S	
SCALE		FINISH		NAME	
				LOCKING CIRCUIT BOARD SUPPORT	
(. .)		TOLERANCE ±0.5mm		04-15-2005 DATE REVISIONS K001	
				R.NO.	

