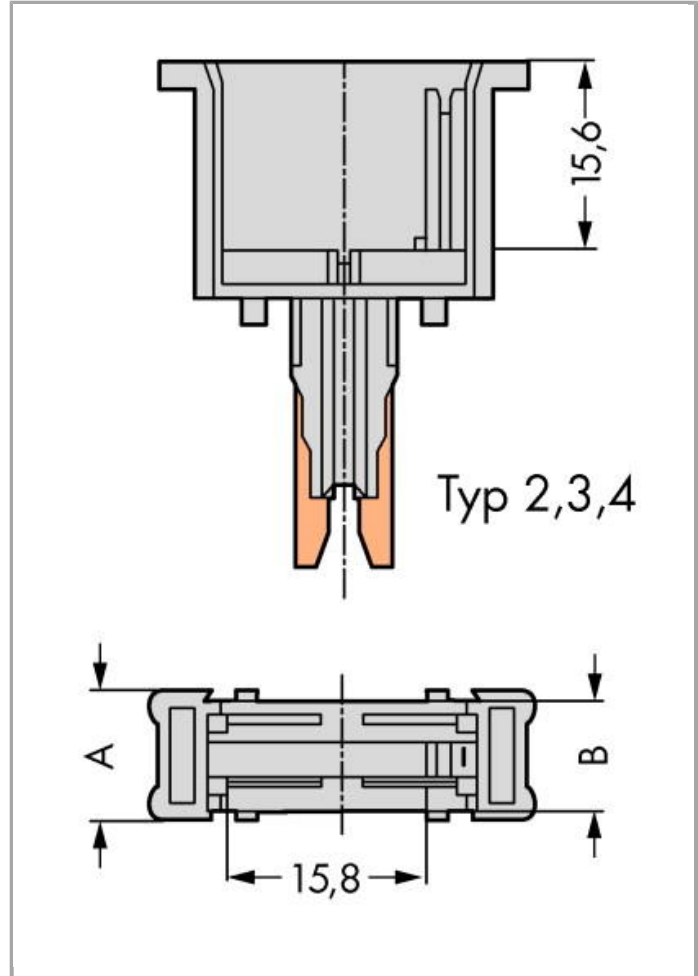


Data sheet | Item number: 280-802

Empty component plug housing; 10 mm wide; 2-pole; Type 2

www.wago.com/280-802



Typ	1	2	3	4
A	5	10	10	10
B	3,2	8,2	8,2	8,2

Item description

Empty component plug housing, type 2

**Note:**

Inside dimensions of plug W/H/D 8.2/15/15 mm (0.323/0.591/0.591 in)

Data**Electrical data**

Rated continuous current	6 A
--------------------------	-----

Safety and protection:

Rated voltage	250 V
Rated impulse voltage	4 kV
Pollution degree	3

Connection data

No. of poles	2
Type of wiring	Front-entry wiring

Geometrical Data

Width	10 mm / 0.394 inch
-------	--------------------

Mechanical data

Housing design	Pluggable module for terminal blocks
Type of mounting	Pluggable module for carrier terminal blocks

Material Data

Color	gray
Fire load	0.073 MJ
Weight	3.05 g

Commercial data

Country of origin	DE
GTIN	4044918270410
Customs Tariff No.	85369010000
Product Group	1 (Rail Mounted Terminal Blocks)

Compatible products**Marking accessories**

Item no.: 210-831

	Marking strips; on reel; 2.3 mm wide; plain; Self-adhesive	www.wago.com/210-831
	Item no.: 210-832 Marking strips; on reel; 3 mm wide; plain; Self-adhesive	www.wago.com/210-832
	Item no.: 210-833 Marking strips; on reel; 6 mm wide; plain; Self-adhesive	www.wago.com/210-833
	Item no.: 210-834 Marking strips; on reel; 5 mm wide; plain; Self-adhesive	www.wago.com/210-834

Downloads

Documentation

Additional Information

Disposal; Electrical and electronic equipment, Packaging	Oct 15, 2018	Download
		265.8 kB

smartDATA

CAD data

3D Download 280-802	URL	Download
---------------------	-----	----------

Subject to changes.