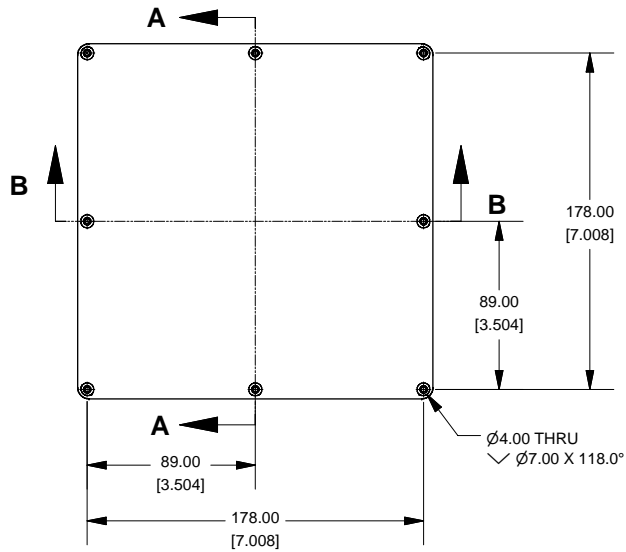
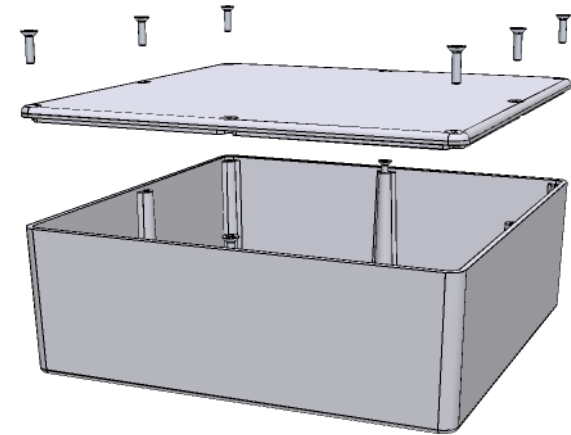
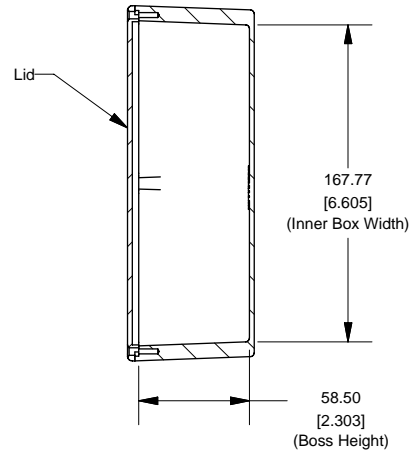


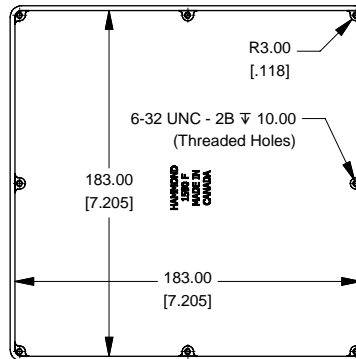
Top View of Assembly



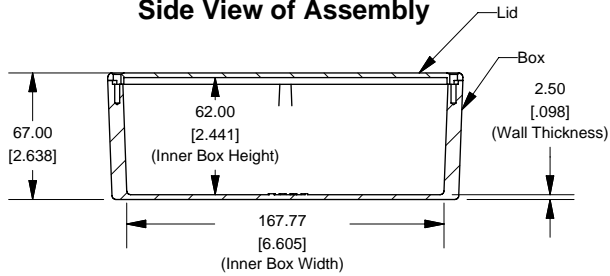
**SECTION A-A
End View of Assembly**



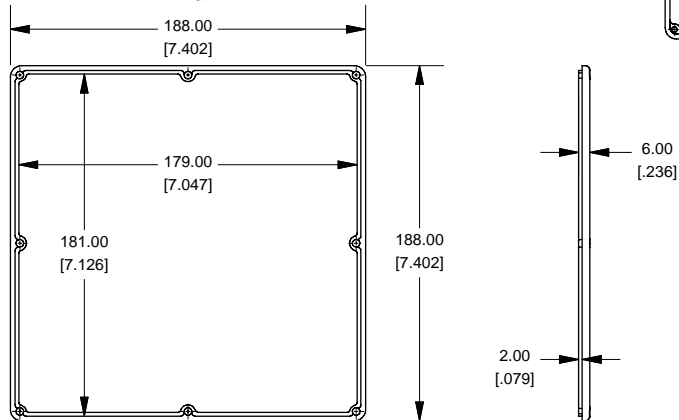
Top View Looking Inside Box



**SECTION B-B
Side View of Assembly**



Lid



Enclosures can be Factory Modified (Milling, Drilling, Printing etc.)
Contact Factory mjm@hammondmfg.com for quotes
Solid models of this enclosure available in STEP or IGES.

NOTE	
Purchased assembly includes box, lid and 6 cover screws. Box and lid are made from Diecast Aluminum Alloy (alloy type 380). Silicone Gasket Loctite #5950	
PART NUMBERS	
1590F Enclosure	
Unfinished	1590F
Grey Textured Polyester Powder Paint - RAL 7038	1590FGY
Black Textured Polyester Powder Paint - RAL 9011	1590FBK
1590F Liquid Resistant Enclosure (Silicon Factory Installed Gasket)	
Unfinished	1590WF
Black Textured Powder Paint	1590WFBK
ACCESSORIES	
Recommended Torque: 75 ozf.in / 55 cN.m	
Black Textured Cover Screws (Pkg 50) [6-32 x 1/2" SS Type 304]	1590WMS100BK
Unfinished Cover Screws (Pkg 100) [6-32 x 1/2" Nickel Plated Screws]	1590WMS100
Standard Cover Screws	
Unfinished Cover Screws (Pkg 100) [6-32 x 1/2" Nickel Plated Screws]	1590MS100
Black Textured Cover Screws (Pkg 50) [6-32 x 1/2" SS Type 304]	1590MS100BK

**HAMMOND
MANUFACTURING™**

1590F

www.hammondmfg.com