

Frame Information

KD Series



KD Series

Resettable Pushbutton Circuit Protector

- Provides basic thermal protection.
- Ratings from 0.25 – 20 amperes.
- UL recognized.

The KD Pushbutton Circuit Protector provides circuit protection similar to a fuse but does not require replacement after a fault. This resettable design allows your customer to stay online and eliminate downtime.

Easy Installation

The KD Series is easily installed in a 5/8" round or D-Shaped panel cutout similar to that used on conventional panel-mounted fuse holders. It can be mounted from either the front or rear and is held in place by special hardware. Its 1/4" quick-connect terminals are solderable.

Industry Approvals

The KD Series has been tested to meet the requirements of UL 1077, and is recognized as a supplemental protector by UL. We also carry CSA approval for applications in Canada.

Positive Action

The KD Pushbutton Circuit Protector trips without delay on short circuit, and with a controlled delay upon sustained overloads upon tripping, the contacts open with a positive snap action, thereby suppressing the arc.

Protective Covers

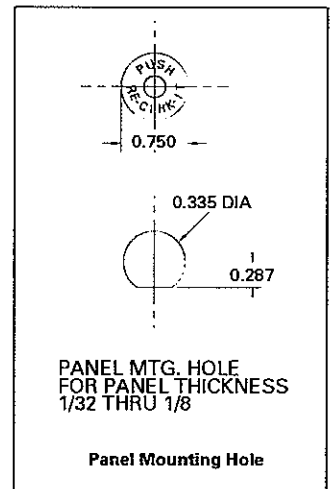
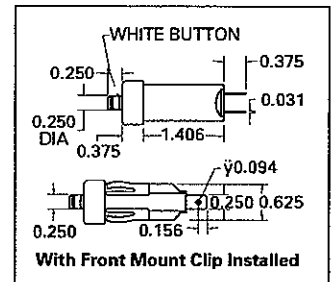
For applications where equipment may be exposed to dust or moisture, protective boots are available. Two styles are available, one which protects the breaker from splashing water and another which seals the panel opening.

To order the slip-on boot, choose Catalog Number 006-10469 or for a panel sealing version, purchase Catalog Number 006-10528.

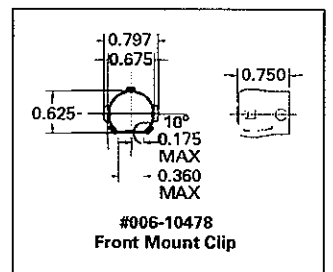
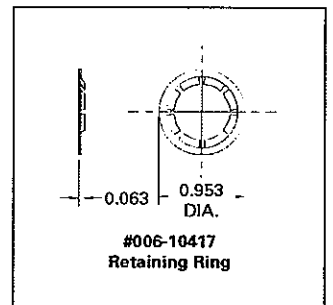
Standard Product Offering

CURRENT	CATALOG NUMBER
0.25 A	KD1-0R25
0.50 A	KD1-0R50
0.75 A	KD1-0R75
1.00 A	KD1-1
1.50 A	KD1-1R5
1.75 A	KD1-1R75
<hr/>	
2.00 A	KD1-2
2.50 A	KD1-2R5
3.00 A	KD1-3
4.00 A	KD1-4
5.00 A	KD1-5
6.00 A	KD1-6
<hr/>	
7.00 A	KD1-7
8.00 A	KD1-8
9.00 A	KD1-9
10.00 A	KD1-10
15.00 A	KD1-15
20.00 A	KD1-20

Typical Dimensions



Accessories



Bachmann Electronic GmbH
 Postfach 4111 • D - 82320 Starnberg
 Am Wagnerfeld 4 • D - 82069 Hohenschäftlarn
 Telefon + 49 (0) 8178 - 8676-0
 Telefax + 49 (0) 8178 - 8676-50
 E-Mail info@bachmann-electronic.de