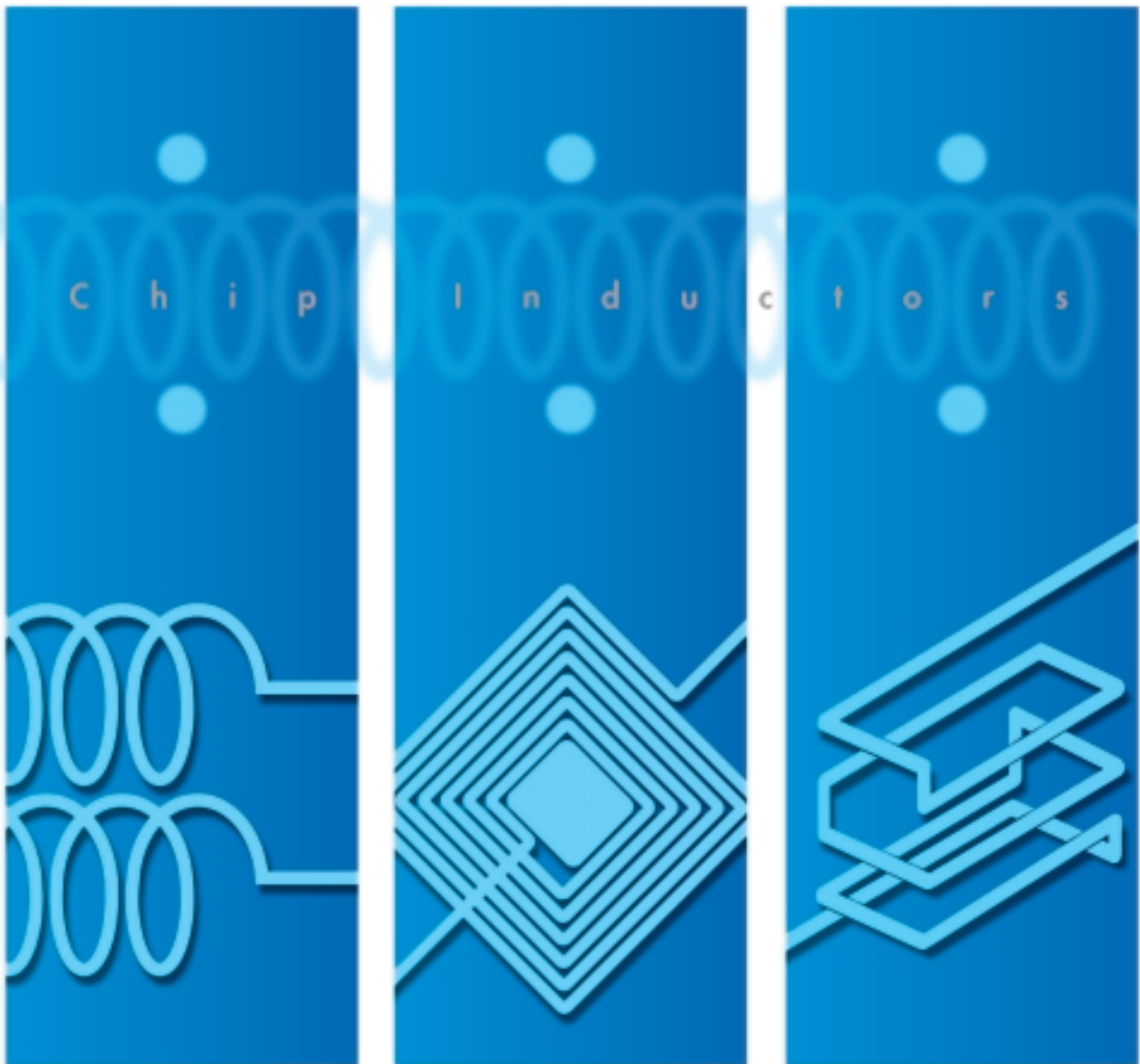


# Chip Inductors

## (Chip Coils)



**muRata** *Innovator  
in Electronics*  
Murata  
Manufacturing Co., Ltd.

## Introduction

Murata has various chip inductors for every applications such as power circuits and high frequency circuits.

There are 3 types of structure: wirewound, multilayer, film.

These variation enables best selection for every user needs.

We will support customers using material technologies and highly developed design technologies.

# Chip Inductors

### Explanation of symbols in this catalog

All Products

Features of each series

Features of each item



New product



New product



Design kit available



Reflow soldering applicable



Flow soldering applicable

#### Inductor for Power Lines (Power Inductor)



Max height xxmm



Shielded with ferrite core



Shielded with magnetic resin

#### Inductor for Low Frequency Circuits



Shielded with ferrite core



E12 step inductance variation

#### RF Inductor



E12 step inductance variation



E24 step inductance variation



Hi Q type



Tight inductance tolerance available

### EU RoHS Compliant

- All the products in this catalog comply with EU RoHS.
- EU RoHS is "the European Directive 2002/95/EC on the Restriction of the Use of Certain Hazardous Substances in Electrical and Electronic Equipment."
- For more details, please refer to our website 'Murata's Approach for EU RoHS' (<http://www.murata.com/info/rohs.html>).

# CONTENTS

Classification and Structure of Chip Inductors .....	2
Product Guide .....	4
Selection Guide .....	6
Product Guide by Thickness .....	7

## ● Inductor for Power Lines (Power Inductor)

Introduction .....	10
Product Guide .....	11
Part Numbering .....	12
Product Detail .....	14
⚠Caution/Notice .....	78
Soldering and Mounting .....	80
Packaging .....	84
Design Kits .....	88

## ● Inductor for Low Frequency Circuits

Part Numbering .....	94
Product Detail .....	95
⚠Caution/Notice .....	106
Soldering and Mounting .....	107
Packaging .....	111
Design Kits .....	112

## ● RF Inductor







Introduction .....	116
Part Numbering .....	117
Product Detail .....	118
⚠Caution/Notice .....	165
Soldering and Mounting .....	167
Packaging .....	171
Design Kits .....	172

Part Number Quick Reference .....	181
Introduction of SimSurfing .....	182
Introduction of EMI/MLCC/Inductor special web site "EMICON-FUN!" .....	183

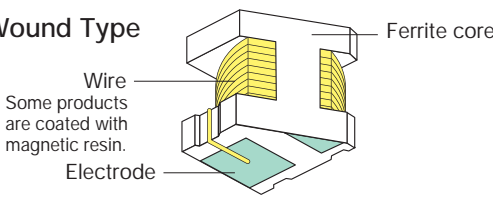
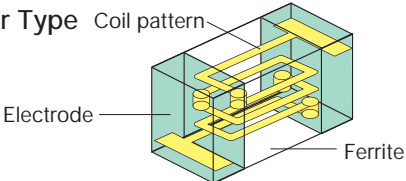


# Classification and Structure of Chip Inductors

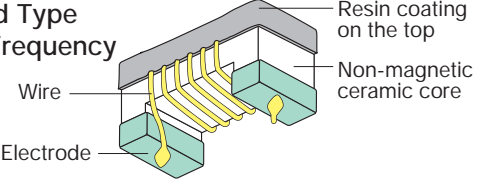
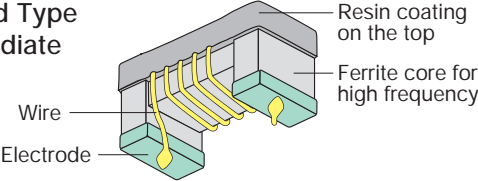
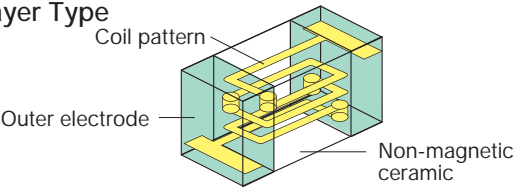
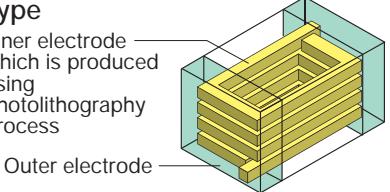
## Line Up and Application of Chip Inductors

	Line Up	Application
<b>For Power Lines / For Low Frequency Circuits</b> (Under 100MHz)	Wire Wound Type Ferrite Core  LQH Series (There are some exception.)	For Voltage Conversion For Choke For Resonance Circuits For Low Frequency Filter Circuits
	Multilayer Type Ferrite Core  LQM Series	
<b>RF Inductor</b> (Over Several 10MHz)	Wire Wound Type Ferrite Core for High Frequency  LQW_H Series LQH_H Series	For Impedance Matching For High Frequency Filter Circuits For RF Choke
	Wire Wound Type Non-magnetic Core  LQW_A Series	
	Multilayer Type Non-magnetic material  LQG Series	
	Film Type Non-magnetic material  LQP Series	

## Construction and Feature of Chip Inductors

	Construction	Features
<b>For Power Lines / For General Circuits</b>	<b>Wire Wound Type</b>  Ferrite core Wire Some products are coated with magnetic resin. Electrode	Wide inductance range Good DC bias current characteristics  Small and light weight Low DC resistance
	<b>Multilayer Type</b>  Coil pattern Electrode Ferrite	

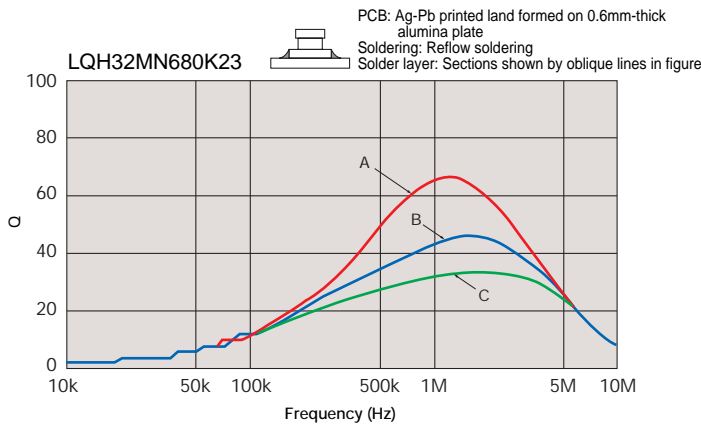
△Note • Please read rating and △CAUTION (for storage, operating, rating, soldering, mounting and handling) in this catalog to prevent smoking and/or burning, etc.  
• This catalog has only typical specifications because there is no space for detailed specifications. Therefore, please review our product specifications or consult the approval sheet for product specifications before ordering.

Construction	Features
<b>Wire Wound Type For Radio Frequency</b>  <p>Resin coating on the top Non-magnetic ceramic core Wire Electrode</p>	<b>High Q</b> <b>Large inductance</b>
<b>Wire Wound Type For Intermediate Frequency</b>  <p>Resin coating on the top Ferrite core for high frequency Wire Electrode</p>	<b>High Q at intermediate frequency</b>
<b>Multilayer Type</b>  <p>Coil pattern Outer electrode Non-magnetic ceramic</p>	<b>Industrial standard design</b>
<b>Film Type</b>  <p>Inner electrode which is produced using photolithography process Outer electrode</p>	<b>Small size, but high Q</b>

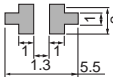
## RF Inductor


## Technical Data

### 1. Land Area and Q-F Characteristics

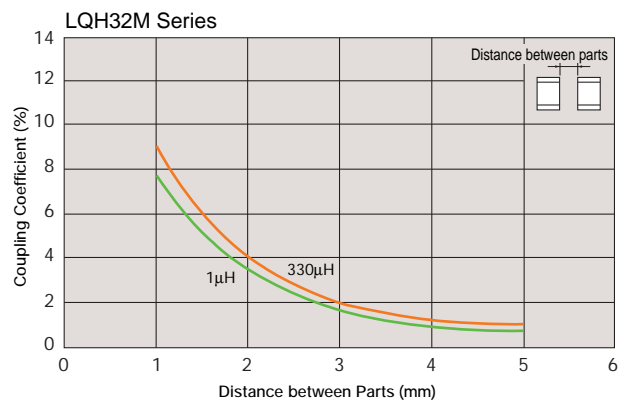


A : Net characteristics without land pattern

B:  Characteristic of chip mounted on land

C:  Characteristic of chip mounted on land  
(in mm)

### 2. Coupling Coefficient Versus Distance between Parts



△Note • Please read rating and △CAUTION (for storage, operating, rating, soldering, mounting and handling) in this catalog to prevent smoking and/or burning, etc.  
• This catalog has only typical specifications because there is no space for detailed specifications. Therefore, please review our product specifications or consult the approval sheet for product specifications before ordering.

Murata's LQ series of chip inductors (chip coils) consists of compact, high-performance inductors. Their innovative coil and case structures mean low DC resistance and outstanding high-frequency characteristics. The series is designed for a variety of applications, facilitating component selection for individual circuit requirements.

	Part Number	Structure	Size Code Inch (mm)	Inductance Range									
				1n	10n	100n	1μ	10μ	100μ	1m	10m		
Inductor for Power Lines (Power Inductor)	LQM18P_B0 <small>p14</small>	Magnetically Shielded Multilayer	0603 (1608)				1.5μH						
	LQM18P_C0 <small>p15</small>		0603 (1608)				1.8μH						
	LQM18P_F0 <small>p16</small>		0603 (1608)				1.0μH						
	LQM18P_FR <small>p17</small>		0603 (1608)				220nH		4.7μH				
	LQM21P_C0 <small>p19</small>		0805 (2012)				470nH		2.2μH				
	LQM21P_G0 <small>p20</small>		0805 (2012)				540nH		3.3μH				
	LQM21P_GC <small>p21</small>		0805 (2012)				1.0μH		2.2μH				
	LQM21P_GR <small>p22</small>		0805 (2012)				1.0μH		4.7μH				
	LQM2MP_G0 <small>p23</small>		0806 (2016)				470nH		4.7μH				
	LQM2HP_J0 <small>p25</small>		1008 (2520)				1.0μH		3.3μH				
	LQM2HP_JC <small>p26</small>		1008 (2520)				1.0μH		2.2μH				
	LQM2HP_G0 <small>p27</small>		1008 (2520)				470nH		4.7μH				
	LQM2HP_GC <small>p28</small>		1008 (2520)				1.0μH		4.7μH				
	LQM2HP_E0 <small>p29</small>		1008 (2520)				560nH						
	LQM31P_00 <small>p30</small>		1206 (3216)				470nH		4.7μH				
	LQM31P_C0 <small>p31</small>		1206 (3216)				470nH		2.2μH				
	LQM32P_G0 <small>p32</small>		1210 (3225)				1.0μH						
	LQH2MC_02 <small>p33</small>		0806 (2016)	Wire Wound				1.0μH		82μH			
	LQH2MC_52 <small>p35</small>		0806 (2016)					1.0μH		22μH			
	LQH2HP_G0 <small>p37</small>		1008 (2520)					2.2μH		100μH			
	LQH3NP_M0 <small>p39</small>		1212 (3030)					1.0μH		100μH			
	LQH3NP_MR <small>p41</small>		1212 (3030)					1.0μH		4.7μH			
	LQH3NP_J0 <small>p42</small>		1212 (3030)					1.0μH		47μH			
	LQH3NP_G0 <small>p44</small>		1212 (3030)					1.0μH		250μH			
	LQH32P_N0 <small>p46</small>		1210 (3225)					470nH		120μH			
	LQH32P_NC <small>p48</small>		1210 (3225)					470nH		22μH			
	LQH43P_26 <small>p50</small>		1812 (4532)					1.0μH		220μH			
	LQH44P_P0 <small>p52</small>		1515 (4040)					1.0μH		22μH			
	LQH44P_J0 <small>p54</small>		1515 (4040)					1.0μH		47μH			
	LQH5BP_T0 <small>p56</small>		2020 (5050)					470nH		22μH			
	LQH55P_R0 <small>p58</small>		2220 (5852)					1.2μH		22μH			
	Chokes		LQM18F <small>p60</small>		Magnetically Shielded Multilayer	0603 (1608)				1.0μH		10μH	
LQM21D <small>p61</small>		0805 (2012)						1.0μH		47μH			
LQM21F <small>p62</small>		0805 (2012)						1.0μH		47μH			
LQM31F <small>p65</small>		1206 (3216)								10μH			
LQW15C <small>p66</small>		Wire Wound	0402 (1005)		18nH		200nH						
LQW18C <small>p67</small>			0603 (1608)	4.9nH		650nH							
LQH31C <small>p68</small>			1206 (3216)			120nH		100μH					
LQH32C_23/33 <small>p69</small>			1210 (3225)			150nH		560μH					
LQH32C_53 <small>p71</small>			1210 (3225)			1.0μH		100μH					
LQH43C_03 <small>p72</small>			1812 (4532)			1.0μH		470μH					
LQH43C_33 <small>p73</small>			1812 (4532)			560nH		3.9μH					
LQH55D <small>p74</small>			2220 (5750)			120nH				10mH			
LQH66S <small>p76</small>	Magnetically Shielded	2525 (6363)			270nH				10mH				
General Purpose Inductor	LQM18N <small>p95</small>	Magnetically Shielded Multilayer	0603 (1608)			47nH		2.2μH					
	LQM21N <small>p97</small>		0805 (2012)			100nH		4.7μH					
	LQH31M <small>p99</small>	Wire Wound (ferrite core)	1206 (3216)			150nH		100μH					
	LQH32M <small>p101</small>		1210 (3225)			1.0μH		560μH					
	LQH43M(N) <small>p103</small>		1812 (4532)			1.0μH		2.2mH					
RF Inductor	LQG15H <small>p118</small>	Multilayer	0402 (1005)	1.0nH			270nH						
	LQG18H <small>p123</small>		0603 (1608)	1.2nH			100nH						
	LQP02T <small>p125</small>	Film	01005 (0402)	0.4nH		18nH							
	LQP03T_02 <small>p128</small>		0201 (0603)	0.6nH		120nH							
	LQP15T <small>p132</small>		0402 (1005)	1.0nH		18nH							
	LQP15M <small>p134</small>		0402 (1005)	1.0nH		33nH							
	LQP18M <small>p137</small>	0603 (1608)	1.3nH		100nH								
	LQW04A <small>p139</small>	Wire Wound (air core)	03015 (0804)	1.1nH		33nH							
	LQW15A <small>p142</small>		0402 (1005)	1.3nH		120nH							
	LQW18A <small>p149</small>		0603 (1608)	2.2nH		470nH							
	LQW2BH <small>p154</small>		0805 (2015)	2.7nH		470nH							
	LQW2BA <small>p157</small>		0805 (2015)	2.8nH		820nH							
	LQW2UA <small>p159</small>		1008 (2520)		12nH		4.7μH						
	LQW31H <small>p161</small>		1206 (3216)		8.8nH		100nH						
	LQW21H <small>p163</small>		0805 (2012)				470nH		2.2μH				
	LQH31H <small>p164</small>	Wire Wound (ferrite core)	1206 (3216)			54nH		880nH					

**Inductance Lineup**

- : E-24 or Higher
- : E-12
- : Other

\*There are some items which do not match to E step.

CAUTION: Use rosin-based flux, but not strong acidic flux (with chlorine content exceeding 0.2wt%) when soldering chip inductor (chip coil). Do not use water-soluble flux.

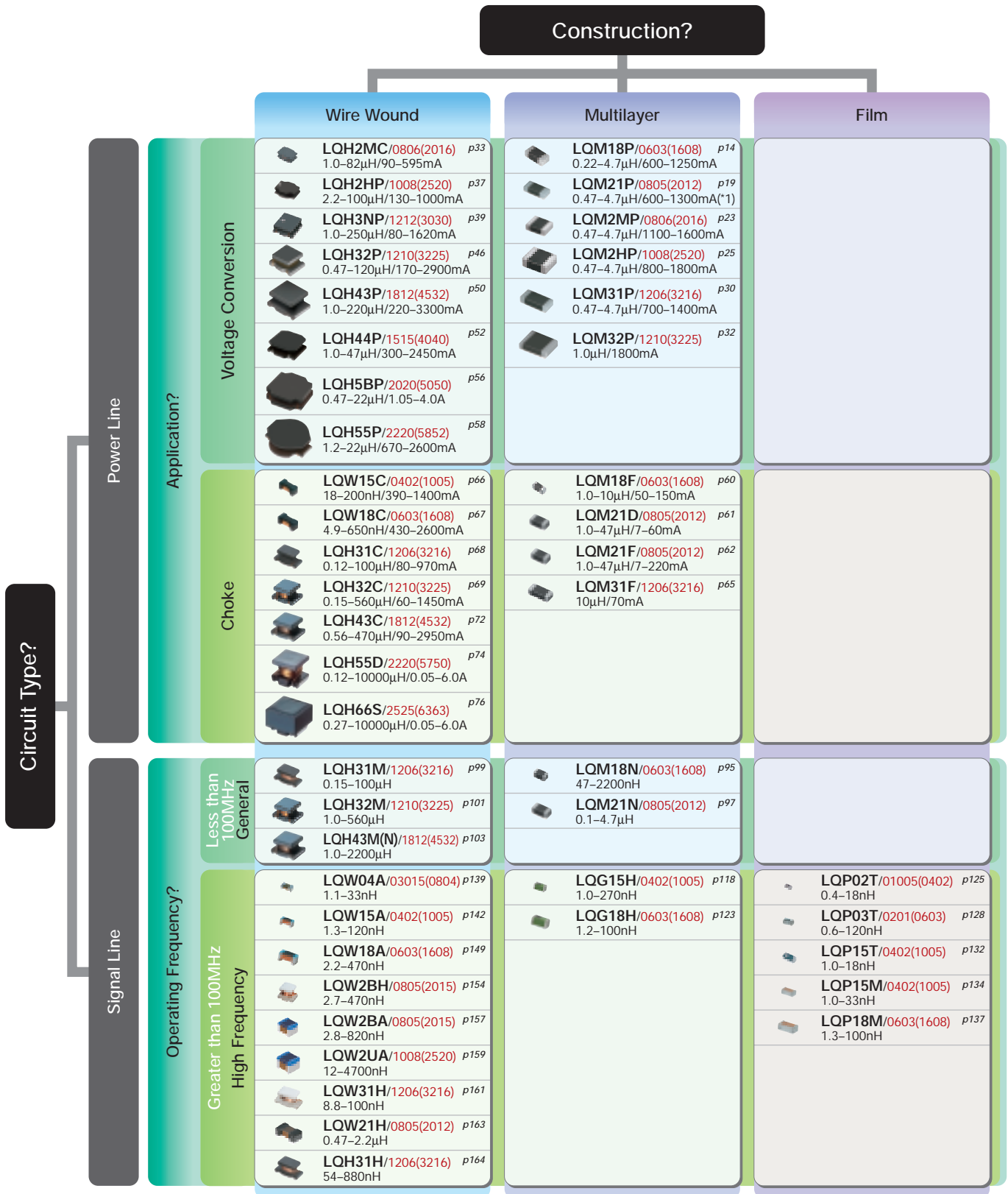
△Note • Please read rating and △CAUTION (for storage, operating, rating, soldering, mounting and handling) in this catalog to prevent smoking and/or burning, etc.  
• This catalog has only typical specifications because there is no space for detailed specifications. Therefore, please review our product specifications or consult the approval sheet for product specifications before ordering.





	Part Number	Rated Current (mA)				E-24 Step	E-12 Step	Tight Tolerance	Thickness max.	Ferrite Core Shield	Magnetic Resin Shield	Flow OK	Reflow OK	New	
		10	100	1000	10000										
Inductor for Power Lines (Power Inductor)	LQM18P_B0 p14			600				0.4mm	Ferrite		Flow	Reflow	New		
	LQM18P_C0 p15			700				0.55mm	Ferrite		Flow	Reflow	New		
	LQM18P_F0 p16			600				0.95mm	Ferrite		Flow	Reflow	New		
	LQM18P_FR p17			620	1250			0.95mm	Ferrite		Flow	Reflow	New		
	LQM21P_C0 p19			600	1100			0.55mm	Ferrite		Flow	Reflow			
	LQM21P_G0 p20			800	1300			1.0mm	Ferrite		Flow	Reflow			
	LQM21P_GC p21			800	900			1.0mm	Ferrite		Flow	Reflow	New		
	LQM21P_GR p22			800	1300			1.0mm	Ferrite		Flow	Reflow	New		
	LQM2MP_G0 p23			1100	1600			1.0mm	Ferrite		Flow	Reflow			
	LQM2HP_J0 p25			1000	1500			1.2mm	Ferrite		Flow	Reflow			
	LQM2HP_JC p26			1000	1500			1.2mm	Ferrite		Flow	Reflow			
	LQM2HP_G0 p27			1100	1800			1.0mm	Ferrite		Flow	Reflow			
	LQM2HP_GC p28			800	1500			1.0mm	Ferrite		Flow	Reflow			
	LQM2HP_E0 p29				1500			0.8mm	Ferrite		Flow	Reflow			
	LQM31P_00 p30			700	1400			0.95mm	Ferrite				Reflow		
	LQM31P_C0 p31			900	1300			0.55mm	Ferrite				Reflow		
	LQM32P_G0 p32				1800			1.0mm	Ferrite				Reflow	New	
	LQH2MC_02 p33		90		485			0.95mm					Reflow		
	LQH2MC_52 p35		130		595			0.7mm					Reflow		
	LQH2HP_G0 p37		130		1000			1.0mm		Resin		Flow	Reflow	New	
	LQH3NP_M0 p39		200		1400			1.5mm		Resin			Reflow		
	LQH3NP_MR p41			950	1600			1.5mm		Resin			Reflow	New	
	LQH3NP_J0 p42		200		1620			1.2mm		Resin			Reflow		
	LQH3NP_G0 p44		80		1525			1.0mm		Resin			Reflow		
	LQH32P_N0 p46		170		2550			1.7mm		Resin			Reflow		
	LQH32P_NC p48			550	2900			1.7mm		Resin			Reflow	New	
	LQH43P_26 p50		220		3300			2.8mm		Resin	Flow		Reflow	New	
	LQH44P_P0 p52			790	2450			1.8mm		Resin			Reflow		
	LQH44P_J0 p54		300		1530			1.2mm		Resin			Reflow		
	LQH5BP_T0 p56			1050	4000			2.2mm		Resin			Reflow	New	
	LQH55P_R0 p58			670	2600			2.0mm		Resin			Reflow		
	Chokes	LQM18F p60		50	150					Ferrite		Flow	Reflow		
		LQM21D p61	7		60					Ferrite		Flow	Reflow		
		LQM21F p62	7		220					Ferrite		Flow	Reflow		
		LQM31F p65			70					Ferrite			Reflow		
		LQW15C p66			390	1400			0.6mm				Reflow	New	
		LQW18C p67			430	2600							Reflow		
		LQH31C p68		80		970						Flow	Reflow		
		LQH32C_23/33 p69		60		1450						Flow	Reflow		
		LQH32C_53 p71		100		1000						Flow	Reflow		
		LQH43C_03 p72		90		1080						Flow	Reflow		
		LQH43C_33 p73				1600	2950		2.8mm			Flow	Reflow	New	
		LQH55D p74		50		6000							Reflow		
		LQH66S p76		50		6000					Ferrite			Reflow	
		General Purpose Inductor	LQM18N p95	15		50					Ferrite		Flow	Reflow	
			LQM21N p97	30		250					Ferrite		Flow	Reflow	
	LQH31M p99		45		250							Flow	Reflow		
	LQH32M p101		40		445							Flow	Reflow		
	LQH43M(N) p103		30		500							Flow	Reflow		
	RF Inductor	LQG15H p118		110	300		E-24	E-12					Reflow		
LQG18H p123			300	500			E-12					Reflow			
LQP02T p125			140	320		E-24	E-12					Reflow			
LQP03T_02 p128			40	850		E-24	E-12	Tight				Reflow			
LQP15T p132			80	300		E-24	E-12	Tight				Reflow			
LQP15M p134			60	400		E-24	E-12	Tight				Reflow			
LQP18M p137			50	300			E-12	Tight				Reflow			
LQW04A p139			140	990			E-12					Reflow			
LQW15A p142			110	1200			E-12	Tight				Reflow			
LQW18A p149			75	1400		E-24	E-12	Tight				Reflow			
LQW2BH p154			160	1900			E-12	Tight			Flow	Reflow			
LQW2BA p157			180	800			E-12					Reflow			
LQW2UA p159			260	1000			E-12					Reflow			
LQW31H p161			230	750							Flow	Reflow			
LQW21H p163			75	160			E-12					Reflow			
LQH31H p164		180	920							Flow	Reflow				

⚠Note • Please read rating and ⚠CAUTION (for storage, operating, rating, soldering, mounting and handling) in this catalog to prevent smoking and/or burning, etc.  
 • This catalog has only typical specifications because there is no space for detailed specifications. Therefore, please review our product specifications or consult the approval sheet for product specifications before ordering.



Guide for Digits in this Chart:

● for LQH2MC **0806(2016)/1.0–82μH/90–595mA**

Size (inch)
Size (mm)
Inductance
Rated Current

\*1 In operating temperature exceeding +85°C, derating of current is necessary for LQM21PN3R3NG0/LQM21PN3R3MG0. Please apply the derating curve shown in detailed page according to the operating temperature.

⚠Note • Please read rating and ⚠CAUTION (for storage, operating, rating, soldering, mounting and handling) in this catalog to prevent smoking and/or burning, etc.  
• This catalog has only typical specifications because there is no space for detailed specifications. Therefore, please review our product specifications or consult the approval sheet for product specifications before ordering.



Which Thickness?

Inductor for Power Lines (Power Inductor)

	Multilayer Type	Wire Wound Type	Multilayer Type for Choke	Wire Wound Type for Choke
0.35mm	LQM18P_B0			
0.5mm	LQM18P_C0 / LQM21P_C0 / LQM31P_C0			LQW15C
0.65mm		LQH2MC_52		
0.7mm	LQM2HP_E0			
0.8mm	LQM18P_F0 / FR		LQM18F	LQW18C
0.85mm	LQM31P_00		LQM21D (1.0 to 10μH) / LQM21F_00	
0.9mm	LQM21P_G0 / GC / GR / LQM2MP_G0 / LQM2HP_G0 / GC / LQM32P_G0	LQH2MC_02 / LQH2HP_G0 / LQH3NP_G0		
1.0mm			LQM31F	
1.1mm	LQM2HP_J0	LQH3NP_J0 / LQH44P_J0		
1.25mm			LQM21D (22 to 47μH) / LQM21F_70 / LQM21F_80	
1.4mm		LQH3NP_M0 / MR		
1.55mm		LQH32P_N0 / NC		LQH32C_53
1.65mm		LQH44P_P0		
1.8mm				LQH31C
1.85mm		LQH55P_R0		
2.0mm		LQH5BP		LQH32C_23 / 33
2.6mm		LQH43P_26		LQH43C_03 / 33
4.7mm				LQH55D / LQH66S

Which Thickness?

Inductor for Low Frequency Circuits

RF Inductor

	Multilayer Type	Wire Wound Type	Multilayer Type	Film Type	Wire Wound Type
0.2mm				LQP02T	
0.3mm				LQP03T	
0.35mm				LQP15M	
0.4mm				LQP15T	LQW04A
0.5mm			LQG15HN / LQG15HS	LQP18M	LQW15A
0.8mm	LQM18N		LQG18H		LQW18A
0.85mm	LQM21N (0.1 to 2.2μH)				
0.9mm					LQW21H
1.25mm	LQM21N (2.7 to 4.7μH)				
1.42mm					LQW2BA
1.7mm					LQW2BH
1.8mm		LQH31M			LQH31H / LQW31H
1.83mm					LQW2UA
2.0mm		LQH32M			
2.6mm		LQH43M(N)			

△Note • Please read rating and ⚠CAUTION (for storage, operating, rating, soldering, mounting and handling) in this catalog to prevent smoking and/or burning, etc.  
 • This catalog has only typical specifications because there is no space for detailed specifications. Therefore, please review our product specifications or consult the approval sheet for product specifications before ordering.



# Memo

# ● Inductor for Power Lines (Power Inductor)



Introduction .....	10
Product Guide .....	11
Part Numbering .....	12
Product Detail .....	14
⚠Caution/Notice .....	78
Soldering and Mounting .....	80
Packaging .....	84
Design Kits .....	88

⚠Note • Please read rating and ⚠CAUTION (for storage, operating, rating, soldering, mounting and handling) in this catalog to prevent smoking and/or burning, etc.  
• This catalog has only typical specifications because there is no space for detailed specifications. Therefore, please review our product specifications or consult the approval sheet for product specifications before ordering.

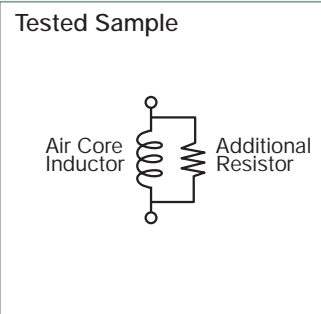
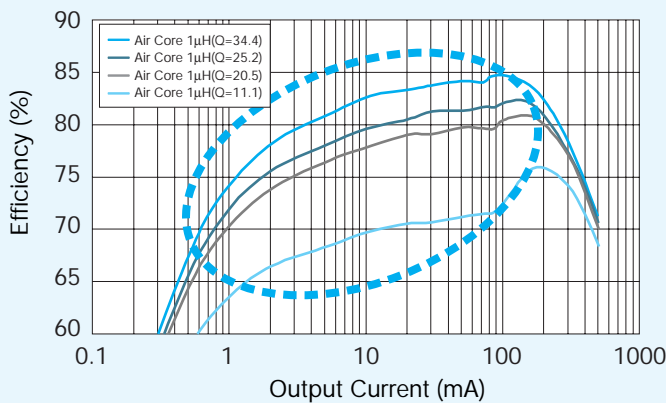
# Introduction of Power Inductor

## Voltage Conversion Efficiency

Effect of losses in power inductor to voltage conversion efficiency  
 Important factor of power inductor changes according to working condition of power supply.

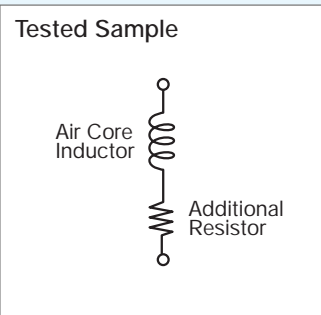
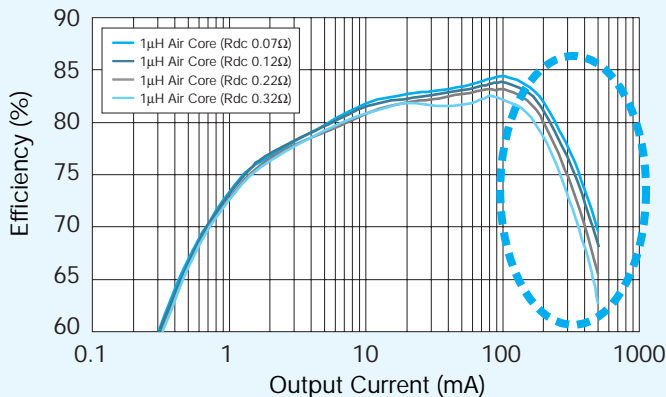
### ●Effect of Magnetic Loss

Magnetic loss affect to efficiency at low output condition.



### ●Effect of DC Resistance

DC resistance affect to efficiency at high output condition.

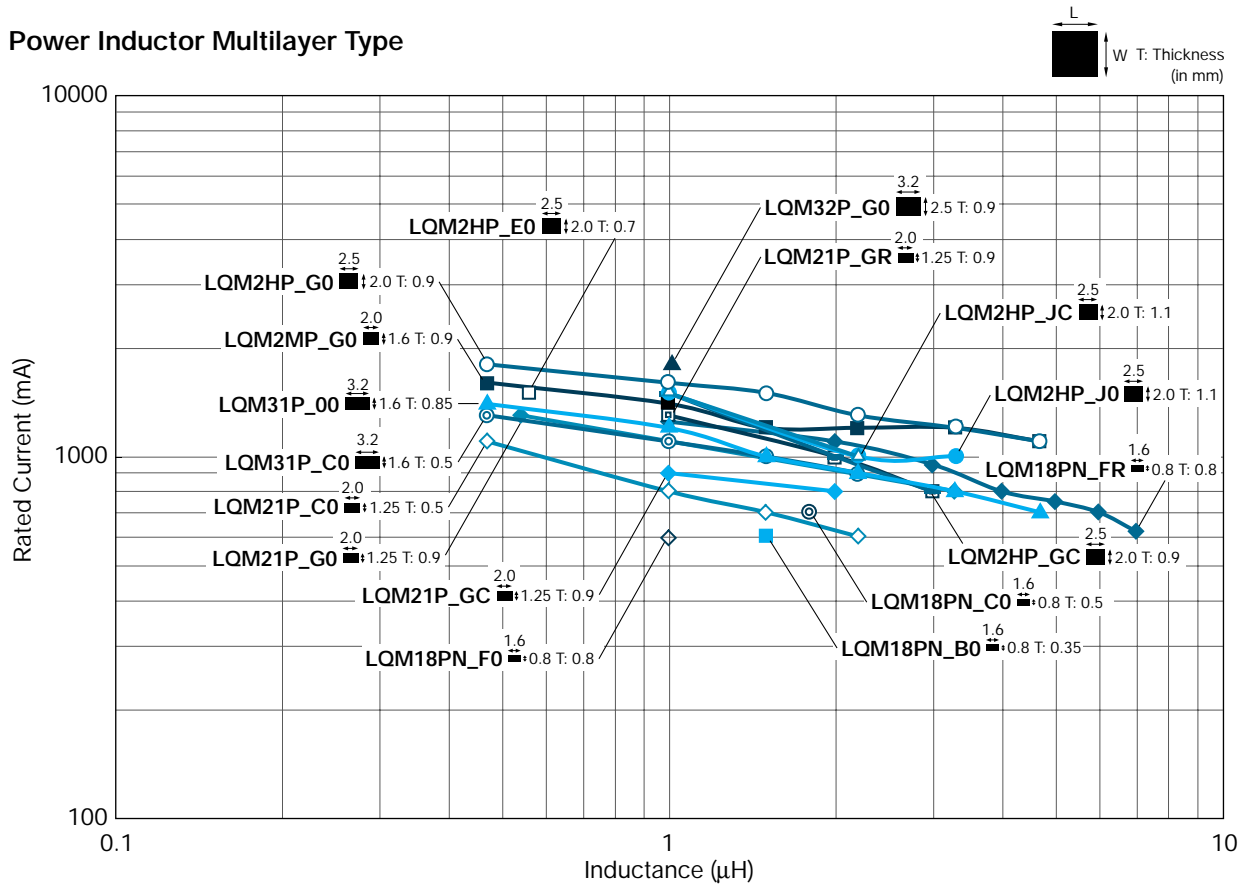


We design inductors to match the application using latest simulation technology.

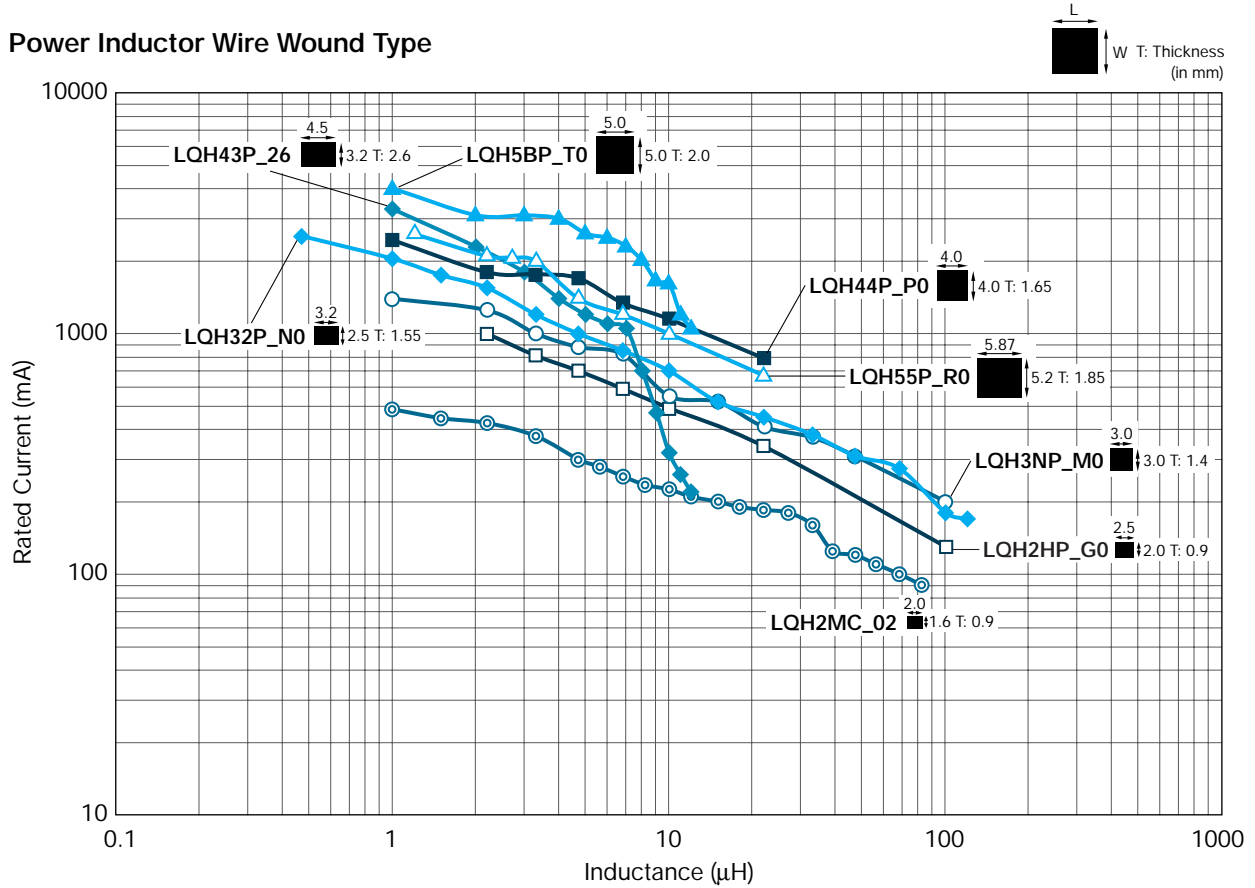


△Note • Please read rating and △CAUTION (for storage, operating, rating, soldering, mounting and handling) in this catalog to prevent smoking and/or burning, etc.  
 • This catalog has only typical specifications because there is no space for detailed specifications. Therefore, please review our product specifications or consult the approval sheet for product specifications before ordering.

Power Inductor Multilayer Type

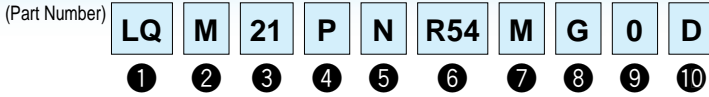


Power Inductor Wire Wound Type



△Note • Please read rating and △CAUTION (for storage, operating, rating, soldering, mounting and handling) in this catalog to prevent smoking and/or burning, etc.  
 • This catalog has only typical specifications because there is no space for detailed specifications. Therefore, please review our product specifications or consult the approval sheet for product specifications before ordering.

# Inductor for Power Lines (Power Inductor) Part Numbering



## ① Product ID

Product ID	
LQ	Chip Inductors (Chip Coils)

## ② Structure

Code	Structure
H	Wire Wound Type (Ferrite Core)
W	
M	Multilayer Type (Ferrite Core)

## ③ Dimensions (L×W)

Code	Dimensions (L×W)	EIA
15	1.0×0.5mm	0402
18	1.6×0.8mm	0603
21	2.0×1.25mm	0805
2M	2.0×1.6mm	0806
2H	2.5×2.0mm	1008
3N	3.0×3.0mm	1212
31	3.2×1.6mm	1206
32	3.2×2.5mm	1210
43	4.5×3.2mm	1812
44	4.0×4.0mm	1515
5B	5.0×5.0mm	2020
55	5.7×5.0mm/5.87×5.2mm	2220
66	6.3×6.3mm	2525

## ④ Applications and Characteristics

Code	Series	Applications and Characteristics
D	LQM	for Choke (Low-current DC Power Supplies)
F		for Choke (DC Power Supplies)
D	LQH	for Choke
S		for Choke (Magnetically Shielded Type)
C	LQH/LQW	for Choke (Coating Type)
P	LQM/LQH	for Power Line

## ⑤ Category

Code	Category
N	Standard Type

## ⑥ Inductance

Expressed by three-digit alphanumerics. The unit is micro-henry ( $\mu\text{H}$ ). The first and second figures are significant digits, and the third figure expresses the number of zeros which follow the two figures. If there is a decimal point, it is expressed by the capital letter "R". In this case, all figures are significant digits. If inductance is less than  $0.1\mu\text{H}$ , the inductance code is expressed by a combination of two figures and the capital letter "N", and the unit of inductance is nano-henry (nH). The capital letter "N" indicates the unit of "nH", and also expresses a decimal point. In this case, all figures are significant digits.

## ⑦ Inductance Tolerance

Code	Inductance Tolerance
D	$\pm 0.5\text{nH}$
J	$\pm 5\%$
K	$\pm 10\%$
M	$\pm 20\%$
N	$\pm 30\%$

## ⑧ Features (Except LQH□□P/LQM□□P)

Code	Features	Series
0	Standard Type	LQM/LQH*1 /LQW
2	Standard Type	LQH32C
3	Low DC Resistance	LQH32C/43CN
5	Low Profile Type	LQH2MC/32C
7	Large Current Type	LQM21F
8	Low DC Resistance /Large Current Type	

\*1 Except LQH32 Series

## ⑨ Thickness (LQH□□P/LQM□□P Only • Except LQH43P)

Code	Dimensions (T)
B	0.35mm
C	0.5mm
E	0.7mm
F	0.8mm
0	0.85mm
G	0.9mm
J	1.1mm
M	1.4mm
N	1.55mm
P	1.65mm
R	1.85mm
T	2.0mm

## ⑩ Electrode (Except LQH□□P/LQM□□P)

•Lead (Pb) Free


Code	Electrode	Series
0	Sn	LQM/LQW
2		LQH2MC
3	LF Solder	LQH (Except LQH2MC)

## ⑪ Specification (LQH□□P/LQM□□P Only • Except LQH43P)

Code	Specification
0	Standard Type
C	Good Bias Current Characteristics Type
R	Low Rdc Type

## ⑫ Thickness (LQH43P Only)

Code	Dimensions (T)
26	2.6mm

Continued on the following page. 

△Note • Please read rating and △CAUTION (for storage, operating, rating, soldering, mounting and handling) in this catalog to prevent smoking and/or burning, etc.  
• This catalog has only typical specifications because there is no space for detailed specifications. Therefore, please review our product specifications or consult the approval sheet for product specifications before ordering.



⑩ Packaging

Code	Packaging	Series
<b>K</b>	Embossed Taping (ø330mm Reel)	<b>LQH<sup>*1</sup> /LQM31F/LQM21<sup>*2</sup></b>
<b>L</b>	Embossed Taping (ø180mm Reel)	<b>LQH/LQM18P/LQM31F/LQM21<sup>*2</sup> /LQM31P/LQM2HP/LQM2MP</b>
<b>E</b>		<b>LQH3NP_MR</b>
<b>B</b>	Bulk	<b>LQH2MC/LQM/LQW</b>
<b>J</b>	Paper Taping (ø330mm Reel)	<b>LQM18/LQM21<sup>*3</sup></b>
<b>D</b>	Paper Taping (ø180mm Reel)	<b>LQM18/LQM21<sup>*4</sup> /LQW</b>

\*1 Except LQH2MC/LQH2HP\_G0/LQH3NP/LQH43C

\*2 LQM21D(22 - 47μH)/LQM21F(4.7 - 47μH) only.

\*3 LQM21D(1.0 - 10μH)/LQM21F(1.0 - 2.2μH) only.

\*4 LQM21D(1.0 - 10μH)/LQM21F(1.0 - 2.2μH)/LQM21P only.

⚠Note • Please read rating and ⚠CAUTION (for storage, operating, rating, soldering, mounting and handling) in this catalog to prevent smoking and/or burning, etc.  
 • This catalog has only typical specifications because there is no space for detailed specifications. Therefore, please review our product specifications or consult the approval sheet for product specifications before ordering.

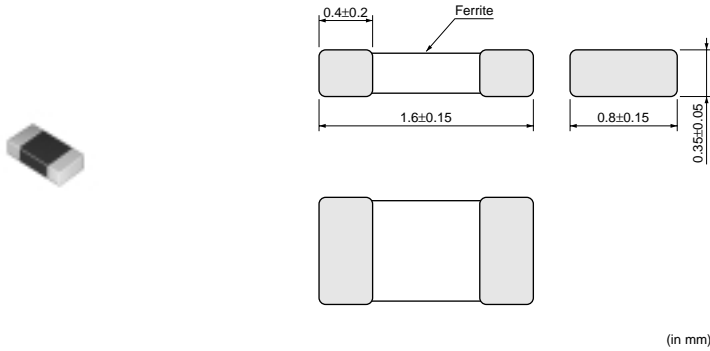
# LQM18P\_B0 Series (0603 Size)

LQM18P\_B0



0603 Size, 0.4mm max. Thickness

### ■ Dimensions



### ■ Packaging

Code	Packaging	Minimum Quantity
L	180mm Embossed Tape	4000
B	Bulk(Bag)	1000

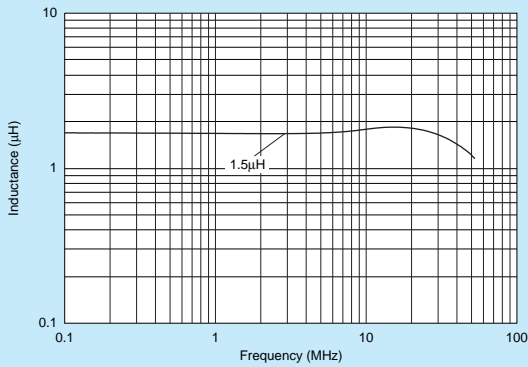
Refer to pages from p.80 to p.83 for mounting information.

### ■ Rated Value (□: packaging code)

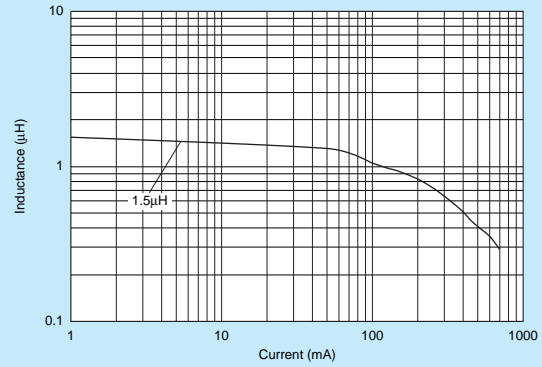
Part Number	Inductance	Rated Current	DC Resistance	Self Resonance Frequency (min.)	
LQM18PN1R5NB0□	1.5μH±30%	600mA	0.35ohm ±25%	50MHz	New Kit

Test Frequency: 1MHz Class of Magnetic Shield: Magnetic shield of ferrite Operating Temperature Range: -55°C to +125°C

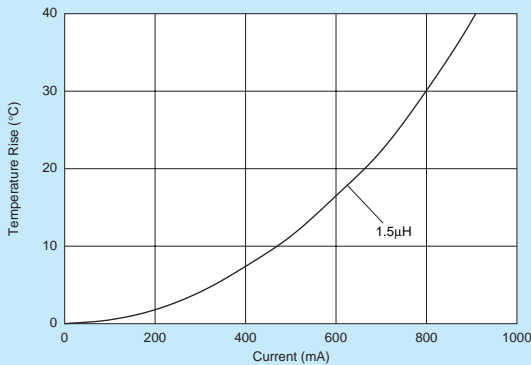
### ■ Inductance-Frequency Characteristics (Typ.)



### ■ Inductance-Current Characteristics (Typ.)



### ■ Temperature Rise Characteristics (Typ.)




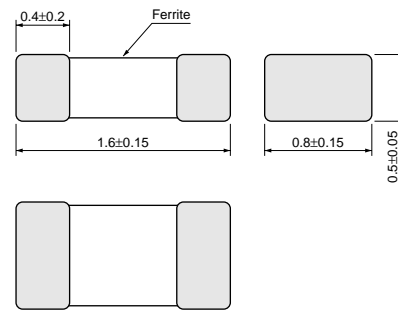
⚠Note • Please read rating and ⚠CAUTION (for storage, operating, rating, soldering, mounting and handling) in this catalog to prevent smoking and/or burning, etc.  
 • This catalog has only typical specifications because there is no space for detailed specifications. Therefore, please review our product specifications or consult the approval sheet for product specifications before ordering.

# LQM18P\_C0 Series (0603 Size)

Thickness <b>0.55mm</b> max.	Ferrite Core Shield	Flow OK	Reflow OK	New
------------------------------------	---------------------------	---------	-----------	-----

0603 Size, 0.55mm max. Thickness

■ Dimensions

(in mm)

■ Packaging

Code	Packaging	Minimum Quantity
L	180mm Embossed Tape	4000
B	Bulk(Bag)	1000

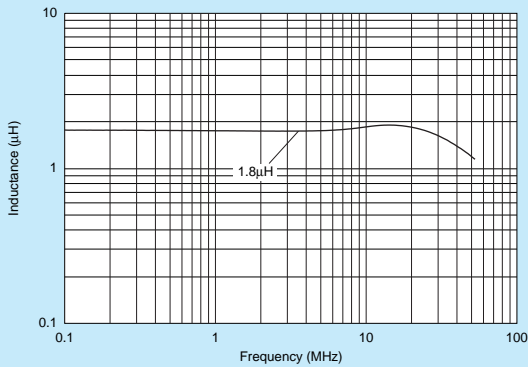
Refer to pages from p.80 to p.83 for mounting information.

■ Rated Value (□: packaging code)

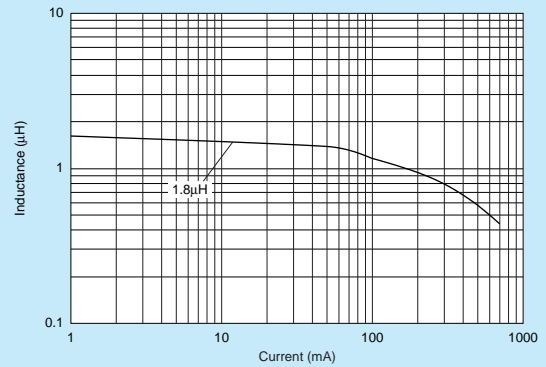
Part Number	Inductance	Rated Current	DC Resistance	Self Resonance Frequency (min.)	
LQM18PN1R8NC0□	1.8μH±30%	700mA	0.24ohm ±25%	50MHz	New Kit

Test Frequency: 1MHz Class of Magnetic Shield: Magnetic shield of ferrite Operating Temperature Range: -55°C to +125°C

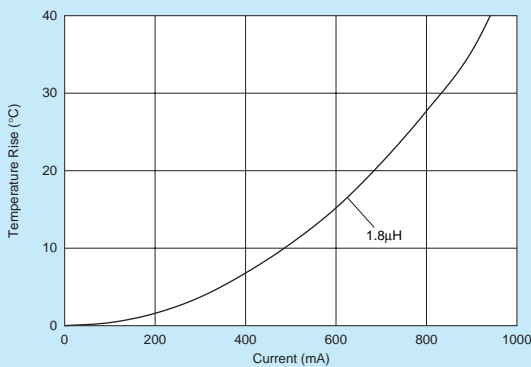
■ Inductance-Frequency Characteristics (Typ.)



■ Inductance-Current Characteristics (Typ.)



■ Temperature Rise Characteristics (Typ.)



△Note • Please read rating and △CAUTION (for storage, operating, rating, soldering, mounting and handling) in this catalog to prevent smoking and/or burning, etc.  
 • This catalog has only typical specifications because there is no space for detailed specifications. Therefore, please review our product specifications or consult the approval sheet for product specifications before ordering.

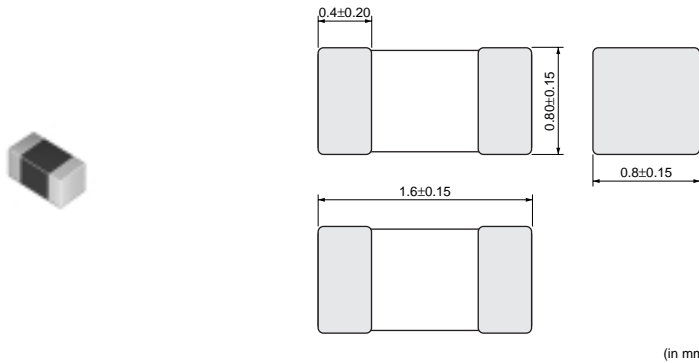
# LQM18P\_F0 Series (0603 Size)

LQM18P\_F0

Thickness <b>0.95</b> mm max.	Ferrite Core Shield	Flow OK	Reflow OK	New
-------------------------------------	---------------------------	---------	-----------	-----

0603 Size, 0.95mm max. Thickness

### ■ Dimensions



### ■ Packaging

Code	Packaging	Minimum Quantity
L	180mm Embossed Tape	4000
B	Bulk(Bag)	1000

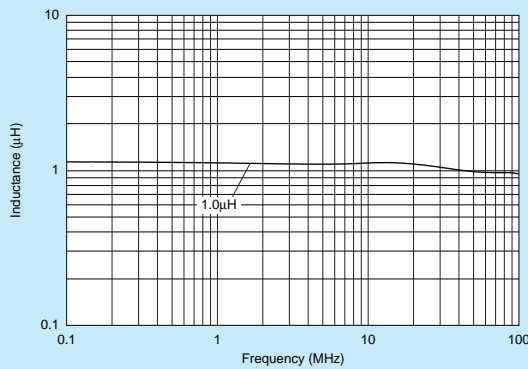
Refer to pages from p.80 to p.83 for mounting information.

### ■ Rated Value (□: packaging code)

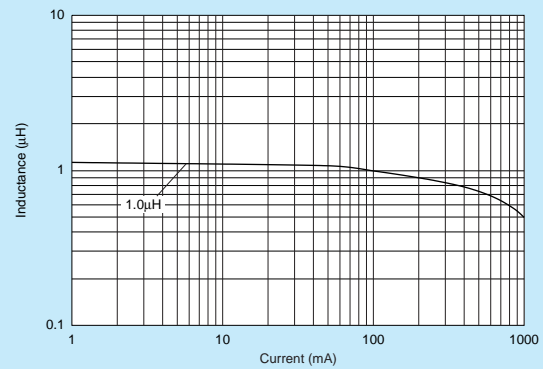
Part Number	Inductance	Rated Current	DC Resistance	Self Resonance Frequency (min.)	
LQM18PN1R0NF0□	1.0μH±30%	600mA	0.28ohm ±25%	50MHz	New Kit

Test Frequency: 1MHz Class of Magnetic Shield: Magnetic shield of ferrite Operating Temperature Range: -55°C to +125°C

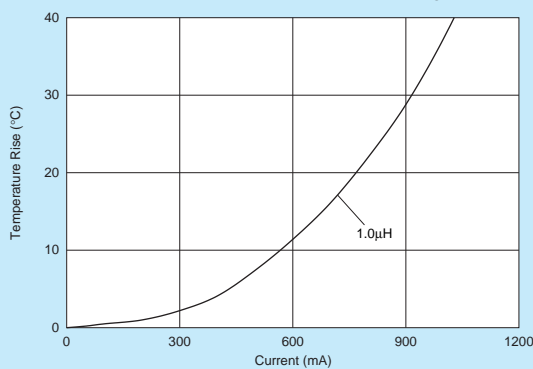
### ■ Inductance-Frequency Characteristics (Typ.)



### ■ Inductance-Current Characteristics (Typ.)



### ■ Temperature Rise Characteristics (Typ.)



△Note • Please read rating and △CAUTION (for storage, operating, rating, soldering, mounting and handling) in this catalog to prevent smoking and/or burning, etc.  
• This catalog has only typical specifications because there is no space for detailed specifications. Therefore, please review our product specifications or consult the approval sheet for product specifications before ordering.

Inductor for Power Lines (Power Inductor)  
Multilayer Magnetic Type for Voltage Conversion

Inductor for Low Frequency Circuits

RF Inductor

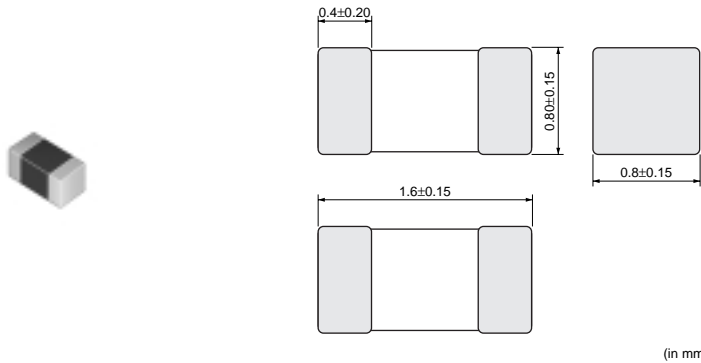
# LQM18P-**FR** Series (0603 Size)

LQM18P\_FR



## Low DC Resistance Type

### ■ Dimensions



### ■ Packaging

Code	Packaging	Minimum Quantity
L	180mm Embossed Tape	4000
B	Bulk(Bag)	1000

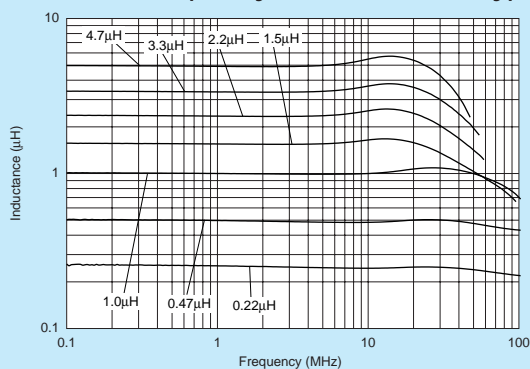
Refer to pages from p.80 to p.83 for mounting information.

### ■ Rated Value (□: packaging code)

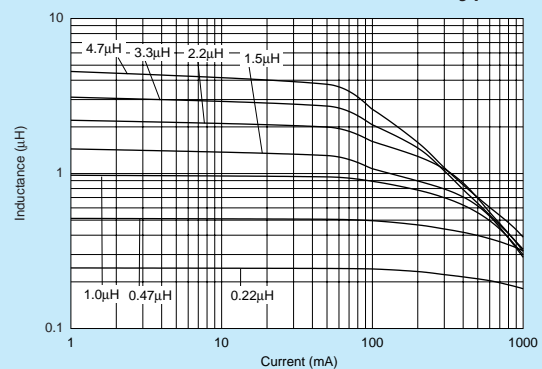
Part Number	Inductance	Rated Current	DC Resistance	Self Resonance Frequency (min.)	
LQM18PNR22NFR□	0.22μH±30%	1250mA	0.11ohm ±25%	100MHz	New Kit
LQM18PNR47NFR□	0.47μH±30%	1100mA	0.15ohm ±25%	100MHz	New Kit
LQM18PN1R0MFR□	1.0μH±20%	950mA	0.20ohm ±25%	100MHz	New Kit
LQM18PN1R5MFR□	1.5μH±20%	800mA	0.23ohm ±25%	100MHz	New Kit
LQM18PN2R2MFR□	2.2μH±20%	750mA	0.30ohm ±25%	70MHz	New Kit
LQM18PN3R3MFR□	3.3μH±20%	700mA	0.35ohm ±25%	60MHz	New Kit
LQM18PN4R7MFR□	4.7μH±20%	620mA	0.44ohm ±25%	40MHz	New Kit

Test Frequency: 1MHz Class of Magnetic Shield: Magnetic shield of ferrite Operating Temperature Range: -40°C to +85°C

### ■ Inductance-Frequency Characteristics (Typ.)



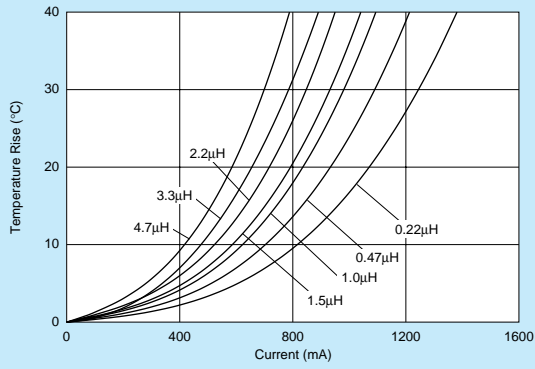
### ■ Inductance-Current Characteristics (Typ.)



Continued on the following page.

△Note • Please read rating and △CAUTION (for storage, operating, rating, soldering, mounting and handling) in this catalog to prevent smoking and/or burning, etc.  
 • This catalog has only typical specifications because there is no space for detailed specifications. Therefore, please review our product specifications or consult the approval sheet for product specifications before ordering.

■ Temperature Rise Characteristics (Typ.)



△Note • Please read rating and △CAUTION (for storage, operating, rating, soldering, mounting and handling) in this catalog to prevent smoking and/or burning, etc.  
• This catalog has only typical specifications because there is no space for detailed specifications. Therefore, please review our product specifications or consult the approval sheet for product specifications before ordering.



# LQM21P-C0 Series (0805 Size)

LQM21P\_C0

Thickness  
0.55mm  
max.

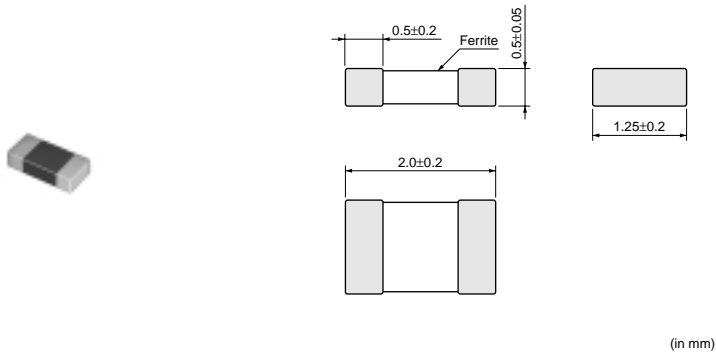
Ferrite  
Core  
Shield

Flow OK

Reflow  
OK

0805 Size, 0.55mm max. Thickness

### ■ Dimensions



### ■ Packaging

Code	Packaging	Minimum Quantity
D	180mm Paper Tape	4000
B	Bulk(Bag)	1000

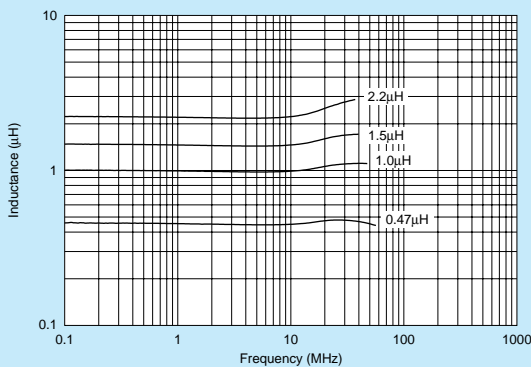
Refer to pages from p.80 to p.83 for mounting information.

### ■ Rated Value (□: packaging code)

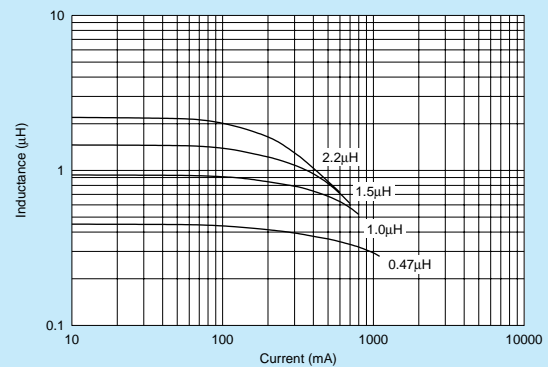
Part Number	Inductance	Rated Current	DC Resistance	Self Resonance Frequency (min.)	Operating Temperature Range	
LQM21PNR47MC0□	0.47μH±20%	1100mA	0.12ohm±25%	100MHz	-55°C to +125°C	Kit
LQM21PN1R0MC0□	1.0μH±20%	800mA	0.19ohm±25%	90MHz	-55°C to +125°C	Kit
LQM21PN1R5MC0□	1.5μH±20%	700mA	0.26ohm±25%	70MHz	-55°C to +125°C	Kit
LQM21PN2R2MC0□	2.2μH±20%	600mA	0.34ohm±25%	50MHz	-55°C to +125°C	Kit

Test Frequency: 1MHz Class of Magnetic Shield: Magnetic shield of ferrite

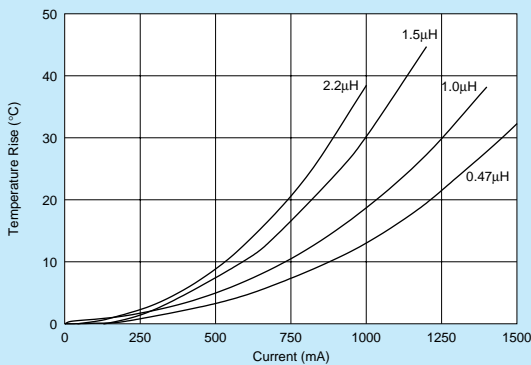
### ■ Inductance-Frequency Characteristics (Typ.)



### ■ Inductance-Current Characteristics (Typ.)



### ■ Temperature Rise Characteristics (Typ.)



△Note • Please read rating and △CAUTION (for storage, operating, rating, soldering, mounting and handling) in this catalog to prevent smoking and/or burning, etc.  
• This catalog has only typical specifications because there is no space for detailed specifications. Therefore, please review our product specifications or consult the approval sheet for product specifications before ordering.

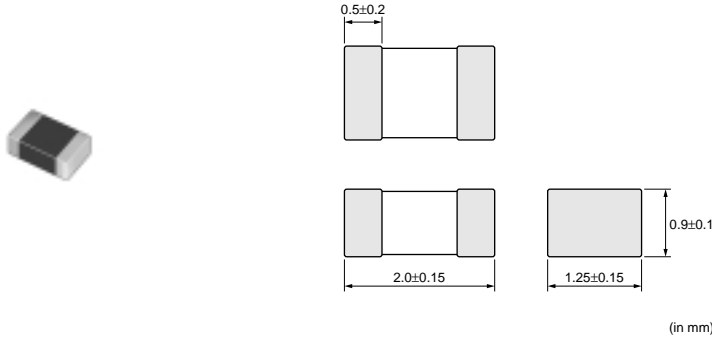
# LQM21P-GO Series (0805 Size)

LQM21P\_GO



0805 Size, 1.0mm max. Thickness

### ■ Dimensions



### ■ Packaging

Code	Packaging	Minimum Quantity
D	180mm Paper Tape	4000
B	Bulk(Bag)	1000

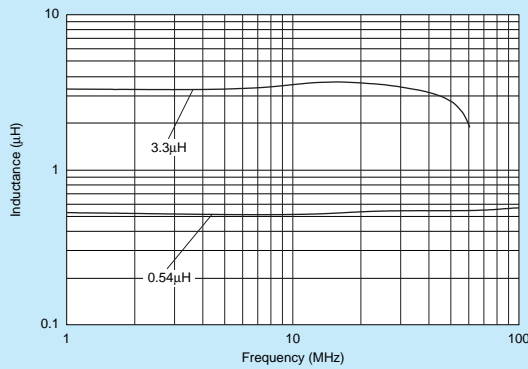
Refer to pages from p.80 to p.83 for mounting information.

### ■ Rated Value (□: packaging code)

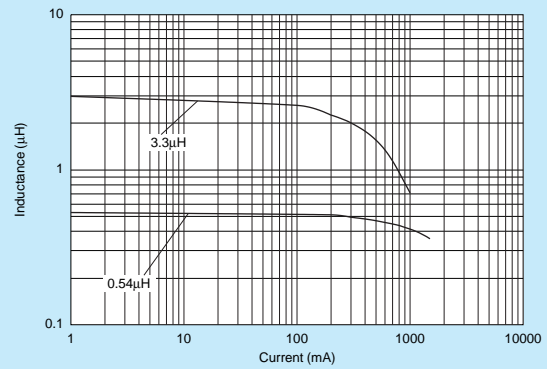
Part Number	Inductance	Rated Current	DC Resistance	Self Resonance Frequency (min.)	
LQM21PNR54MG0□	0.54μH±20%	1300mA	0.075ohm ±25%	100MHz	Kit
LQM21PN3R3MG0□	3.3μH±20%	800mA	0.165ohm ±25%	30MHz	New Kit
LQM21PN3R3NG0□	3.3μH±30%	800mA	0.165ohm ±25%	30MHz	New

Test Frequency: 1MHz Class of Magnetic Shield: Magnetic shield of ferrite Operating Temperature Range: -55°C to +125°C

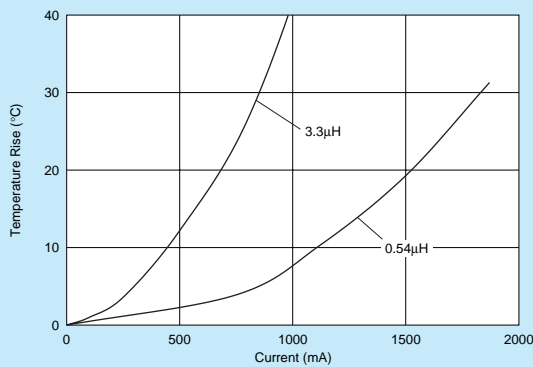
### ■ Inductance-Frequency Characteristics (Typ.)



### ■ Inductance-Current Characteristics (Typ.)



### ■ Temperature Rise Characteristics (Typ.)

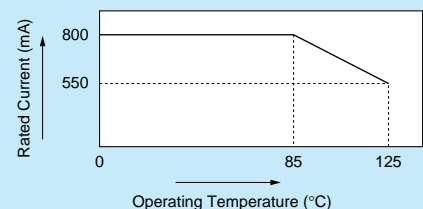


### ■ Notice (Rating)

In operating temperature exceeding +85°C, derating of current is necessary for LQM21PN3R3MG0/LQM21PN3R3NG0. Please apply the derating curve shown in chart according to the operating temperature.

#### Derating

(LQM21PN3R3MG0/LQM21PN3R3NG0)




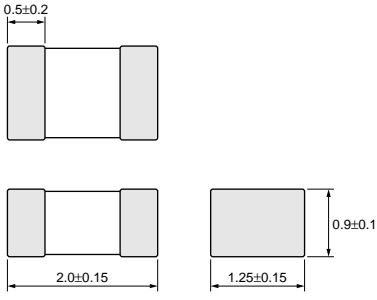
△Note • Please read rating and △CAUTION (for storage, operating, rating, soldering, mounting and handling) in this catalog to prevent smoking and/or burning, etc.  
• This catalog has only typical specifications because there is no space for detailed specifications. Therefore, please review our product specifications or consult the approval sheet for product specifications before ordering.

# LQM21P\_GC Series (0805 Size)

Thickness <b>1.0mm</b> max.	Ferrite Core Shield	Flow OK	Reflow OK	New
-----------------------------------	---------------------------	---------	-----------	-----

## Bias Current Characteristics Improved

■ Dimensions

(in mm)

■ Packaging

Code	Packaging	Minimum Quantity
D	180mm Paper Tape	4000
B	Bulk(Bag)	1000

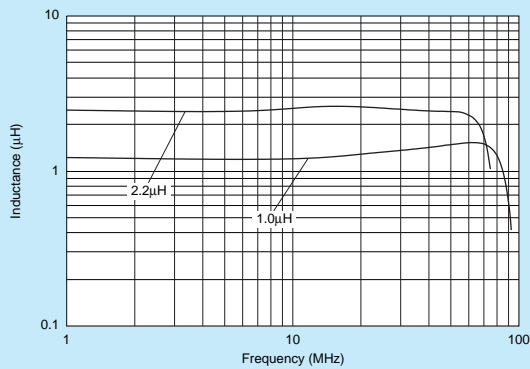
Refer to pages from p.80 to p.83 for mounting information.

■ Rated Value (□: packaging code)

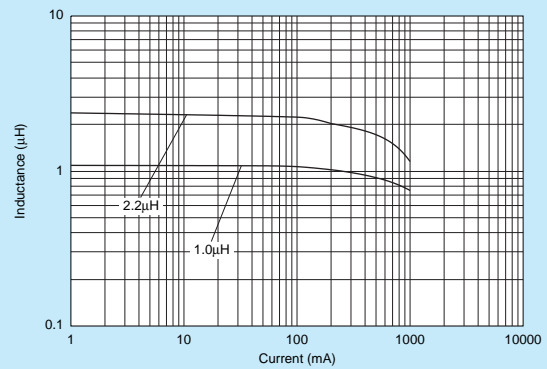
Part Number	Inductance	Rated Current	DC Resistance	Self Resonance Frequency (min.)	
LQM21PN1R0NGC□	1.0μH±30%	0.9A	0.10ohm ±25%	50MHz	New Kit
LQM21PN2R2NGC□	2.2μH±30%	0.8A	0.23ohm ±25%	40MHz	New Kit

Test Frequency: 1MHz    Class of Magnetic Shield: Magnetic shield of ferrite    Operating Temperature Range: -55°C to +125°C

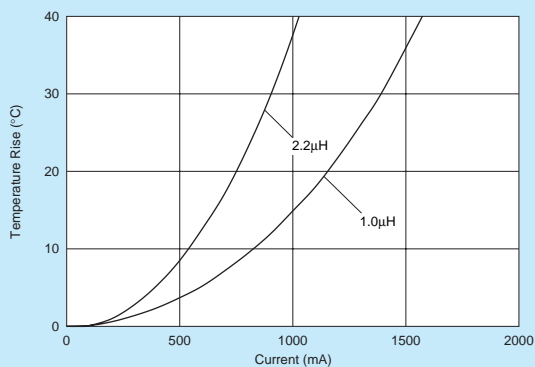
■ Inductance-Frequency Characteristics (Typ.)



■ Inductance-Current Characteristics (Typ.)



■ Temperature Rise Characteristics (Typ.)



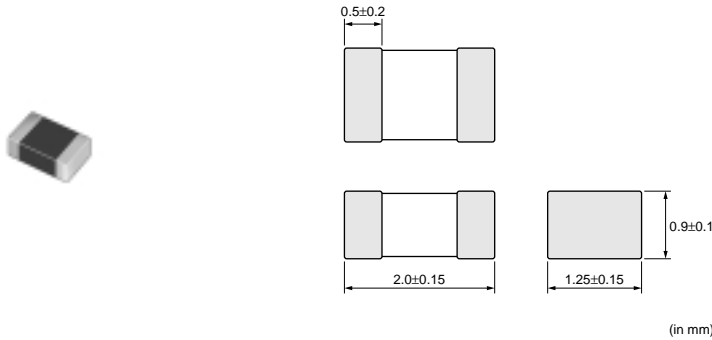
△Note • Please read rating and △CAUTION (for storage, operating, rating, soldering, mounting and handling) in this catalog to prevent smoking and/or burning, etc.  
• This catalog has only typical specifications because there is no space for detailed specifications. Therefore, please review our product specifications or consult the approval sheet for product specifications before ordering.

# LQM21P-GR Series (0805 Size)



## Low DC Resistance Type

### ■ Dimensions



### ■ Packaging

Code	Packaging	Minimum Quantity
D	180mm Paper Tape	4000
B	Bulk(Bag)	1000

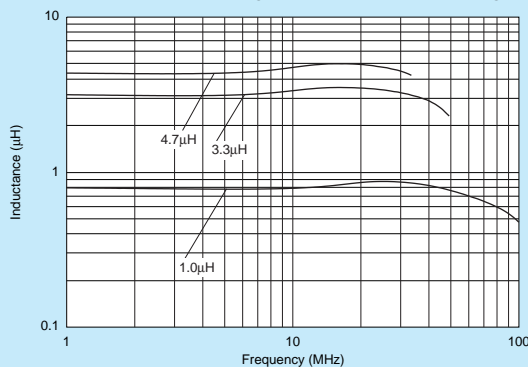
Refer to pages from p.80 to p.83 for mounting information.

### ■ Rated Value (□: packaging code)

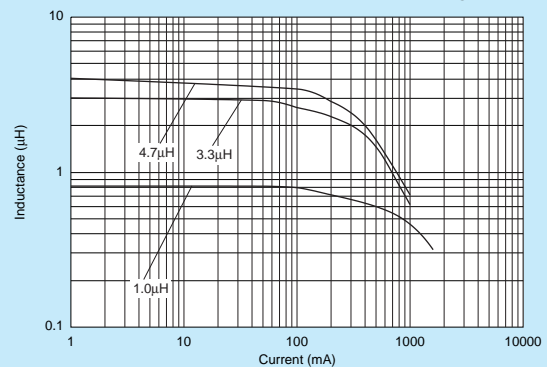
Part Number	Inductance	Rated Current	DC Resistance	Self Resonance Frequency (min.)	
LQM21PN1R0NGR□	1.0μH±30%	1.3A	0.066ohm ±25%	50MHz	New Kit
LQM21PN3R3MGR□	3.3μH±20%	1.0A	0.150ohm ±25%	30MHz	New Kit
LQM21PN3R3NGR□	3.3μH±30%	1.0A	0.150ohm ±25%	30MHz	New
LQM21PN4R7MGR□	4.7μH±20%	0.8A	0.23ohm ±25%	30MHz	New Kit
LQM21PN4R7NGR□	4.7μH±30%	0.8A	0.23ohm ±25%	30MHz	New

Test Frequency: 1MHz Class of Magnetic Shield: Magnetic shield of ferrite Operating Temperature Range: -55°C to +125°C

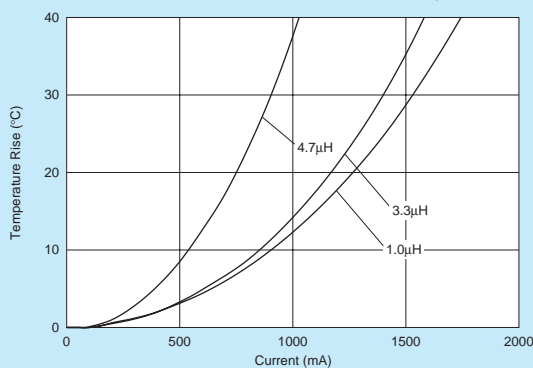
### ■ Inductance-Frequency Characteristics (Typ.)



### ■ Inductance-Current Characteristics (Typ.)



### ■ Temperature Rise Characteristics (Typ.)



△Note • Please read rating and △CAUTION (for storage, operating, rating, soldering, mounting and handling) in this catalog to prevent smoking and/or burning, etc.  
 • This catalog has only typical specifications because there is no space for detailed specifications. Therefore, please review our product specifications or consult the approval sheet for product specifications before ordering.

Inductor for Power Lines (Power Inductor)  
Multilayer Magnetic Type for Voltage Conversion

Inductor for Low Frequency Circuits

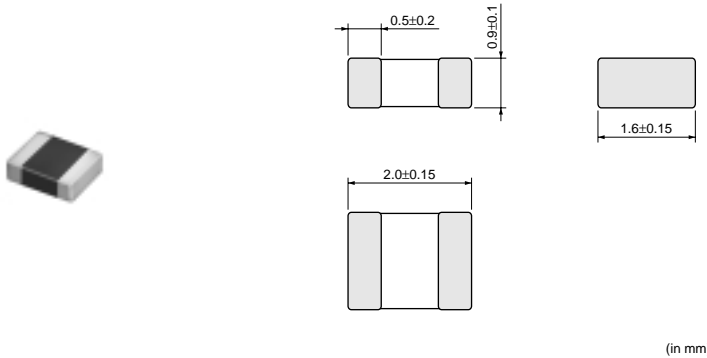
RF Inductor

# LQM2MP\_G0 Series (0806 Size)



0806 Size, 1.0mm max. Thickness

■ Dimensions



■ Packaging

Code	Packaging	Minimum Quantity
L	180mm Embossed Tape	3000
B	Bulk(Bag)	1000

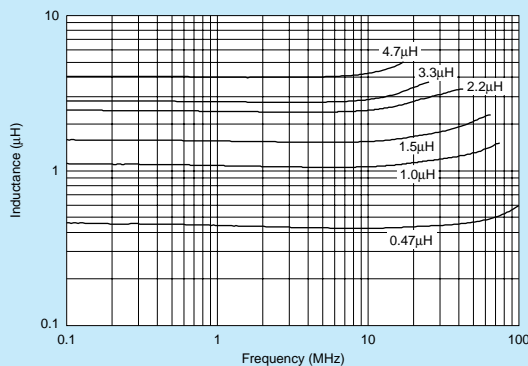
Refer to pages from p.80 to p.83 for mounting information.

■ Rated Value (□: packaging code)

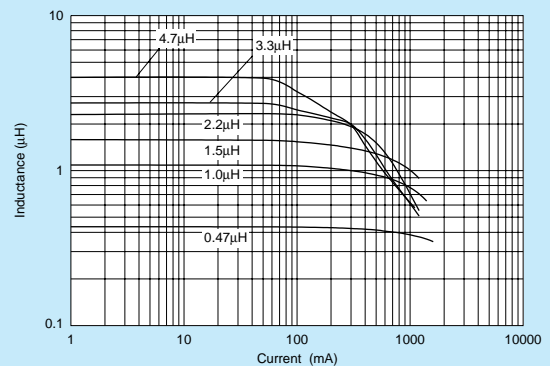
Part Number	Inductance	Rated Current	DC Resistance	Self Resonance Frequency (min.)	
LQM2MPNR47MG0□	0.47μH±20%	1600mA	0.060ohm ±25%	100MHz	New Kit
LQM2MPNR47NG0□	0.47μH±30%	1600mA	0.06ohm ±25%	100MHz	
LQM2MPN1R0NG0□	1.0μH±30%	1400mA	0.085ohm ±25%	60MHz	Kit
LQM2MPN1R5MG0□	1.5μH±20%	1200mA	0.11ohm ±25%	50MHz	New Kit
LQM2MPN1R5NG0□	1.5μH±30%	1200mA	0.11ohm ±25%	50MHz	
LQM2MPN2R2MG0□	2.2μH±20%	1200mA	0.11ohm ±25%	40MHz	New Kit
LQM2MPN2R2NG0□	2.2μH±30%	1200mA	0.11ohm ±25%	40MHz	
LQM2MPN3R3NG0□	3.3μH±30%	1200mA	0.12ohm ±25%	30MHz	Kit
LQM2MPN4R7MG0□	4.7μH±20%	1100mA	0.14ohm ±25%	20MHz	New Kit
LQM2MPN4R7NG0□	4.7μH±30%	1100mA	0.14ohm ±25%	20MHz	

Test Frequency: 1MHz Class of Magnetic Shield: Magnetic shield of ferrite Operating Temperature Range: -55°C to +125°C

■ Inductance-Frequency Characteristics (Typ.)



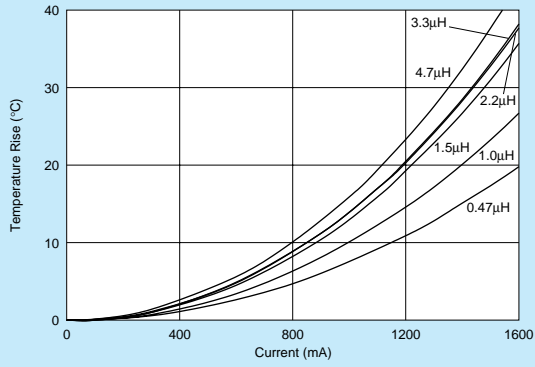
■ Inductance-Current Characteristics (Typ.)



Continued on the following page.

△Note • Please read rating and △CAUTION (for storage, operating, rating, soldering, mounting and handling) in this catalog to prevent smoking and/or burning, etc.  
 • This catalog has only typical specifications because there is no space for detailed specifications. Therefore, please review our product specifications or consult the approval sheet for product specifications before ordering.

■ Temperature Rise Characteristics (Typ.)



⚠Note • Please read rating and ⚠CAUTION (for storage, operating, rating, soldering, mounting and handling) in this catalog to prevent smoking and/or burning, etc.  
• This catalog has only typical specifications because there is no space for detailed specifications. Therefore, please review our product specifications or consult the approval sheet for product specifications before ordering.

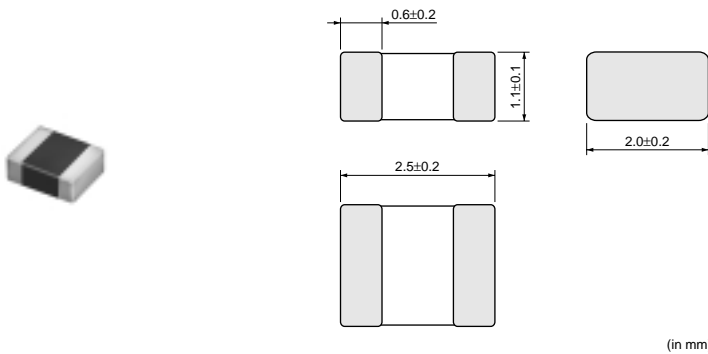


# LQM2HP\_J0 Series (1008 Size)



1008 Size, 1.2mm max. Thickness

### ■ Dimensions



### ■ Packaging

Code	Packaging	Minimum Quantity
L	180mm Embossed Tape	3000
B	Bulk(Bag)	1000

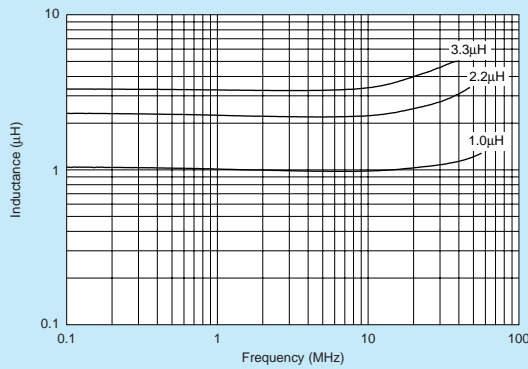
Refer to pages from p.80 to p.83 for mounting information.

### ■ Rated Value (□: packaging code)

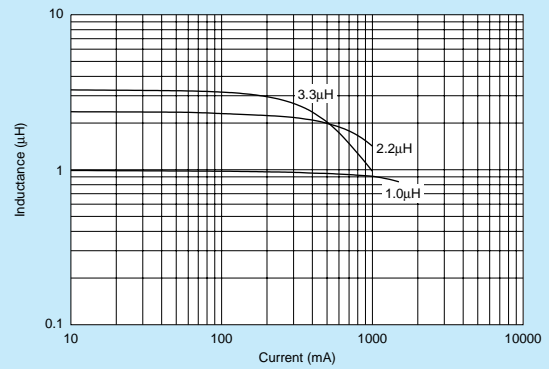
Part Number	Inductance	Rated Current	DC Resistance	Self Resonance Frequency (min.)	Operating Temperature Range	
LQM2HPN1R0MJ0□	1.0μH±20%	1500mA	0.09ohm±25%	70MHz	-55°C to +125°C	Kit
LQM2HPN2R2MJ0□	2.2μH±20%	1000mA	0.12ohm±25%	40MHz	-55°C to +125°C	Kit
LQM2HPN3R3MJ0□	3.3μH±20%	1000mA	0.12ohm±25%	30MHz	-55°C to +125°C	Kit

Test Frequency: 1MHz Class of Magnetic Shield: Magnetic shield of ferrite

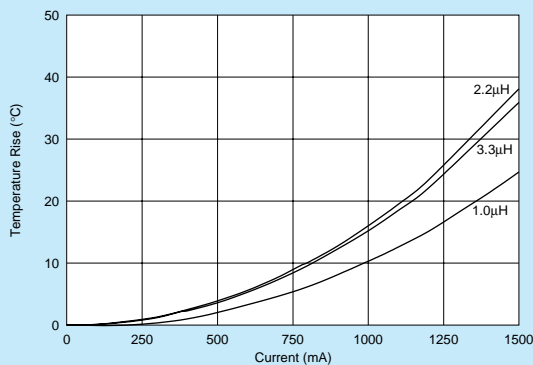
### ■ Inductance-Frequency Characteristics (Typ.)



### ■ Inductance-Current Characteristics (Typ.)



### ■ Temperature Rise Characteristics (Typ.)



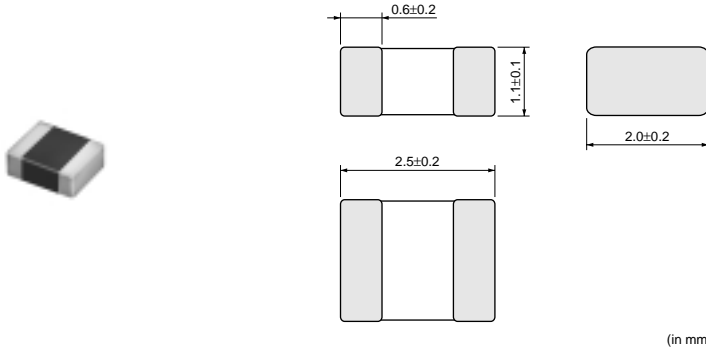
△Note • Please read rating and △CAUTION (for storage, operating, rating, soldering, mounting and handling) in this catalog to prevent smoking and/or burning, etc.  
 • This catalog has only typical specifications because there is no space for detailed specifications. Therefore, please review our product specifications or consult the approval sheet for product specifications before ordering.

# LQM2HP\_JC Series (1008 Size)



## Bias Current Characteristics Improved

### ■ Dimensions



### ■ Packaging

Code	Packaging	Minimum Quantity
L	180mm Embossed Tape	3000
B	Bulk(Bag)	1000

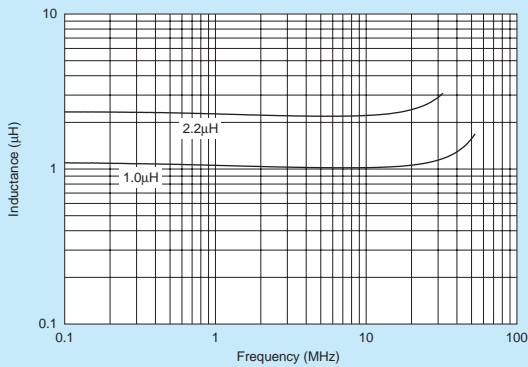
Refer to pages from p.80 to p.83 for mounting information.

### ■ Rated Value (□: packaging code)

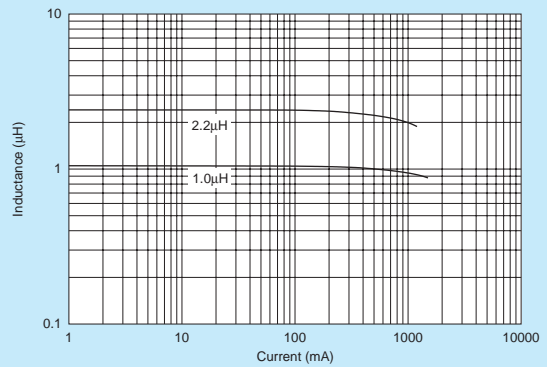
Part Number	Inductance	Rated Current	DC Resistance	Self Resonance Frequency (min.)	Operating Temperature Range	
LQM2HPN1R0MJC□	1.0μH±20%	1500mA	0.086ohm±25%	50MHz	-55°C to +125°C	Kit
LQM2HPN2R2NJC□	2.2μH±30%	1000mA	0.175ohm±25%	30MHz	-55°C to +125°C	Kit

Test Frequency: 1MHz Class of Magnetic Shield: Magnetic shield of ferrite

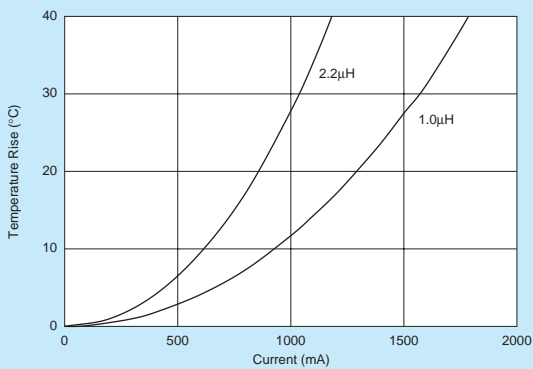
### ■ Inductance-Frequency Characteristics (Typ.)



### ■ Inductance-Current Characteristics (Typ.)



### ■ Temperature Rise Characteristics (Typ.)



△Note • Please read rating and △CAUTION (for storage, operating, rating, soldering, mounting and handling) in this catalog to prevent smoking and/or burning, etc.  
 • This catalog has only typical specifications because there is no space for detailed specifications. Therefore, please review our product specifications or consult the approval sheet for product specifications before ordering.

# LQM2HP\_G0 Series (1008 Size)

LQM2HP\_G0

Thickness  
**1.0mm**  
max.

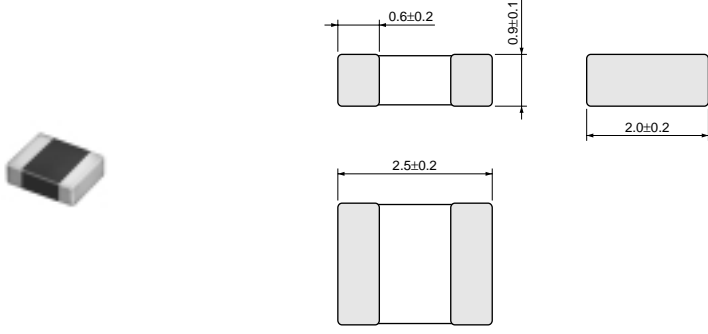
Ferrite  
Core  
Shield

Flow OK

Reflow  
OK

1008 Size, 1.0mm max. Thickness

### ■ Dimensions



(in mm)

### ■ Packaging

Code	Packaging	Minimum Quantity
L	180mm Embossed Tape	3000
B	Bulk(Bag)	1000

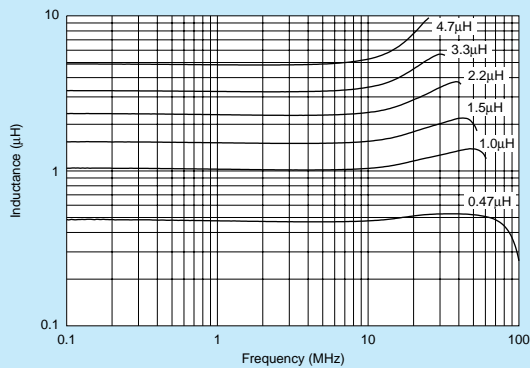
Refer to pages from p.80 to p.83 for mounting information.

### ■ Rated Value (□: packaging code)

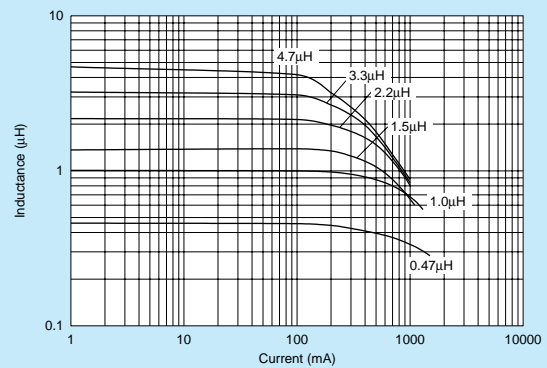
Part Number	Inductance	Rated Current	DC Resistance	Self Resonance Frequency (min.)	Operating Temperature Range	
LQM2HPNR47MG0□	0.47μH±20%	1800mA	0.04ohm±25%	100MHz	-55°C to +125°C	Kit
LQM2HPN1R0MG0□	1.0μH±20%	1600mA	0.055ohm±25%	60MHz	-55°C to +125°C	Kit
LQM2HPN1R5MG0□	1.5μH±20%	1500mA	0.07ohm±25%	50MHz	-55°C to +125°C	Kit
LQM2HPN2R2MG0□	2.2μH±20%	1300mA	0.08ohm±25%	40MHz	-55°C to +125°C	Kit
LQM2HPN3R3MG0□	3.3μH±20%	1200mA	0.10ohm±25%	30MHz	-55°C to +125°C	Kit
LQM2HPN4R7MG0□	4.7μH±20%	1100mA	0.11ohm±25%	25MHz	-55°C to +125°C	Kit

Test Frequency: 1MHz Class of Magnetic Shield: Magnetic shield of ferrite

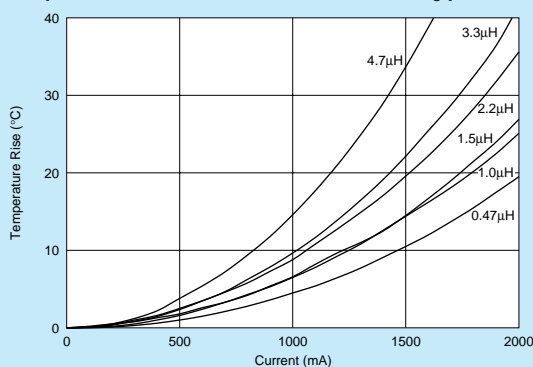
### ■ Inductance-Frequency Characteristics (Typ.)



### ■ Inductance-Current Characteristics (Typ.)



### ■ Temperature Rise Characteristics (Typ.)



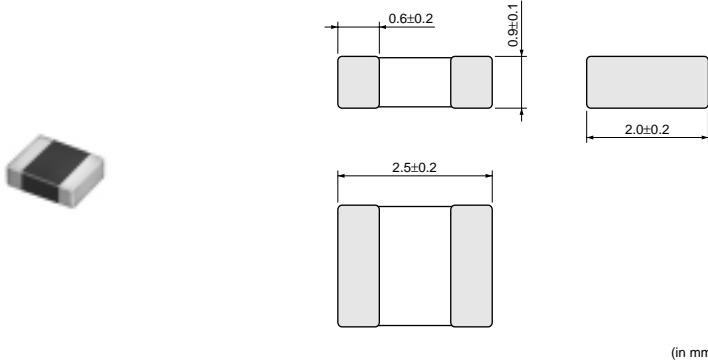
△Note • Please read rating and △CAUTION (for storage, operating, rating, soldering, mounting and handling) in this catalog to prevent smoking and/or burning, etc.  
• This catalog has only typical specifications because there is no space for detailed specifications. Therefore, please review our product specifications or consult the approval sheet for product specifications before ordering.

# LQM2HP\_GC Series (1008 Size)

Thickness <b>1.0mm</b> max.	Ferrite Core Shield	Flow OK	Reflow OK	New
-----------------------------------	---------------------------	---------	-----------	-----

## Bias Current Characteristics Improved

### ■ Dimensions



### ■ Packaging

Code	Packaging	Minimum Quantity
L	180mm Embossed Tape	3000
B	Bulk(Bag)	1000

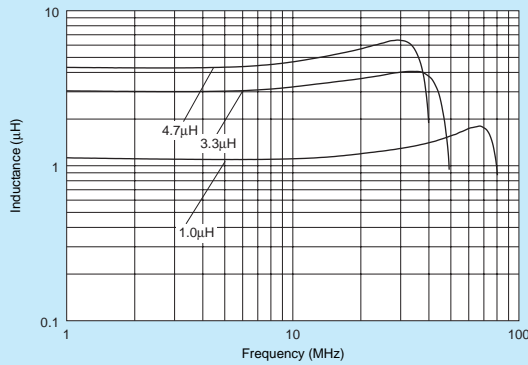
Refer to pages from p.80 to p.83 for mounting information.

### ■ Rated Value (□: packaging code)

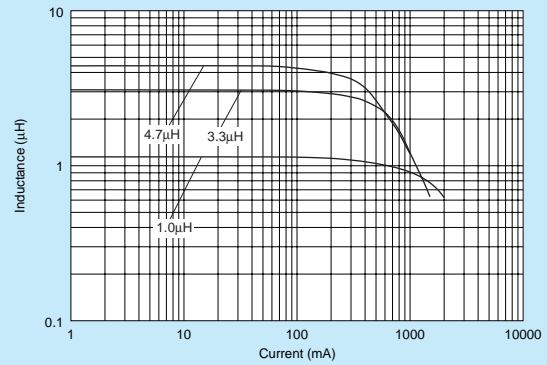
Part Number	Inductance	Rated Current	DC Resistance	Self Resonance Frequency (min.)	Operating Temperature Range	
LQM2HPN1R0MGC□	1.0μH±20%	1500mA	0.08ohm±25%	50MHz	-30°C to +85°C	New Kit
LQM2HPN3R3MGC□	3.3μH±20%	1000mA	0.16ohm±25%	30MHz	-55°C to +125°C	Kit
LQM2HPN4R7MGC□	4.7μH±20%	800mA	0.18ohm±25%	25MHz	-55°C to +125°C	Kit

Test Frequency: 1MHz Class of Magnetic Shield: Magnetic shield of ferrite

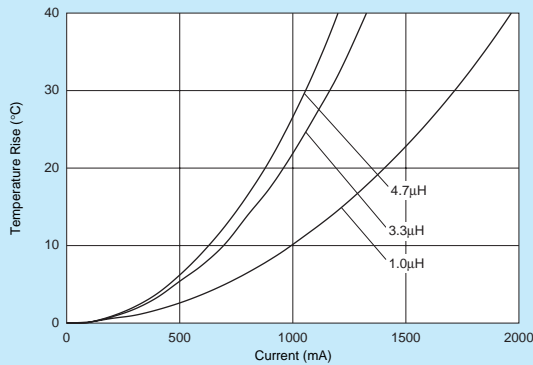
### ■ Inductance-Frequency Characteristics (Typ.)



### ■ Inductance-Current Characteristics (Typ.)



### ■ Temperature Rise Characteristics (Typ.)



△Note • Please read rating and △CAUTION (for storage, operating, rating, soldering, mounting and handling) in this catalog to prevent smoking and/or burning, etc.  
• This catalog has only typical specifications because there is no space for detailed specifications. Therefore, please review our product specifications or consult the approval sheet for product specifications before ordering.

# LQM2HP\_E0 Series (1008 Size)

LQM2HP\_E0

Thickness  
**0.8mm**  
max.

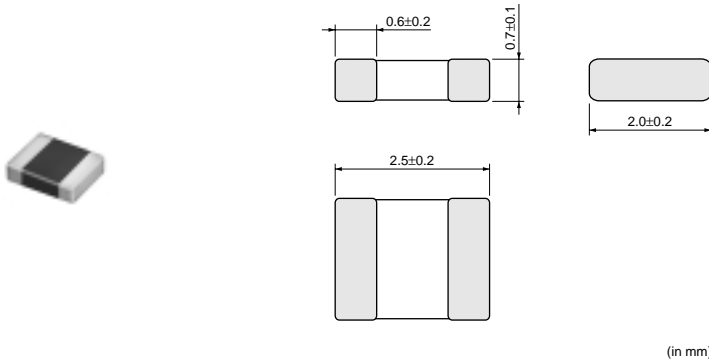
Ferrite  
Core  
Shield

Flow  
OK

Reflow  
OK

1008 Size, 0.8mm max. Thickness

### ■ Dimensions



### ■ Packaging

Code	Packaging	Minimum Quantity
L	180mm Embossed Tape	3000
B	Bulk(Bag)	1000

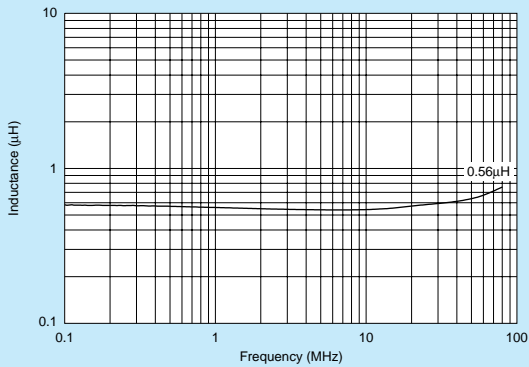
Refer to pages from p.80 to p.83 for mounting information.

### ■ Rated Value (□: packaging code)

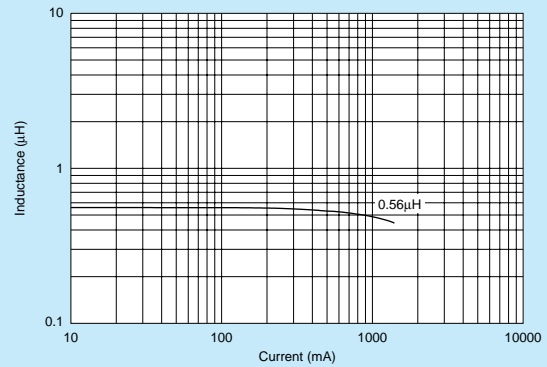
Part Number	Inductance	Rated Current	DC Resistance	Self Resonance Frequency (min.)	
LQM2HPNR56ME0□	0.56μH±20%	1500mA	0.06ohm±25%	70MHz	Kit

Test Frequency: 1MHz Class of Magnetic Shield: Magnetic shield of ferrite Operating Temperature Range: -55°C to +125°C

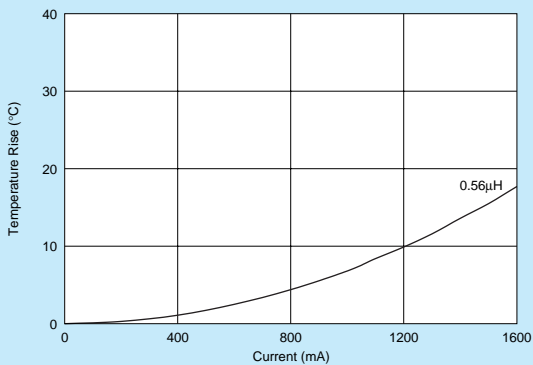
### ■ Inductance-Frequency Characteristics (Typ.)



### ■ Inductance-Current Characteristics (Typ.)



### ■ Temperature Rise Characteristics (Typ.)



△Note • Please read rating and △CAUTION (for storage, operating, rating, soldering, mounting and handling) in this catalog to prevent smoking and/or burning, etc.  
• This catalog has only typical specifications because there is no space for detailed specifications. Therefore, please review our product specifications or consult the approval sheet for product specifications before ordering.

# LQM31P\_00 Series (1206 Size)

LQM31P\_00

Thickness  
0.95mm  
max.

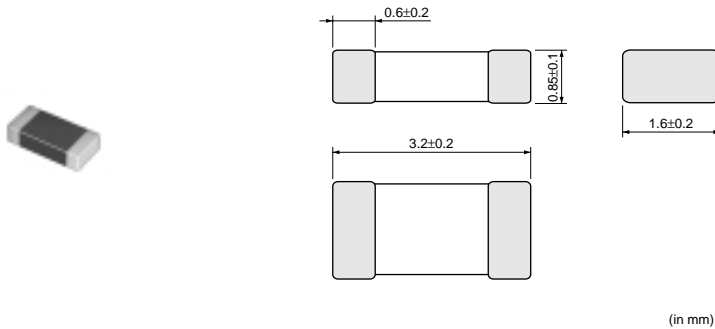
Ferrite  
Core  
Shield

Flow OK

Reflow  
OK

1206 Size 0.95mm max. Thickness

### ■ Dimensions



### ■ Packaging

Code	Packaging	Minimum Quantity
L	180mm Embossed Tape	3000
B	Bulk(Bag)	1000

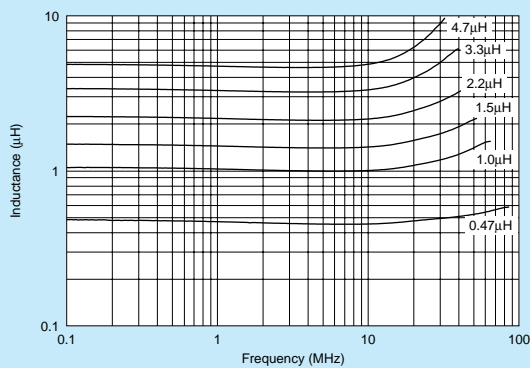
Refer to pages from p.80 to p.83 for mounting information.

### ■ Rated Value (□: packaging code)

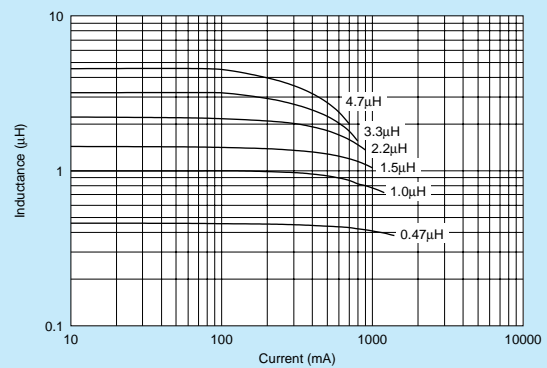
Part Number	Inductance	Rated Current	DC Resistance	Self Resonance Frequency (min.)	Operating Temperature Range	
LQM31PNR47M00□	0.47μH±20%	1400mA	0.07ohm±25%	80MHz	-55°C to +125°C	Kit
LQM31PN1R0M00□	1.0μH±20%	1200mA	0.12ohm±25%	60MHz	-55°C to +125°C	Kit
LQM31PN1R5M00□	1.5μH±20%	1000mA	0.14ohm±25%	50MHz	-55°C to +125°C	Kit
LQM31PN2R2M00□	2.2μH±20%	900mA	0.19ohm±25%	40MHz	-55°C to +125°C	Kit
LQM31PN3R3M00□	3.3μH±20%	800mA	0.24ohm±25%	30MHz	-55°C to +125°C	Kit
LQM31PN4R7M00□	4.7μH±20%	700mA	0.30ohm±25%	25MHz	-55°C to +125°C	Kit

Test Frequency: 1MHz Class of Magnetic Shield: Magnetic shield of ferrite

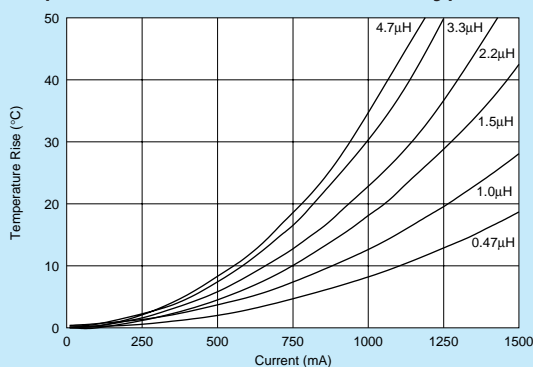
### ■ Inductance-Frequency Characteristics (Typ.)



### ■ Inductance-Current Characteristics (Typ.)



### ■ Temperature Rise Characteristics (Typ.)



△Note • Please read rating and △CAUTION (for storage, operating, rating, soldering, mounting and handling) in this catalog to prevent smoking and/or burning, etc.  
• This catalog has only typical specifications because there is no space for detailed specifications. Therefore, please review our product specifications or consult the approval sheet for product specifications before ordering.

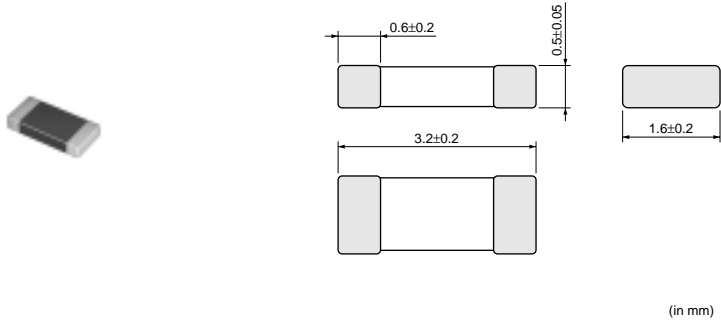


# LQM31P\_C0 Series (1206 Size)



1206 Size 0.55mm max. Thickness

■ Dimensions



■ Packaging

Code	Packaging	Minimum Quantity
L	180mm Embossed Tape	4000
B	Bulk(Bag)	1000

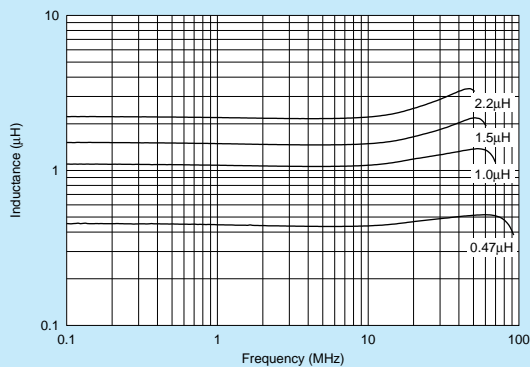
Refer to pages from p.80 to p.83 for mounting information.

■ Rated Value (□: packaging code)

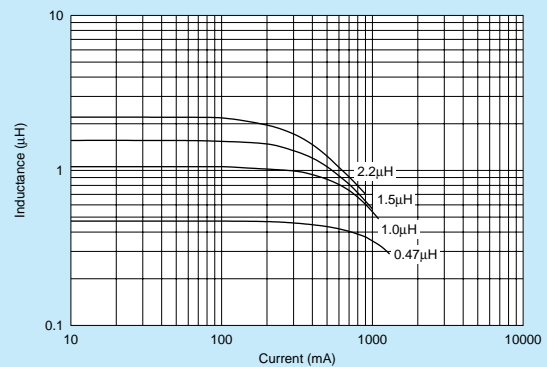
Part Number	Inductance	Rated Current	DC Resistance	Self Resonance Frequency (min.)	Operating Temperature Range	
LQM31PNR47MC0□	0.47μH±20%	1300mA	0.085ohm±25%	90MHz	-55°C to +125°C	Kit
LQM31PN1R0MC0□	1.0μH±20%	1100mA	0.14ohm±25%	70MHz	-55°C to +125°C	Kit
LQM31PN1R5MC0□	1.5μH±20%	1000mA	0.17ohm±25%	60MHz	-55°C to +125°C	Kit
LQM31PN2R2MC0□	2.2μH±20%	900mA	0.25ohm±25%	50MHz	-55°C to +125°C	Kit

Test Frequency: 1MHz Class of Magnetic Shield: Magnetic shield of ferrite

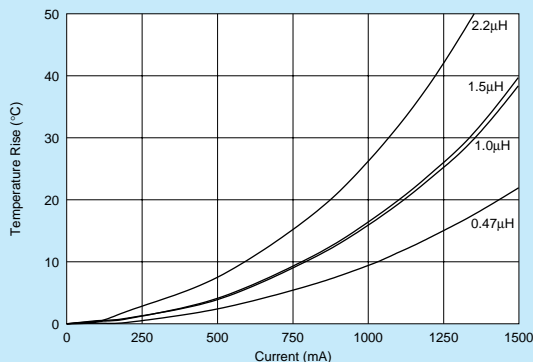
■ Inductance-Frequency Characteristics (Typ.)



■ Inductance-Current Characteristics (Typ.)



■ Temperature Rise Characteristics (Typ.)



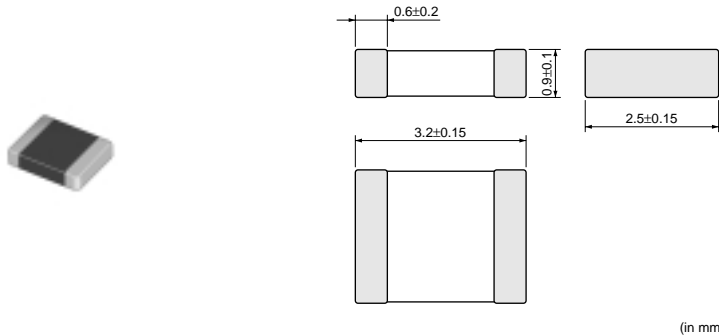
△Note • Please read rating and △CAUTION (for storage, operating, rating, soldering, mounting and handling) in this catalog to prevent smoking and/or burning, etc.  
 • This catalog has only typical specifications because there is no space for detailed specifications. Therefore, please review our product specifications or consult the approval sheet for product specifications before ordering.

# LQM32P\_G0 Series (1210 Size)



1210 Size, 1.0mm max. Thickness

### ■ Dimensions



### ■ Packaging

Code	Packaging	Minimum Quantity
L	180mm Embossed Tape	3000
B	Bulk(Bag)	1000

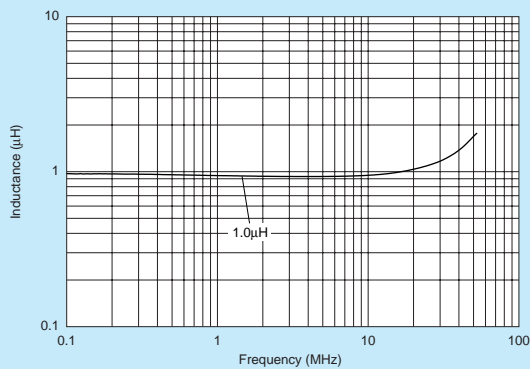
Refer to pages from p.80 to p.83 for mounting information.

### ■ Rated Value (□: packaging code)

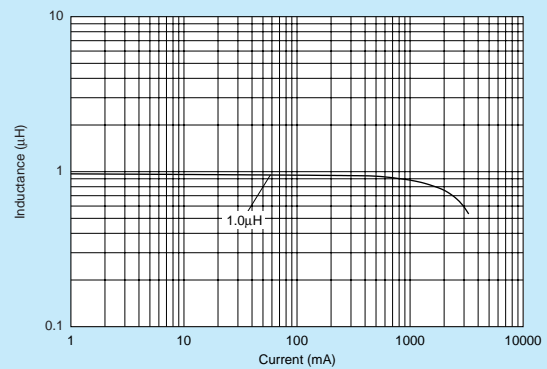
Part Number	Inductance	Rated Current	DC Resistance	Self Resonance Frequency (min.)	
LQM32PN1R0MG0□	1.0μH±20%	1800mA	0.048ohm ±25%	40MHz	New Kit

Test Frequency: 1MHz Class of Magnetic Shield: Magnetic shield of ferrite Operating Temperature Range: -40°C to +85°C  
Only for reflow soldering.

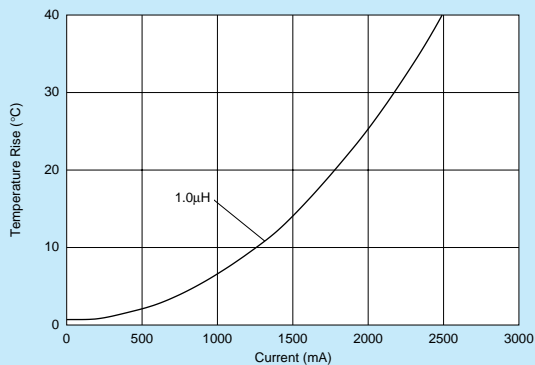
### ■ Inductance-Frequency Characteristics (Typ.)



### ■ Inductance-Current Characteristics (Typ.)



### ■ Temperature Rise Characteristics (Typ.)



△Note • Please read rating and △CAUTION (for storage, operating, rating, soldering, mounting and handling) in this catalog to prevent smoking and/or burning, etc.  
• This catalog has only typical specifications because there is no space for detailed specifications. Therefore, please review our product specifications or consult the approval sheet for product specifications before ordering.

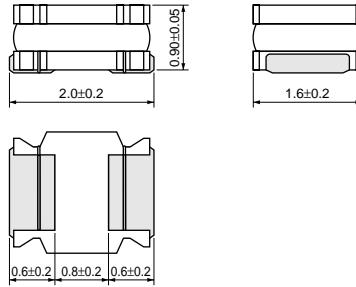
# LQH2MC-02 Series (0806 Size)

LQH2MC\_02



0806 Size, 0.95mm max. Thickness

### ■ Dimensions



(in mm)

### ■ Packaging

Code	Packaging	Minimum Quantity
L	180mm Embossed Tape	3000
B	Bulk(Bag)	100

Refer to pages from p.80 to p.83 for mounting information.

### ■ Rated Value (□: packaging code)

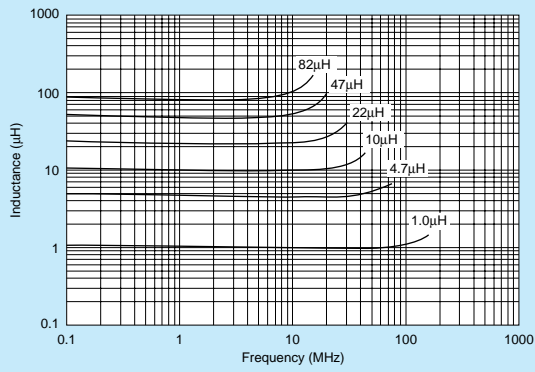
Part Number	Inductance	Rated Current (Based on Inductance Change)	Rated Current <sup>*1</sup> (Based on Temperature Rise)	DC Resistance	Self Resonance Frequency (min.)	
LQH2MCN1R0M02□	1.0μH±20%	-	485mA	0.30ohm±30%	100MHz	Kit
LQH2MCN1R5M02□	1.5μH±20%	-	445mA	0.40ohm±30%	95MHz	Kit
LQH2MCN2R2M02□	2.2μH±20%	-	425mA	0.48ohm±30%	70MHz	Kit
LQH2MCN3R3M02□	3.3μH±20%	-	375mA	0.60ohm±30%	65MHz	Kit
LQH2MCN4R7M02□	4.7μH±20%	-	300mA	0.8ohm±30%	60MHz	Kit
LQH2MCN5R6M02□	5.6μH±20%	-	280mA	0.9ohm±30%	60MHz	Kit
LQH2MCN6R8M02□	6.8μH±20%	-	255mA	1.0ohm±30%	55MHz	Kit
LQH2MCN8R2M02□	8.2μH±20%	-	235mA	1.1ohm±30%	50MHz	Kit
LQH2MCN100K02□	10μH±10%	-	225mA	1.2ohm±30%	48MHz	Kit
LQH2MCN120K02□	12μH±10%	-	210mA	1.4ohm±30%	44MHz	Kit
LQH2MCN150K02□	15μH±10%	-	200mA	1.6ohm±30%	40MHz	Kit
LQH2MCN180K02□	18μH±10%	-	190mA	1.8ohm±30%	35MHz	Kit
LQH2MCN220K02□	22μH±10%	-	185mA	2.1ohm±30%	30MHz	Kit
LQH2MCN270K02□	27μH±10%	-	180mA	2.5ohm±30%	30MHz	Kit
LQH2MCN330K02□	33μH±10%	-	160mA	2.8ohm±30%	28MHz	Kit
LQH2MCN390K02□	39μH±10%	-	125mA	4.4ohm±30%	24MHz	Kit
LQH2MCN470K02□	47μH±10%	-	120mA	5.1ohm±30%	18MHz	Kit
LQH2MCN560K02□	56μH±10%	-	110mA	5.7ohm±30%	17MHz	Kit
LQH2MCN680K02□	68μH±10%	-	100mA	6.6ohm±30%	14MHz	Kit
LQH2MCN820K02□	82μH±10%	-	90mA	7.5ohm±30%	14MHz	Kit

Test Frequency: 1MHz Class of Magnetic Shield: No magnetic shield  
 Operating Temperature Range (Self-temperature rise is not included): -40°C to +85°C  
 Only for reflow soldering.

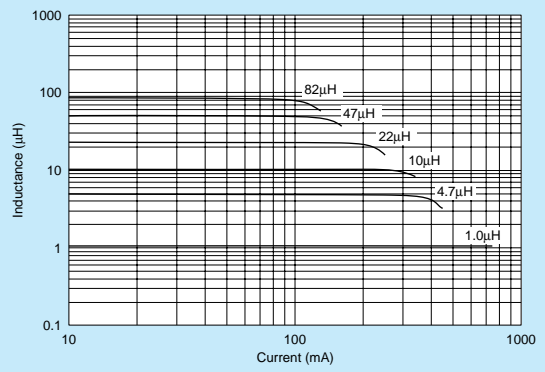
\*1 When Rated Current is applied to the Products, self-generation of heat will rise to 40°C or less.

Continued on the following page.

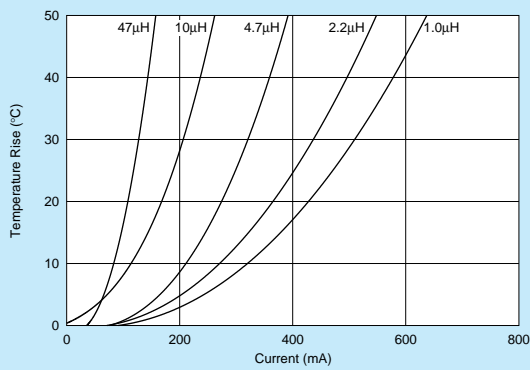
■ Inductance-Frequency Characteristics (Typ.)



■ Inductance-Current Characteristics (Typ.)



■ Temperature Rise Characteristics (Typ.)



⚠Note • Please read rating and ⚠CAUTION (for storage, operating, rating, soldering, mounting and handling) in this catalog to prevent smoking and/or burning, etc.  
• This catalog has only typical specifications because there is no space for detailed specifications. Therefore, please review our product specifications or consult the approval sheet for product specifications before ordering.

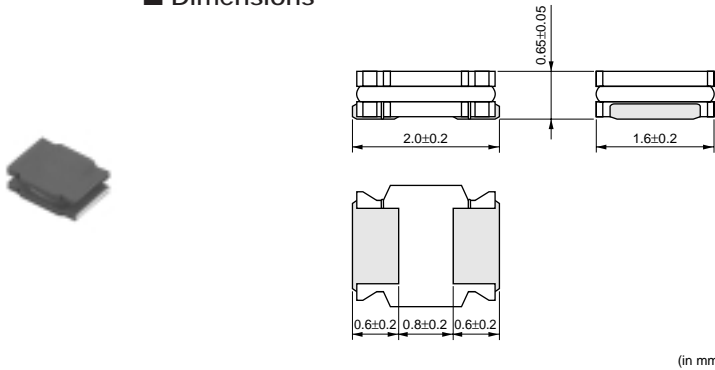
# LQH2MC-52 Series (0806 Size)

LQH2MC\_52



0806 Size, 0.7mm max. Thickness

### ■ Dimensions



### ■ Packaging

Code	Packaging	Minimum Quantity
L	180mm Embossed Tape	3000
B	Bulk(Bag)	100

Refer to pages from p.80 to p.83 for mounting information.

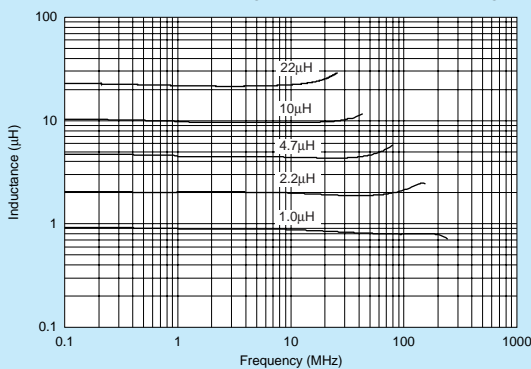
### ■ Rated Value (□: packaging code)

Part Number	Inductance	Rated Current (Based on Inductance Change)	Rated Current <sup>*1</sup> (Based on Temperature Rise)	DC Resistance	Self Resonance Frequency (min.)	
LQH2MCN1R0M52□	1.0μH±20%	-	595mA	0.25ohm±30%	215MHz	Kit
LQH2MCN1R5M52□	1.5μH±20%	-	540mA	0.33ohm±30%	165MHz	Kit
LQH2MCN2R2M52□	2.2μH±20%	-	500mA	0.42ohm±30%	125MHz	Kit
LQH2MCN3R3M52□	3.3μH±20%	-	360mA	0.74ohm±30%	110MHz	Kit
LQH2MCN4R7M52□	4.7μH±20%	-	335mA	0.91ohm±30%	90MHz	Kit
LQH2MCN6R8M52□	6.8μH±20%	-	285mA	1.23ohm±30%	65MHz	Kit
LQH2MCN100M52□	10μH±20%	-	200mA	2.27ohm±30%	60MHz	Kit
LQH2MCN120M52□	12μH±20%	-	170mA	2.4ohm±30%	30MHz	Kit
LQH2MCN150M52□	15μH±20%	-	150mA	3.5ohm±30%	30MHz	Kit
LQH2MCN180M52□	18μH±20%	-	140mA	4ohm±30%	30MHz	Kit
LQH2MCN220M52□	22μH±20%	-	130mA	5.5ohm±30%	30MHz	Kit

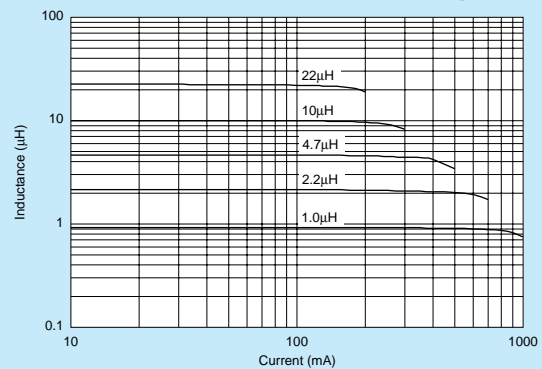
Test Frequency: 1MHz Class of Magnetic Shield: No magnetic shield  
 Operating Temperature Range (Self-temperature rise is not included): -40°C to +85°C  
 Only for reflow soldering.

\*1 When Rated Current is applied to the Products, self-generation of heat will rise to 40°C or less.

### ■ Inductance-Frequency Characteristics (Typ.)



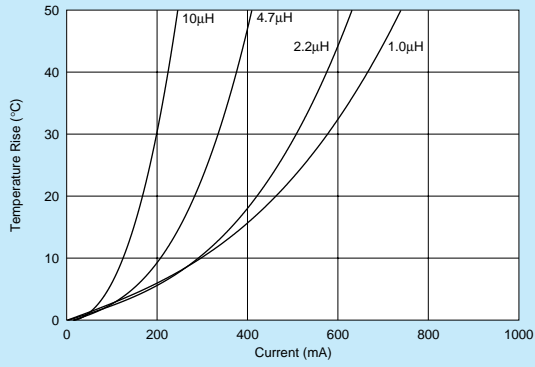
### ■ Inductance-Current Characteristics (Typ.)



Continued on the following page.

△Note • Please read rating and △CAUTION (for storage, operating, rating, soldering, mounting and handling) in this catalog to prevent smoking and/or burning, etc.  
 • This catalog has only typical specifications because there is no space for detailed specifications. Therefore, please review our product specifications or consult the approval sheet for product specifications before ordering.

■ Temperature Rise Characteristics (Typ.)



△Note • Please read rating and △CAUTION (for storage, operating, rating, soldering, mounting and handling) in this catalog to prevent smoking and/or burning, etc.  
• This catalog has only typical specifications because there is no space for detailed specifications. Therefore, please review our product specifications or consult the approval sheet for product specifications before ordering.

# LQH2HP\_G0 Series (1008 Size)

LQH2HP\_G0

Thickness  
**1.0mm**  
max.

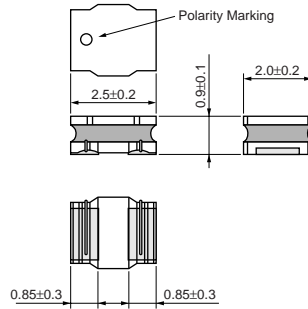
Magnetic  
Resin  
Shield

Reflow  
OK

New

1008 Size, 1.0mm max. Thickness

### ■ Dimensions



(in mm)

### ■ Packaging

Code	Packaging	Minimum Quantity
L	180mm Embossed Tape	3000

Refer to pages from p.80 to p.83 for mounting information.

### ■ Rated Value (□: packaging code)

Part Number	Inductance	Rated Current <sup>*1</sup> (Based on Inductance Change)	Rated Current <sup>*2</sup> (Based on Temperature Rise)	DC Resistance	Self Resonance Frequency (min.)	
LQH2HPN2R2MG0□	2.2μH±20%	1640mA	1000mA	0.17ohm ±20%	80MHz	New Kit
LQH2HPN3R3MG0□	3.3μH±20%	1290mA	810mA	0.27ohm ±20%	65MHz	New Kit
LQH2HPN4R7MG0□	4.7μH±20%	1000mA	700mA	0.36ohm ±20%	60MHz	New Kit
LQH2HPN6R8MG0□	6.8μH±20%	800mA	590mA	0.5ohm ±20%	10MHz	New Kit
LQH2HPN100MG0□	10μH±20%	700mA	490mA	0.73ohm ±20%	10MHz	New Kit
LQH2HPN220MG0□	22μH±20%	490mA	340mA	1.6ohm ±20%	10MHz	New Kit
LQH2HPN101MG0□	100μH±20%	210mA	130mA	10ohm ±20%	5MHz	New Kit

Test Frequency: 1MHz Class of Magnetic Shield: Magnetic shield of magnetic powder in resin

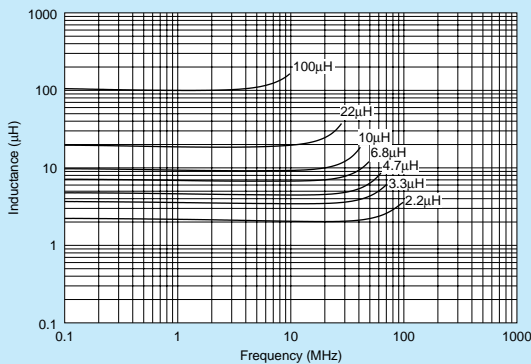
Operating Temperature Range (Self-temperature rise is not included): -40°C to +85°C

Only for reflow soldering.

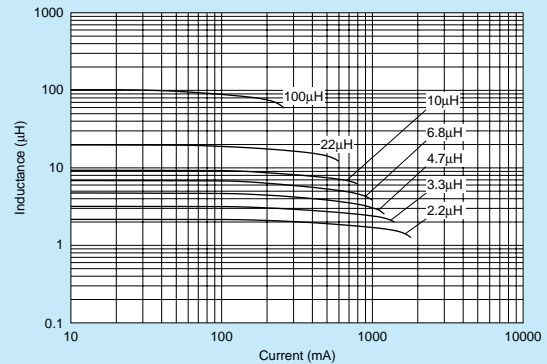
\*1 When Rated Current is applied to the Products, Inductance will be within -30% of minimum rated Inductance value.

\*2 When Rated Current is applied to the Products, self-generation of heat will rise to 40°C or less.

### ■ Inductance-Frequency Characteristics (Typ.)



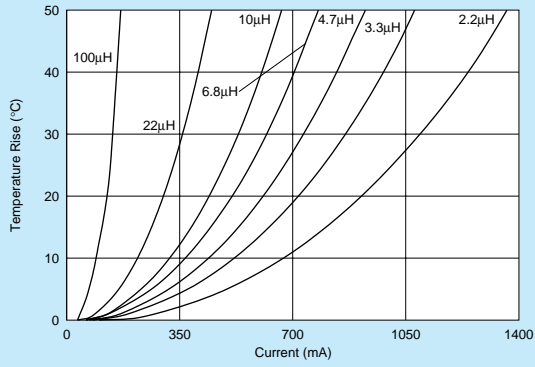
### ■ Inductance-Current Characteristics (Typ.)



Continued on the following page.

⚠Note • Please read rating and ⚠CAUTION (for storage, operating, rating, soldering, mounting and handling) in this catalog to prevent smoking and/or burning, etc.  
• This catalog has only typical specifications because there is no space for detailed specifications. Therefore, please review our product specifications or consult the approval sheet for product specifications before ordering.

■ Temperature Rise Characteristics (Typ.)



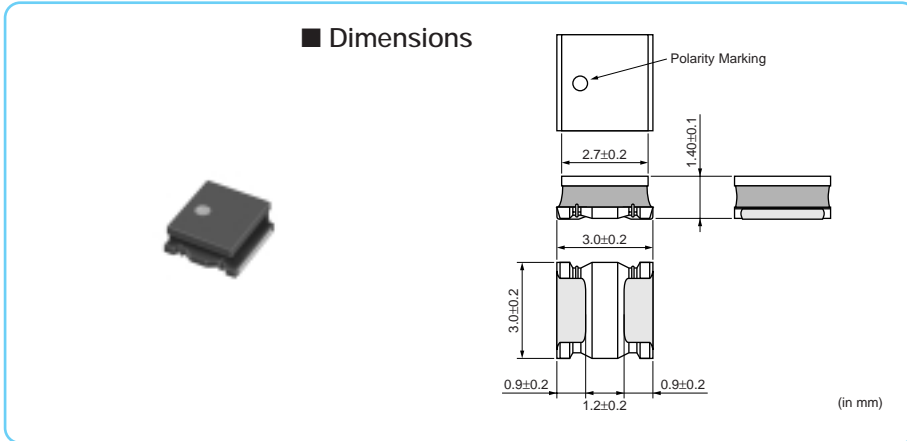
△Note • Please read rating and △CAUTION (for storage, operating, rating, soldering, mounting and handling) in this catalog to prevent smoking and/or burning, etc.  
• This catalog has only typical specifications because there is no space for detailed specifications. Therefore, please review our product specifications or consult the approval sheet for product specifications before ordering.



# LQH3NP\_M0 Series (1212 Size)



1212 Size, 1.5mm max. Thickness



■ Packaging

Code	Packaging	Minimum Quantity
L	180mm Embossed Tape	1000
K	330mm Embossed Tape	4000

Refer to pages from p.80 to p.83 for mounting information.

■ Rated Value (□: packaging code)

Part Number	Inductance	Rated Current <sup>*1</sup> (Based on Inductance Change)	Rated Current <sup>*2</sup> (Based on Temperature Rise)	DC Resistance	Self Resonance Frequency (min.)	
LQH3NPN1R0MM0□	1.0μH±20%	1400mA	2050mA	0.044ohm ±20%	130MHz	Kit
LQH3NPN1R0NM0□	1.0μH±30%	1400mA	2050mA	0.044ohm ±20%	130MHz	
LQH3NPN2R2MM0□	2.2μH±20%	1250mA	1600mA	0.073ohm ±20%	90MHz	Kit
LQH3NPN2R2NM0□	2.2μH±30%	1250mA	1600mA	0.073ohm ±20%	90MHz	
LQH3NPN3R3MM0□	3.3μH±20%	1000mA	1450mA	0.092ohm ±20%	75MHz	Kit
LQH3NPN3R3NM0□	3.3μH±30%	1000mA	1450mA	0.092ohm ±20%	75MHz	
LQH3NPN4R7MM0□	4.7μH±20%	880mA	1250mA	0.13ohm ±20%	65MHz	Kit
LQH3NPN4R7NM0□	4.7μH±30%	880mA	1250mA	0.13ohm ±20%	65MHz	
LQH3NPN6R8MM0□	6.8μH±20%	820mA	1000mA	0.20ohm ±20%	50MHz	Kit
LQH3NPN6R8NM0□	6.8μH±30%	820mA	1000mA	0.20ohm ±20%	50MHz	
LQH3NPN100MM0□	10μH±20%	550mA	870mA	0.26ohm ±20%	45MHz	Kit
LQH3NPN100NM0□	10μH±30%	550mA	870mA	0.26ohm ±20%	45MHz	
LQH3NPN150MM0□	15μH±20%	520mA	730mA	0.36ohm ±20%	30MHz	Kit
LQH3NPN150NM0□	15μH±30%	520mA	730mA	0.36ohm ±20%	30MHz	
LQH3NPN220MM0□	22μH±20%	410mA	650mA	0.51ohm ±20%	28MHz	Kit
LQH3NPN330MM0□	33μH±20%	370mA	500mA	0.85ohm ±20%	22MHz	Kit
LQH3NPN470MM0□	47μH±20%	310mA	410mA	1.25ohm ±20%	18MHz	Kit
LQH3NPN101MM0□	100μH±20%	200mA	240mA	3.50ohm ±20%	12MHz	Kit

Test Frequency: 1MHz Class of Magnetic Shield: Magnetic shield of magnetic powder in resin

Operating Temperature Range (Self-temperature rise is included): -40°C to +125°C

Operating Temperature Range (Self-temperature rise is not included): -40°C to +85°C

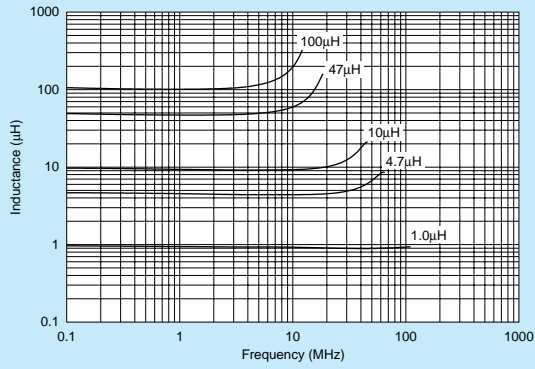
Only for reflow soldering.

\*1 When Rated Current is applied to the Products, Inductance will be within ±30% of nominal Inductance value.

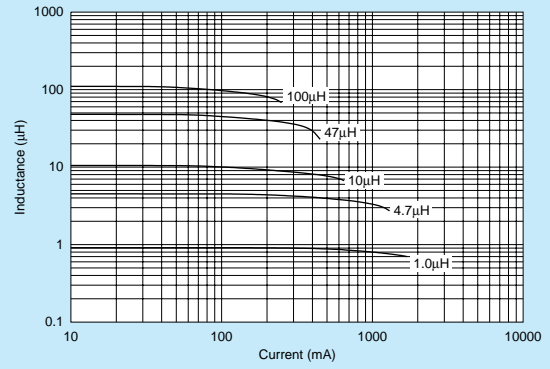
\*2 When Rated Current is applied to the Products, self-generation of heat will rise to 40°C or less.

Continued on the following page.

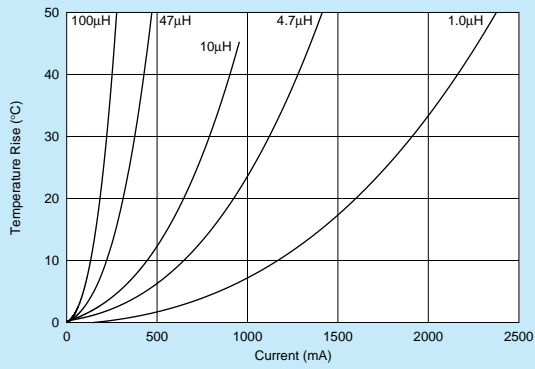
■ Inductance-Frequency Characteristics (Typ.)



■ Inductance-Current Characteristics (Typ.)



■ Temperature Rise Characteristics (Typ.)



⚠Note • Please read rating and ⚠CAUTION (for storage, operating, rating, soldering, mounting and handling) in this catalog to prevent smoking and/or burning, etc.  
• This catalog has only typical specifications because there is no space for detailed specifications. Therefore, please review our product specifications or consult the approval sheet for product specifications before ordering.

# LQH3NP\_MR Series (1212 Size)

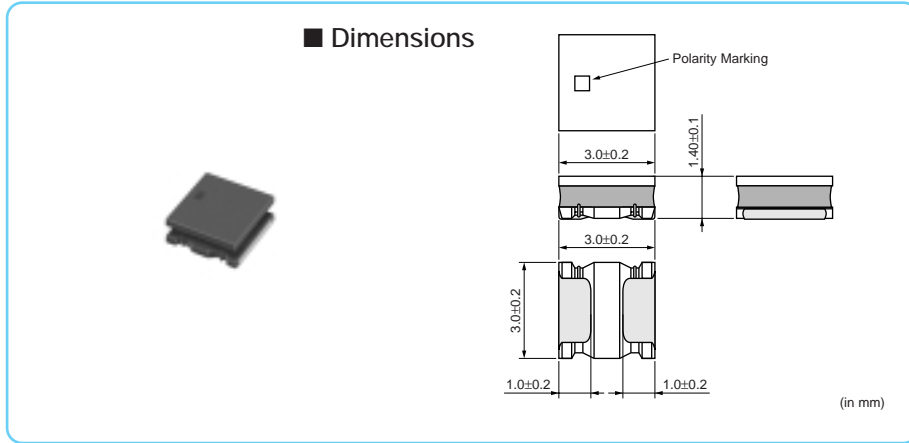
Thickness  
1.5mm  
max.

Magnetic  
Resin  
Shield

Reflow  
OK

New

## Low DC Resistance Type



## ■ Packaging

Code	Packaging	Minimum Quantity
E	180mm Embossed Tape	2000
F	330mm Embossed Tape	8000

Refer to pages from p.80 to p.83 for mounting information.

## ■ Rated Value (□: packaging code)

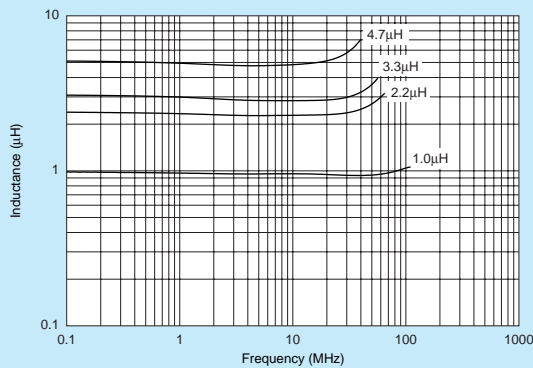
Part Number	Inductance	Rated Current <sup>*1</sup> (Based on Inductance Change)	Rated Current <sup>*2</sup> (Based on Temperature Rise)	DC Resistance	Self Resonance Frequency (min.)	
LQH3NPN1R0MMR□	1.0μH±20%	1600mA	2150mA	0.042ohm ±20%	135MHz	New
LQH3NPN2R2MMR□	2.2μH±20%	1380mA	1750mA	0.068ohm ±20%	75MHz	New
LQH3NPN3R3MMR□	3.3μH±20%	1200mA	1550mA	0.088ohm ±20%	70MHz	New
LQH3NPN4R7MMR□	4.7μH±20%	950mA	1400mA	0.105ohm ±20%	57MHz	New

Test Frequency: 1MHz Class of Magnetic Shield: Magnetic shield of magnetic powder in resin  
 Operating Temperature Range (Self-temperature rise is included): -40°C to +125°C Operating Temperature Range (Self-temperature rise is not included): -40°C to +85°C  
 Only for reflow soldering.

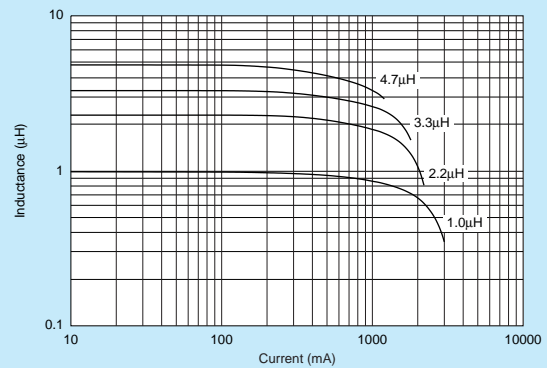
\*1 When Rated Current is applied to the Products, Inductance will be within ±30% of nominal Inductance value.

\*2 When Rated Current is applied to the Products, self-generation of heat will rise to 40°C or less.

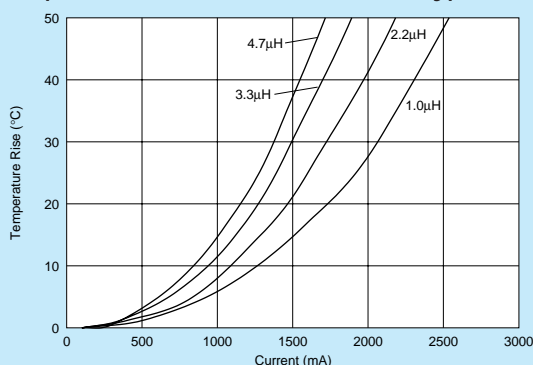
## ■ Inductance-Frequency Characteristics (Typ.)



## ■ Inductance-Current Characteristics (Typ.)



## ■ Temperature Rise Characteristics (Typ.)



△Note • Please read rating and △CAUTION (for storage, operating, rating, soldering, mounting and handling) in this catalog to prevent smoking and/or burning, etc.  
 • This catalog has only typical specifications because there is no space for detailed specifications. Therefore, please review our product specifications or consult the approval sheet for product specifications before ordering.

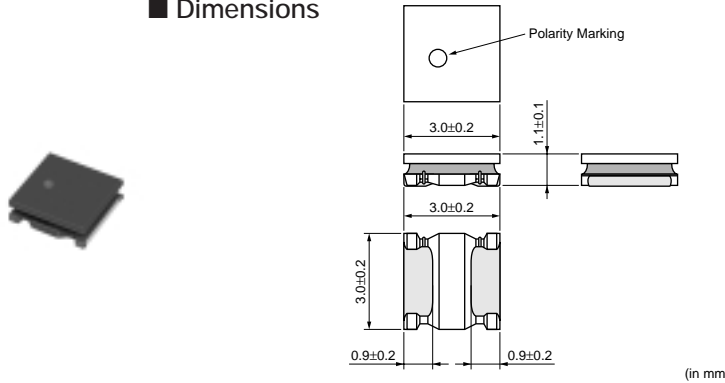
# LQH3NP-J0 Series (1212 Size)

LQH3NP\_J0



1212 Size, 1.2mm max. Thickness

### ■ Dimensions



### ■ Packaging

Code	Packaging	Minimum Quantity
L	180mm Embossed Tape	1000
K	330mm Embossed Tape	5000

Refer to pages from p.80 to p.83 for mounting information.

### ■ Rated Value (□: packaging code)

Part Number	Inductance	Rated Current <sup>*1</sup> (Based on Inductance Change)	Rated Current <sup>*2</sup> (Based on Temperature Rise)	DC Resistance	Self Resonance Frequency (min.)	
LQH3NPN1R0NJ0□	1.0μH±30%	1650mA	1620mA	0.040ohm ±20%	140MHz	Kit
LQH3NPN1R5NJ0□	1.5μH±30%	1200mA	1500mA	0.055ohm ±20%	90MHz	Kit
LQH3NPN2R2MJ0□	2.2μH±20%	1150mA	1460mA	0.069ohm ±20%	90MHz	Kit
LQH3NPN2R2NJ0□	2.2μH±30%	1150mA	1460mA	0.069ohm ±20%	90MHz	
LQH3NPN3R3MJ0□	3.3μH±20%	950mA	1270mA	0.105ohm ±20%	70MHz	Kit
LQH3NPN3R3NJ0□	3.3μH±30%	950mA	1270mA	0.105ohm ±20%	70MHz	
LQH3NPN4R7MJ0□	4.7μH±20%	780mA	1120mA	0.130ohm ±20%	65MHz	Kit
LQH3NPN4R7NJ0□	4.7μH±30%	780mA	1120mA	0.130ohm ±20%	65MHz	
LQH3NPN6R8MJ0□	6.8μH±20%	700mA	850mA	0.210ohm ±20%	45MHz	Kit
LQH3NPN6R8NJ0□	6.8μH±30%	700mA	850mA	0.210ohm ±20%	45MHz	
LQH3NPN100MJ0□	10μH±20%	560mA	710mA	0.300ohm ±20%	35MHz	Kit
LQH3NPN100NJ0□	10μH±30%	560mA	710mA	0.300ohm ±20%	35MHz	
LQH3NPN150MJ0□	15μH±20%	440mA	590mA	0.440ohm ±20%	30MHz	Kit
LQH3NPN150NJ0□	15μH±30%	440mA	590mA	0.440ohm ±20%	30MHz	
LQH3NPN220MJ0□	22μH±20%	350mA	510mA	0.600ohm ±20%	25MHz	Kit
LQH3NPN220NJ0□	22μH±30%	350mA	510mA	0.600ohm ±20%	25MHz	
LQH3NPN330MJ0□	33μH±20%	280mA	410mA	0.900ohm ±20%	20MHz	Kit
LQH3NPN330NJ0□	33μH±30%	280mA	410mA	0.900ohm ±20%	20MHz	
LQH3NPN470MJ0□	47μH±20%	200mA	350mA	1.30ohm ±20%	15MHz	Kit
LQH3NPN470NJ0□	47μH±30%	200mA	350mA	1.30ohm ±20%	15MHz	

Test Frequency: 1MHz Class of Magnetic Shield: Magnetic shield of magnetic powder in resin

Operating Temperature Range (Self-temperature rise is included): -40°C to +125°C

Operating Temperature Range (Self-temperature rise is not included): -40°C to +85°C

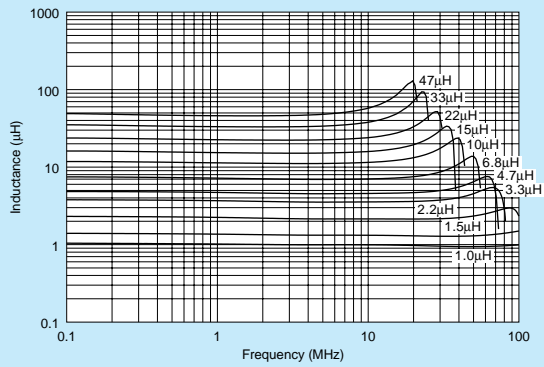
Only for reflow soldering.

\*1 When Rated Current is applied to the Products, Inductance will be within ±30% of nominal Inductance value.

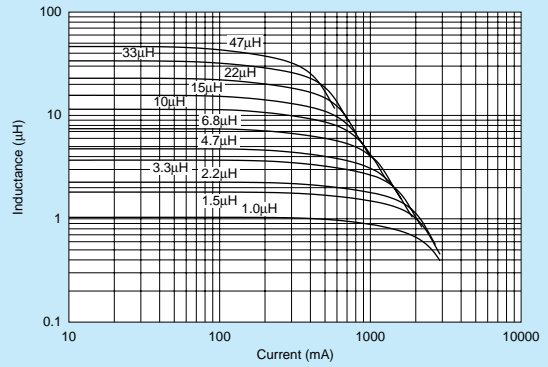
\*2 When Rated Current is applied to the Products, self-generation of heat will rise to 40°C or less.

Continued on the following page.

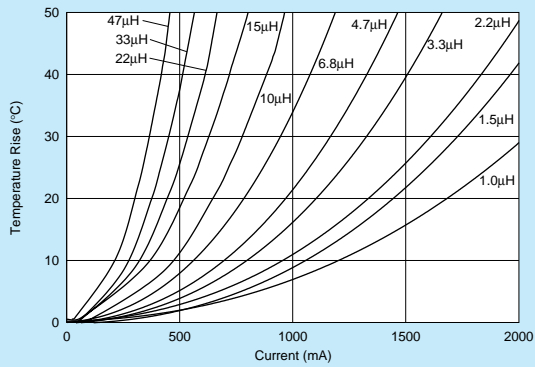
■ Inductance-Frequency Characteristics (Typ.)



■ Inductance-Current Characteristics (Typ.)



■ Temperature Rise Characteristics (Typ.)



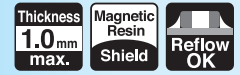
Wire Wound Magnetic Type for Voltage Conversion Inductor for Power Lines (Power Inductor)

Inductor for Low Frequency Circuits

RF Inductor

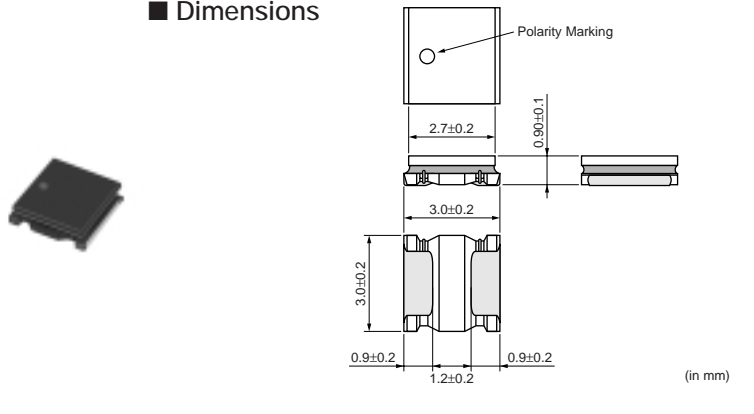
△Note • Please read rating and △CAUTION (for storage, operating, rating, soldering, mounting and handling) in this catalog to prevent smoking and/or burning, etc.  
 • This catalog has only typical specifications because there is no space for detailed specifications. Therefore, please review our product specifications or consult the approval sheet for product specifications before ordering.

# LQH3NP\_G0 Series (1212 Size)



1212 Size, 1.0mm max. Thickness

■ Dimensions



■ Packaging

Code	Packaging	Minimum Quantity
L	180mm Embossed Tape	1500
K	330mm Embossed Tape	6000

Refer to pages from p.80 to p.83 for mounting information.

■ Rated Value (□: packaging code)

Part Number	Inductance	Rated Current <sup>*1</sup> (Based on Inductance Change)	Rated Current <sup>*2</sup> (Based on Temperature Rise)	DC Resistance	Self Resonance Frequency (min.)	
LQH3NPN1R0NG0□	1.0μH±30%	1650mA	1525mA	0.08ohm ±20%	160MHz	Kit
LQH3NPN1R5NG0□	1.5μH±30%	1300mA	1470mA	0.10ohm ±20%	130MHz	Kit
LQH3NPN2R2NG0□	2.2μH±30%	1250mA	1270mA	0.14ohm ±20%	100MHz	Kit
LQH3NPN3R3NG0□	3.3μH±30%	850mA	1130mA	0.18ohm ±20%	75MHz	Kit
LQH3NPN4R7NG0□	4.7μH±30%	800mA	925mA	0.26ohm ±20%	60MHz	Kit
LQH3NPN6R8NG0□	6.8μH±30%	650mA	710mA	0.45ohm ±20%	48MHz	Kit
LQH3NPN100MG0□	10μH±20%	500mA	630mA	0.57ohm ±20%	45MHz	Kit
LQH3NPN100NG0□	10μH±30%	500mA	630mA	0.57ohm ±20%	45MHz	
LQH3NPN150NG0□	15μH±30%	370mA	475mA	0.91ohm ±20%	35MHz	Kit
LQH3NPN220MG0□	22μH±20%	340mA	430mA	1.1ohm ±20%	25MHz	Kit
LQH3NPN220NG0□	22μH±30%	340mA	430mA	1.1ohm ±20%	25MHz	
LQH3NPN330MG0□	33μH±20%	250mA	345mA	2.1ohm ±20%	24MHz	Kit
LQH3NPN330NG0□	33μH±30%	250mA	345mA	2.1ohm ±20%	24MHz	
LQH3NPN470MG0□	47μH±20%	170mA	270mA	3.0ohm ±20%	19MHz	Kit
LQH3NPN470NG0□	47μH±30%	170mA	270mA	3.0ohm ±20%	19MHz	
LQH3NPN680MG0□	68μH±20%	150mA	235mA	4.2ohm ±20%	16MHz	Kit
LQH3NPN680NG0□	68μH±30%	150mA	235mA	4.2ohm ±20%	16MHz	
LQH3NPN101MG0□	100μH±20%	140mA	165mA	8.0ohm ±20%	10MHz	Kit
LQH3NPN101NG0□	100μH±30%	140mA	165mA	8.0ohm ±20%	10MHz	
LQH3NPN151MG0□	150μH±20%	110mA	145mA	11.0ohm ±20%	10MHz	Kit
LQH3NPN151NG0□	150μH±30%	110mA	145mA	11.0ohm ±20%	10MHz	
LQH3NPN221MG0□	220μH±20%	100mA	130mA	14.0ohm ±20%	8.5MHz	Kit
LQH3NPN221NG0□	220μH±30%	100mA	130mA	14.0ohm ±20%	8.5MHz	
LQH3NPN251MG0□	250μH±20%	80mA	130mA	15.0ohm ±20%	8.0MHz	Kit
LQH3NPN251NG0□	250μH±30%	80mA	130mA	15.0ohm ±20%	8.0MHz	

Test Frequency: 1MHz Class of Magnetic Shield: Magnetic shield of magnetic powder in resin  
 Operating Temperature Range (Self-temperature rise is not included): -40°C to +85°C  
 Only for reflow soldering.

\*1 When Rated Current is applied to the Products, Inductance will be within ±30% of nominal Inductance value.

\*2 When Rated Current is applied to the Products, self-generation of heat will rise to 40°C or less.

Continued on the following page.

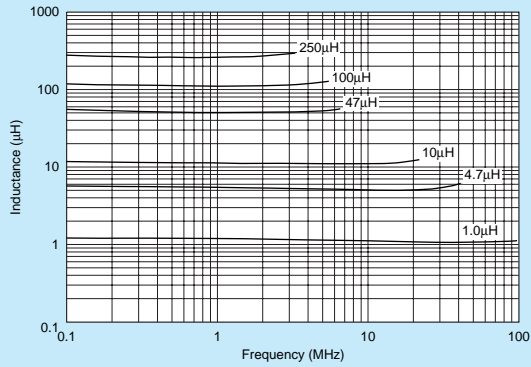
△Note • Please read rating and △CAUTION (for storage, operating, rating, soldering, mounting and handling) in this catalog to prevent smoking and/or burning, etc.  
 • This catalog has only typical specifications because there is no space for detailed specifications. Therefore, please review our product specifications or consult the approval sheet for product specifications before ordering.

Inductor for Power Lines (Power Inductor)  
 Wire Wound Magnetic Type for Voltage Conversion

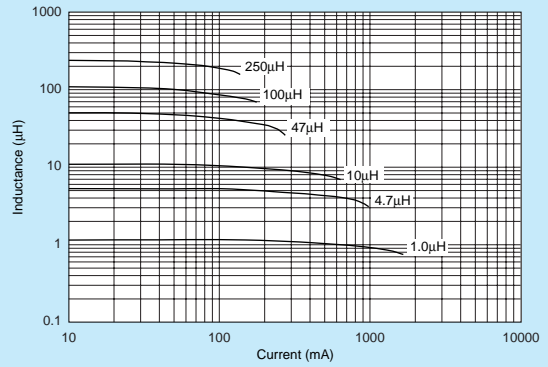
Inductor for Low Frequency Circuits

RF Inductor

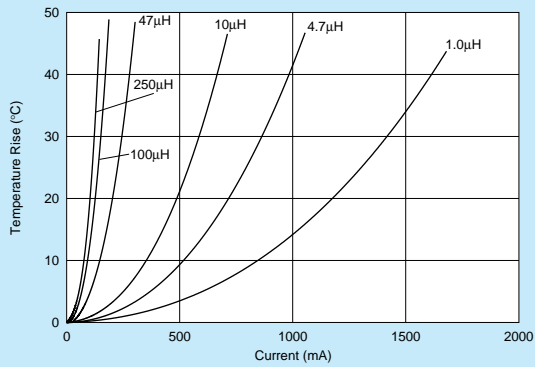
■ Inductance-Frequency Characteristics (Typ.)



■ Inductance-Current Characteristics (Typ.)



■ Temperature Rise Characteristics (Typ.)



△Note • Please read rating and △CAUTION (for storage, operating, rating, soldering, mounting and handling) in this catalog to prevent smoking and/or burning, etc.  
 • This catalog has only typical specifications because there is no space for detailed specifications. Therefore, please review our product specifications or consult the approval sheet for product specifications before ordering.



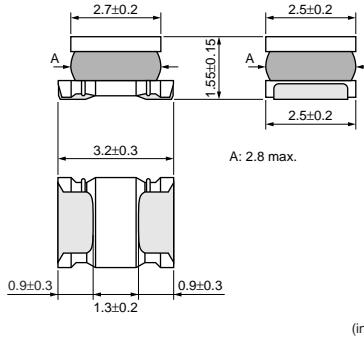
# LQH32P\_N0 Series (1210 Size)

LQH32P\_N0



1210 Size, 1.7mm max. Thickness

### ■ Dimensions



(in mm)

### ■ Packaging

Code	Packaging	Minimum Quantity
L	180mm Embossed Tape	2000
K	330mm Embossed Tape	7500

Refer to pages from p.80 to p.83 for mounting information.

### ■ Rated Value (□: packaging code)

Part Number	Inductance	Rated Current <sup>*1</sup> (Based on Inductance Change)	Rated Current <sup>*2</sup> (Based on Temperature Rise)	DC Resistance	Self Resonance Frequency (min.)	Kit
LQH32PNR47NN0□	0.47μH±30%	3400mA	2550mA	0.03ohm ±20%	100MHz	Kit
LQH32PN1R0NN0□	1.0μH±30%	2300mA	2050mA	0.045ohm ±20%	100MHz	Kit
LQH32PN1R5NN0□	1.5μH±30%	1750mA	1750mA	0.057ohm ±20%	70MHz	Kit
LQH32PN2R2NN0□	2.2μH±30%	1550mA	1600mA	0.076ohm ±20%	70MHz	Kit
LQH32PN3R3NN0□	3.3μH±30%	1250mA	1200mA	0.12ohm ±20%	50MHz	Kit
LQH32PN4R7NN0□	4.7μH±30%	1000mA	1000mA	0.18ohm ±20%	40MHz	Kit
LQH32PN6R8NN0□	6.8μH±30%	850mA	850mA	0.24ohm ±20%	40MHz	Kit
LQH32PN100MN0□	10μH±20%	750mA	700mA	0.38ohm ±20%	30MHz	Kit
LQH32PN150MN0□	15μH±20%	600mA	520mA	0.57ohm ±20%	20MHz	Kit
LQH32PN220MN0□	22μH±20%	500mA	450mA	0.81ohm ±20%	20MHz	Kit
LQH32PN330MN0□	33μH±20%	380mA	390mA	1.15ohm ±20%	13MHz	Kit
LQH32PN470MN0□	47μH±20%	330mA	310mA	1.78ohm ±20%	11MHz	Kit
LQH32PN680MN0□	68μH±20%	280mA	275mA	2.28ohm ±20%	11MHz	Kit
LQH32PN101MN0□	100μH±20%	180mA	250mA	2.70ohm ±20%	8MHz	Kit
LQH32PN121MN0□	120μH±20%	170mA	200mA	4.38ohm ±20%	8MHz	Kit

Test Frequency: 1MHz Class of Magnetic Shield: Magnetic shield of magnetic powder in resin

Operating Temperature Range (Self-temperature rise is included): -40°C to +125°C

Operating Temperature Range (Self-temperature rise is not included): -40°C to +85°C

Only for reflow soldering.

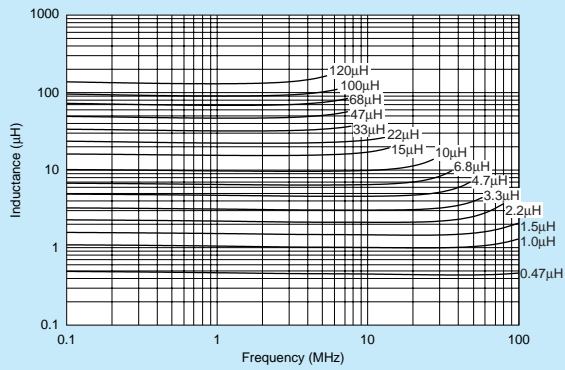
\*1 When Rated Current is applied to the Products, Inductance will be within ±30% of nominal Inductance value.

\*2 When Rated Current is applied to the Products, self-generation of heat will rise to 40°C or less.

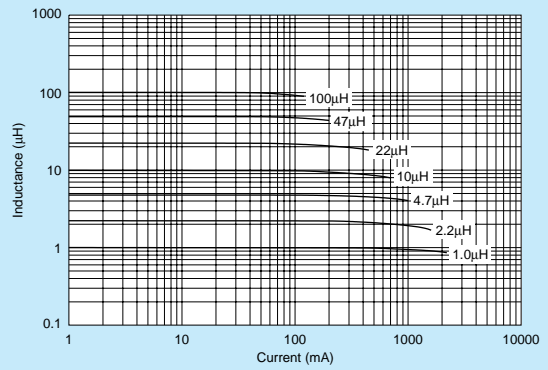
Continued on the following page. ↗



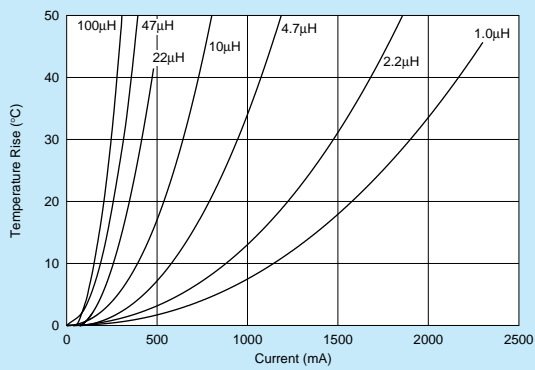
■ Inductance-Frequency Characteristics (Typ.)



■ Inductance-Current Characteristics (Typ.)



■ Temperature Rise Characteristics (Typ.)



Wire Wound Magnetic Type for Voltage Conversion Inductor for Power Lines (Power Inductor)

Inductor for Low Frequency Circuits

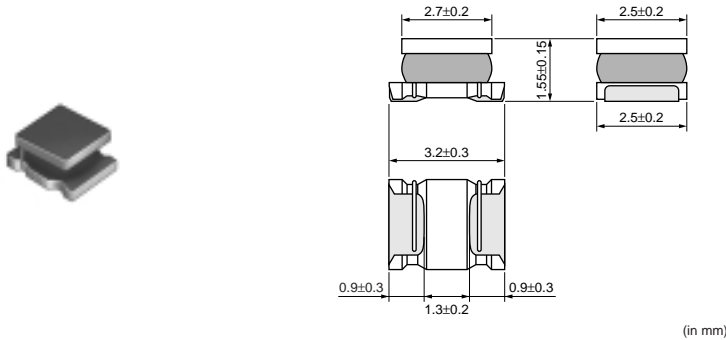
RF Inductor

△Note • Please read rating and △CAUTION (for storage, operating, rating, soldering, mounting and handling) in this catalog to prevent smoking and/or burning, etc.  
 • This catalog has only typical specifications because there is no space for detailed specifications. Therefore, please review our product specifications or consult the approval sheet for product specifications before ordering.



## Bias Current Characteristics Improved

### ■ Dimensions



### ■ Packaging

Code	Packaging	Minimum Quantity
L	180mm Embossed Tape	2000
K	330mm Embossed Tape	7500

Refer to pages from p.80 to p.83 for mounting information.

### ■ Rated Value (□: packaging code)

Part Number	Inductance	Rated Current <sup>*1</sup> (Based on Inductance Change)	Rated Current <sup>*2</sup> (Based on Temperature Rise)	DC Resistance	Self Resonance Frequency (min.)	
LQH32PNR47NNC□	0.47μH±30%	4400mA	2900mA	0.024ohm ±20%	100MHz	New
LQH32PN1R0NNC□	1.0μH±30%	3000mA	2500mA	0.036ohm ±20%	100MHz	New
LQH32PN1R5NNC□	1.5μH±30%	2600mA	2100mA	0.053ohm ±20%	70MHz	New
LQH32PN2R2NNC□	2.2μH±30%	2000mA	1850mA	0.064ohm ±20%	70MHz	New
LQH32PN3R3NNC□	3.3μH±30%	1900mA	1550mA	0.100ohm ±20%	50MHz	New
LQH32PN4R7NNC□	4.7μH±30%	1600mA	1200mA	0.155ohm ±20%	40MHz	New
LQH32PN6R8NNC□	6.8μH±30%	1300mA	1100mA	0.220ohm ±20%	40MHz	New
LQH32PN100MNC□	10μH±20%	1000mA	900mA	0.295ohm ±20%	30MHz	New
LQH32PN150MNC□	15μH±20%	800mA	700mA	0.475ohm ±20%	20MHz	New
LQH32PN220MNC□	22μH±20%	650mA	550mA	0.685ohm ±20%	20MHz	New

Test Frequency: 1MHz Class of Magnetic Shield: Magnetic shield of magnetic powder in resin

Operating Temperature Range (Self-temperature rise is included): -40°C to +125°C

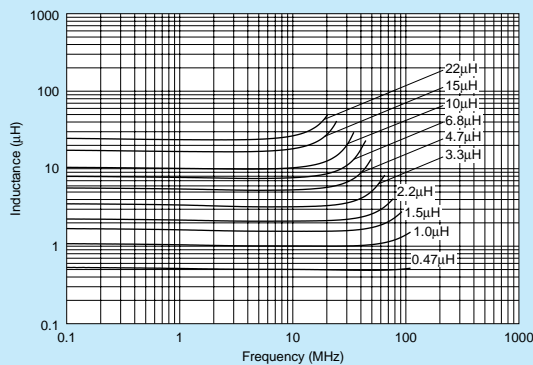
Operating Temperature Range (Self-temperature rise is not included): -40°C to +85°C

Only for reflow soldering.

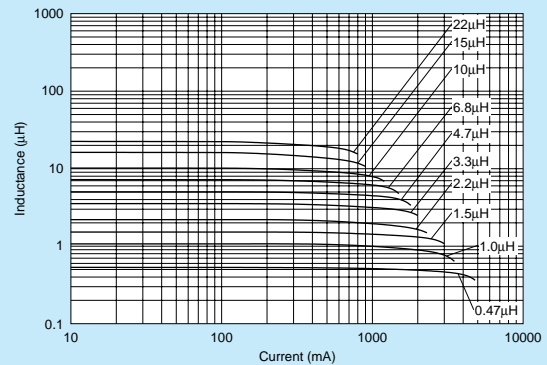
\*1 When Rated Current is applied to the Products, Inductance will be within ±30% of nominal Inductance value.

\*2 When Rated Current is applied to the Products, self-generation of heat will rise to 40°C or less.

### ■ Inductance-Frequency Characteristics (Typ.)



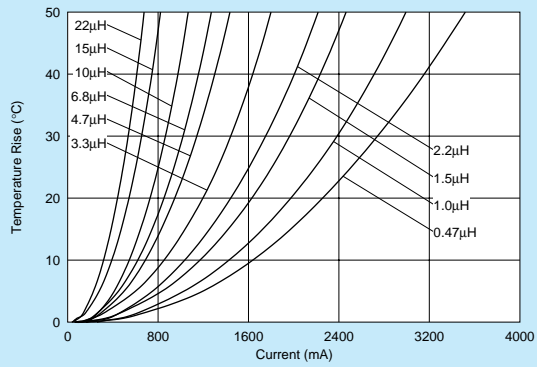
### ■ Inductance-Current Characteristics (Typ.)



Continued on the following page.

△Note • Please read rating and △CAUTION (for storage, operating, rating, soldering, mounting and handling) in this catalog to prevent smoking and/or burning, etc.  
• This catalog has only typical specifications because there is no space for detailed specifications. Therefore, please review our product specifications or consult the approval sheet for product specifications before ordering.

### ■ Temperature Rise Characteristics (Typ.)



△Note • Please read rating and △CAUTION (for storage, operating, rating, soldering, mounting and handling) in this catalog to prevent smoking and/or burning, etc.  
• This catalog has only typical specifications because there is no space for detailed specifications. Therefore, please review our product specifications or consult the approval sheet for product specifications before ordering.

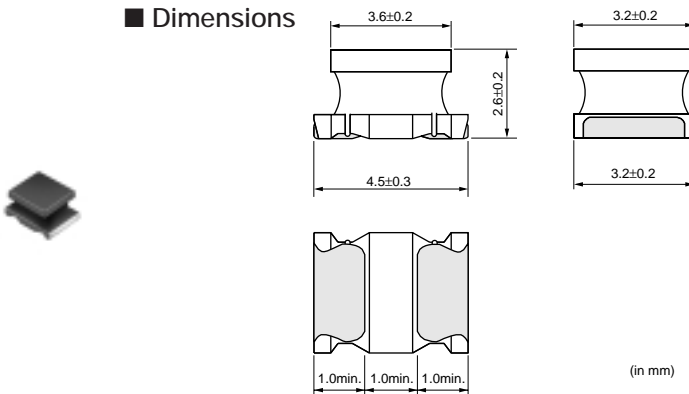
# LQH43P-26 Series (1812 Size)

LQH43P\_26



1812 Size, 2.8mm max. Thickness

■ Dimensions



■ Packaging

Code	Packaging	Minimum Quantity
L	180mm Embossed Tape	500
K	330mm Embossed Tape	2500

Refer to pages from p.80 to p.83 for mounting information.

■ Rated Value (□: packaging code)

Part Number	Inductance	Rated Current <sup>*1</sup> (Based on Inductance Change)	Rated Current <sup>*2</sup> (Based on Temperature Rise)	DC Resistance	Self Resonance Frequency (min.)	
LQH43PN1R0N26□	1.0μH±30%	3400mA	3300mA	0.026ohm ±20%	100MHz	New Kit
LQH43PN2R2M26□	2.2μH±20%	2300mA	2500mA	0.042ohm ±20%	45MHz	New Kit
LQH43PN3R3M26□	3.3μH±20%	1800mA	2100mA	0.052ohm ±20%	40MHz	New Kit
LQH43PN4R7M26□	4.7μH±20%	1400mA	1600mA	0.075ohm ±20%	35MHz	New Kit
LQH43PN6R8M26□	6.8μH±20%	1200mA	1400mA	0.098ohm ±20%	30MHz	New Kit
LQH43PN8R2M26□	8.2μH±20%	1100mA	1300mA	0.128ohm ±20%	25MHz	New Kit
LQH43PN100M26□	10μH±20%	1050mA	1170mA	0.147ohm ±20%	20MHz	New Kit
LQH43PN220M26□	22μH±20%	700mA	780mA	0.327ohm ±20%	15MHz	New Kit
LQH43PN470M26□	47μH±20%	470mA	520mA	0.718ohm ±20%	8MHz	New Kit
LQH43PN101M26□	100μH±20%	320mA	320mA	1.538ohm ±20%	4MHz	New Kit
LQH43PN151M26□	150μH±20%	280mA	260mA	2.362ohm ±20%	3MHz	New Kit
LQH43PN221M26□	220μH±20%	220mA	240mA	2.900ohm ±20%	2MHz	New Kit

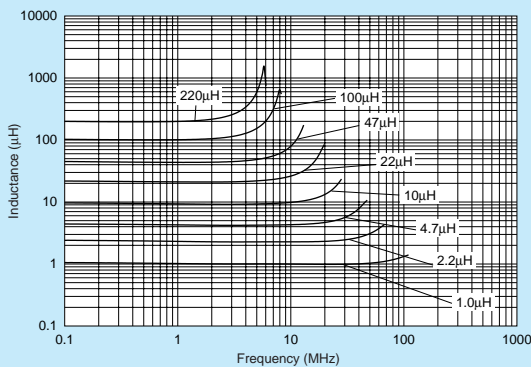
Test Frequency: 1MHz Class of Magnetic Shield: Magnetic shield of magnetic powder in resin

Operating Temperature Range (Self-temperature rise is not included): -40°C to +85°C

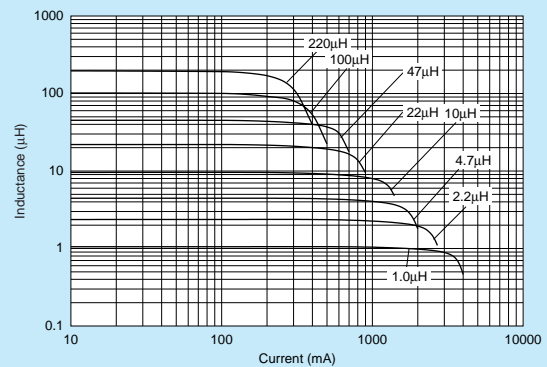
\*1 When Rated Current is applied to the Products, Inductance will be within ±30% of nominal Inductance value.

\*2 When Rated Current is applied to the Products, self-generation of heat will rise to 40°C or less.

■ Inductance-Frequency Characteristics (Typ.)



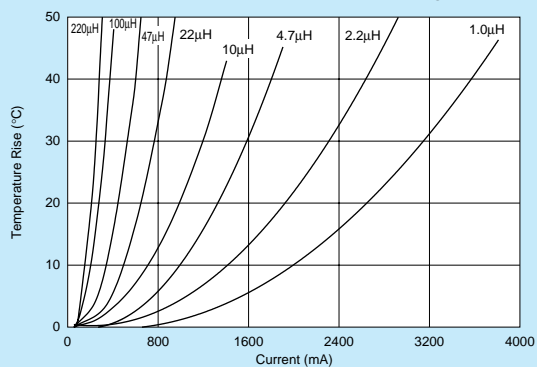
■ Inductance-Current Characteristics (Typ.)



Continued on the following page. ↗

△Note • Please read rating and △CAUTION (for storage, operating, rating, soldering, mounting and handling) in this catalog to prevent smoking and/or burning, etc.  
• This catalog has only typical specifications because there is no space for detailed specifications. Therefore, please review our product specifications or consult the approval sheet for product specifications before ordering.

■ Temperature Rise Characteristics (Typ.)



Wire Wound Magnetic Type for Voltage Conversion Inductor for Power Lines (Power Inductor)

Inductor for Low Frequency Circuits

RF Inductor

△Note • Please read rating and △CAUTION (for storage, operating, rating, soldering, mounting and handling) in this catalog to prevent smoking and/or burning, etc.  
 • This catalog has only typical specifications because there is no space for detailed specifications. Therefore, please review our product specifications or consult the approval sheet for product specifications before ordering.

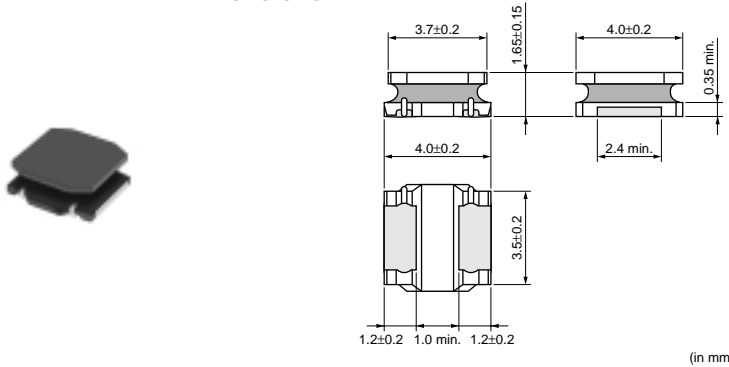
# LQH44P\_PO Series (1515 Size)

LQH44P\_PO



1515 Size, 1.8mm max. Thickness

### ■ Dimensions



### ■ Packaging

Code	Packaging	Minimum Quantity
L	180mm Embossed Tape	1000
K	330mm Embossed Tape	3500

Refer to pages from p.80 to p.83 for mounting information.

### ■ Rated Value (□: packaging code)

Part Number	Inductance	Rated Current <sup>*1</sup> (Based on Inductance Change)	Rated Current <sup>*2</sup> (Based on Temperature Rise)	DC Resistance	Self Resonance Frequency (min.)	Kit
LQH44PN1R0NP0□	1.0μH±30%	2950mA	2450mA	0.030ohm ±20%	90MHz	Kit
LQH44PN2R2MP0□	2.2μH±20%	2500mA	1800mA	0.049ohm ±20%	70MHz	Kit
LQH44PN3R3MP0□	3.3μH±20%	2100mA	1770mA	0.065ohm ±20%	50MHz	Kit
LQH44PN4R7MP0□	4.7μH±20%	1700mA	1700mA	0.080ohm ±20%	40MHz	Kit
LQH44PN6R8MP0□	6.8μH±20%	1400mA	1340mA	0.12ohm ±20%	35MHz	Kit
LQH44PN100MP0□	10μH±20%	1150mA	1170mA	0.16ohm ±20%	25MHz	Kit
LQH44PN220MP0□	22μH±20%	800mA	790mA	0.37ohm ±20%	17MHz	Kit

Test Frequency: 1MHz Class of Magnetic Shield: Magnetic shield of magnetic powder in resin

Operating Temperature Range (Self-temperature rise is included): -40°C to +125°C

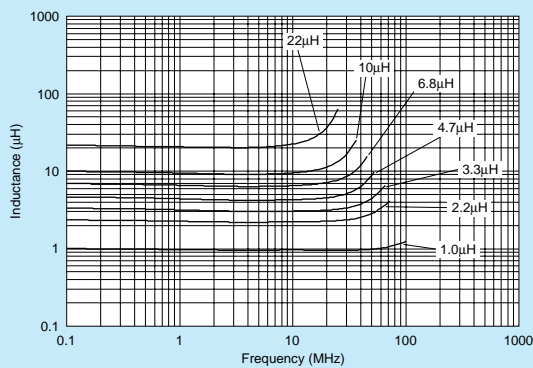
Operating Temperature Range (Self-temperature rise is not included): -40°C to +85°C

Only for reflow soldering.

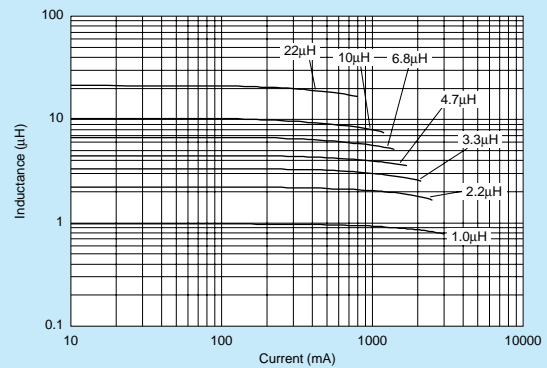
\*1 When Rated Current is applied to the Products, Inductance will be within ±30% of nominal Inductance value.

\*2 When Rated Current is applied to the Products, self-generation of heat will rise to 40°C or less.

### ■ Inductance-Frequency Characteristics (Typ.)



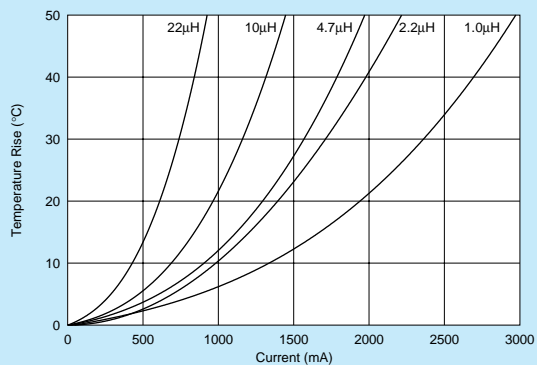
### ■ Inductance-Current Characteristics (Typ.)



Continued on the following page.

△Note • Please read rating and △CAUTION (for storage, operating, rating, soldering, mounting and handling) in this catalog to prevent smoking and/or burning, etc.  
• This catalog has only typical specifications because there is no space for detailed specifications. Therefore, please review our product specifications or consult the approval sheet for product specifications before ordering.

■ Temperature Rise Characteristics (Typ.)



Wire Wound Magnetic Type for Voltage Conversion Inductor for Power Lines (Power Inductor)

Inductor for Low Frequency Circuits

RF Inductor

△Note • Please read rating and △CAUTION (for storage, operating, rating, soldering, mounting and handling) in this catalog to prevent smoking and/or burning, etc.  
 • This catalog has only typical specifications because there is no space for detailed specifications. Therefore, please review our product specifications or consult the approval sheet for product specifications before ordering.

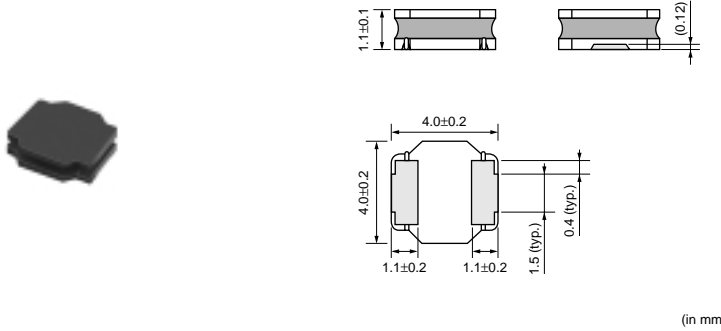
# LQH44P\_J0 Series (1515 Size)

LQH44P\_J0



1515 Size, 1.2mm max. Thickness

### ■ Dimensions



### ■ Packaging

Code	Packaging	Minimum Quantity
L	180mm Embossed Tape	1000
K	330mm Embossed Tape	3500

Refer to pages from p.80 to p.83 for mounting information.

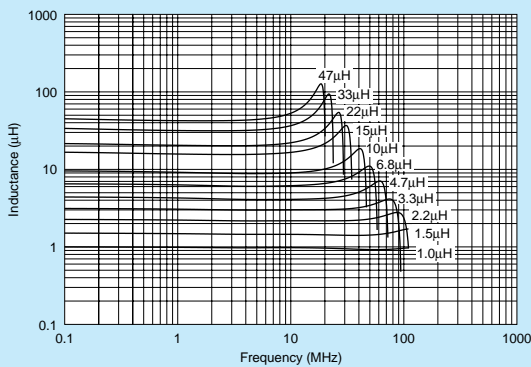
### ■ Rated Value (□: packaging code)

Part Number	Inductance	Rated Current <sup>*1</sup> (Based on Inductance Change)	Rated Current <sup>*2</sup> (Based on Temperature Rise)	DC Resistance	Self Resonance Frequency (min.)	
LQH44PN1R0NJ0□	1.0μH±30%	2000mA	1530mA	0.048ohm ±20%	130MHz	Kit
LQH44PN1R5MJ0□	1.5μH±20%	1600mA	1380mA	0.061ohm ±20%	90MHz	Kit
LQH44PN2R2MJ0□	2.2μH±20%	1320mA	1230mA	0.074ohm ±20%	68MHz	Kit
LQH44PN3R3MJ0□	3.3μH±20%	900mA	1000mA	0.088ohm ±20%	55MHz	Kit
LQH44PN4R7MJ0□	4.7μH±20%	840mA	980mA	0.117ohm ±20%	50MHz	Kit
LQH44PN6R8MJ0□	6.8μH±20%	720mA	860mA	0.143ohm ±20%	38MHz	Kit
LQH44PN100MJ0□	10μH±20%	560mA	790mA	0.207ohm ±20%	30MHz	Kit
LQH44PN150MJ0□	15μH±20%	430mA	610mA	0.385ohm ±20%	25MHz	Kit
LQH44PN220MJ0□	22μH±20%	400mA	550mA	0.480ohm ±20%	18MHz	Kit
LQH44PN330MJ0□	33μH±20%	360mA	430mA	0.740ohm ±20%	15MHz	Kit
LQH44PN470MJ0□	47μH±20%	300mA	380mA	1.014ohm ±20%	13MHz	Kit

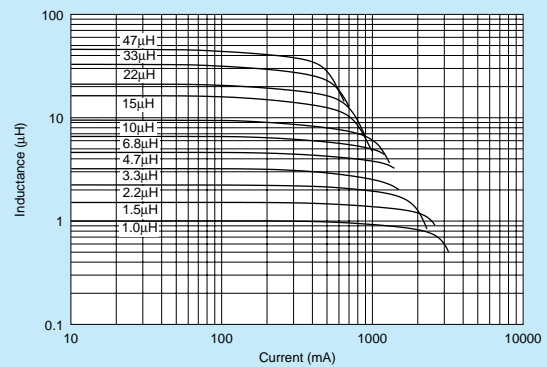
Test Frequency: 100kHz Class of Magnetic Shield: Magnetic shield of magnetic powder in resin  
 Operating Temperature Range (Self-temperature rise is included): -40°C to +125°C  
 Operating Temperature Range (Self-temperature rise is not included): -40°C to +85°C  
 Only for reflow soldering.

\*1 When Rated Current is applied to the Products, Inductance will be within ±30% of nominal Inductance value.  
 \*2 When Rated Current is applied to the Products, self-generation of heat will rise to 40°C or less.

### ■ Inductance-Frequency Characteristics (Typ.)



### ■ Inductance-Current Characteristics (Typ.)

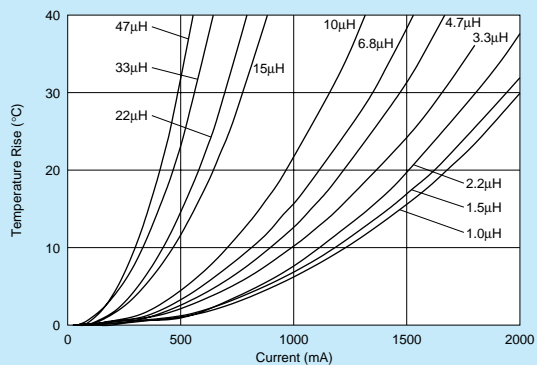


Continued on the following page.

△Note • Please read rating and △CAUTION (for storage, operating, rating, soldering, mounting and handling) in this catalog to prevent smoking and/or burning, etc.  
 • This catalog has only typical specifications because there is no space for detailed specifications. Therefore, please review our product specifications or consult the approval sheet for product specifications before ordering.



■ Temperature Rise Characteristics (Typ.)



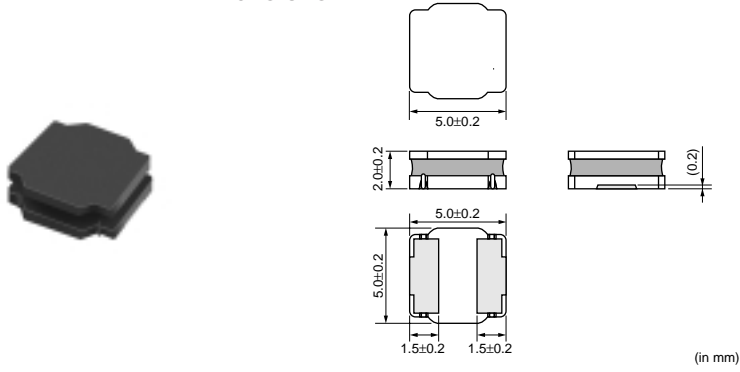
△Note • Please read rating and △CAUTION (for storage, operating, rating, soldering, mounting and handling) in this catalog to prevent smoking and/or burning, etc.  
 • This catalog has only typical specifications because there is no space for detailed specifications. Therefore, please review our product specifications or consult the approval sheet for product specifications before ordering.

# LQH5BP\_T0 Series (2020 Size)



2020 Size, 2.2mm max. Thickness

■ Dimensions



■ Packaging

Code	Packaging	Minimum Quantity
L	180mm Embossed Tape	500
K	330mm Embossed Tape	3000

Refer to pages from p.80 to p.83 for mounting information.

■ Rated Value (□: packaging code)

Part Number	Inductance	Rated Current <sup>*1</sup> (Based on Inductance Change)	Rated Current <sup>*2</sup> (Based on Temperature Rise)	DC Resistance	Self Resonance Frequency (min.)	
LQH5BPNR47NT0□	0.47μH±30%	7.7A	4.0A	0.012ohm ±20%	220MHz	New Kit
LQH5BPN1R0NT0□	1.0μH±30%	5.8A	3.1A	0.019ohm ±20%	90MHz	New Kit
LQH5BPN1R2NT0□	1.2μH±30%	5.4A	3.1A	0.019ohm ±20%	90MHz	New Kit
LQH5BPN1R5NT0□	1.5μH±30%	5.0A	3.0A	0.024ohm ±20%	70MHz	New Kit
LQH5BPN2R2NT0□	2.2μH±30%	4.0A	2.6A	0.030ohm ±20%	55MHz	New Kit
LQH5BPN2R7NT0□	2.7μH±30%	3.8A	2.5A	0.035ohm ±20%	50MHz	New Kit
LQH5BPN3R3NT0□	3.3μH±30%	3.5A	2.3A	0.044ohm ±20%	40MHz	New Kit
LQH5BPN4R7NT0□	4.7μH±30%	3.0A	2.0A	0.058ohm ±20%	40MHz	New Kit
LQH5BPN6R8NT0□	6.8μH±30%	2.5A	1.65A	0.083ohm ±20%	30MHz	New Kit
LQH5BPN100MT0□	10μH±20%	2.0A	1.60A	0.106ohm ±20%	25MHz	New Kit
LQH5BPN150MT0□	15μH±20%	1.6A	1.20A	0.187ohm ±20%	18MHz	New Kit
LQH5BPN220MT0□	22μH±20%	1.4A	1.05A	0.259ohm ±20%	15MHz	New Kit

Test Frequency: 100kHz Class of Magnetic Shield: Magnetic shield of magnetic powder in resin

Operating Temperature Range (Self-temperature rise is included): -40°C to +125°C

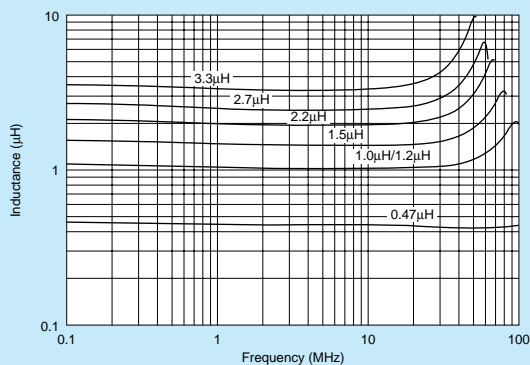
Operating Temperature Range (Self-temperature rise is not included): -40°C to +85°C

Only for reflow soldering.

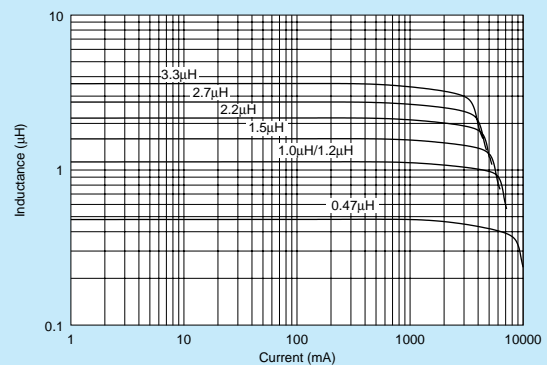
\*1 When Rated Current is applied to the Products, Inductance will be within ±30% of nominal Inductance value.

\*2 When Rated Current is applied to the Products, self-generation of heat will rise to 40°C or less.

■ Inductance-Frequency Characteristics (Typ.)



■ Inductance-Current Characteristics (Typ.)



Continued on the following page.

△Note • Please read rating and △CAUTION (for storage, operating, rating, soldering, mounting and handling) in this catalog to prevent smoking and/or burning, etc.

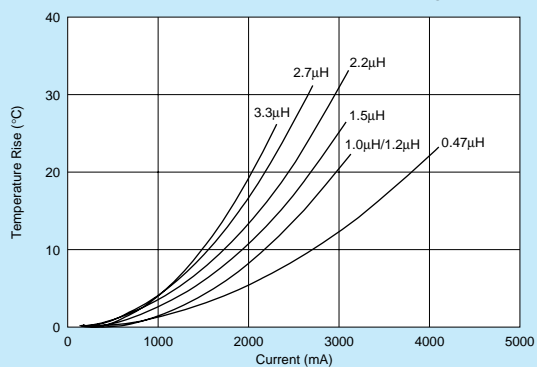
• This catalog has only typical specifications because there is no space for detailed specifications. Therefore, please review our product specifications or consult the approval sheet for product specifications before ordering.

Inductor for Power Lines (Power Inductor)  
Wire Wound Magnetic Type for Voltage Conversion

Inductor for Low Frequency Circuits

RF Inductor

### ■ Temperature Rise Characteristics (Typ.)



△Note • Please read rating and △CAUTION (for storage, operating, rating, soldering, mounting and handling) in this catalog to prevent smoking and/or burning, etc.  
• This catalog has only typical specifications because there is no space for detailed specifications. Therefore, please review our product specifications or consult the approval sheet for product specifications before ordering.

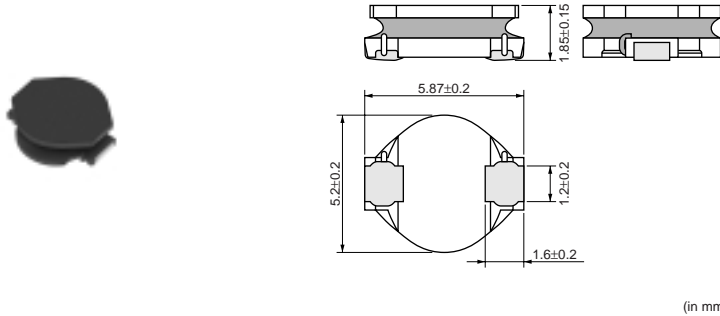
# LQH55P\_R0 Series (2220 Size)

LQH55P\_R0



2220 Size, 2.0mm max. Thickness

### ■ Dimensions



### ■ Packaging

Code	Packaging	Minimum Quantity
L	180mm Embossed Tape	500
K	330mm Embossed Tape	3000

Refer to pages from p.80 to p.83 for mounting information.

### ■ Rated Value (□: packaging code)

Part Number	Inductance	Rated Current <sup>*1</sup> (Based on Inductance Change)	Rated Current <sup>*2</sup> (Based on Temperature Rise)	DC Resistance	Self Resonance Frequency (min.)
LQH55PN1R2NR0□	1.2μH±30%	2600mA	2900mA	0.021ohm ±20%	80MHz
LQH55PN2R2NR0□	2.2μH±30%	2100mA	2500mA	0.031ohm ±20%	60MHz
LQH55PN2R7NR0□	2.7μH±30%	2070mA	2150mA	0.040ohm ±20%	50MHz
LQH55PN3R3NR0□	3.3μH±30%	2000mA	2000mA	0.044ohm ±20%	35MHz
LQH55PN4R7NR0□	4.7μH±30%	1400mA	1750mA	0.060ohm ±20%	30MHz
LQH55PN6R8NR0□	6.8μH±30%	1200mA	1450mA	0.087ohm ±20%	25MHz
LQH55PN100MR0□	10μH±20%	1000mA	1250mA	0.11ohm ±20%	20MHz
LQH55PN220MR0□	22μH±20%	670mA	850mA	0.26ohm ±20%	10MHz

Test Frequency: 100kHz Class of Magnetic Shield: Magnetic shield of magnetic powder in resin

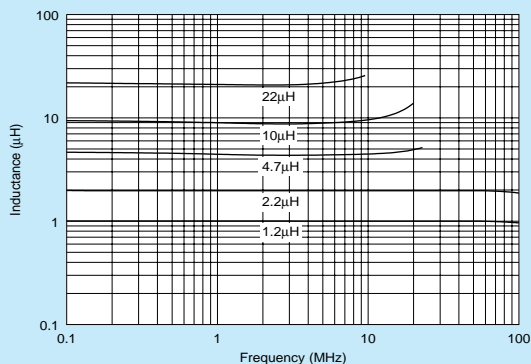
Operating Temperature Range (Self-temperature rise is not included): -40°C to +85°C

Only for reflow soldering.

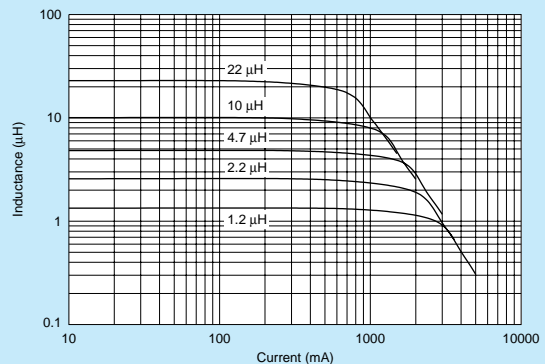
\*1 When Rated Current is applied to the Products, Inductance will be within ±30% of nominal Inductance value.

\*2 When Rated Current is applied to the Products, self-generation of heat will rise to 40°C or less.

### ■ Inductance-Frequency Characteristics (Typ.)



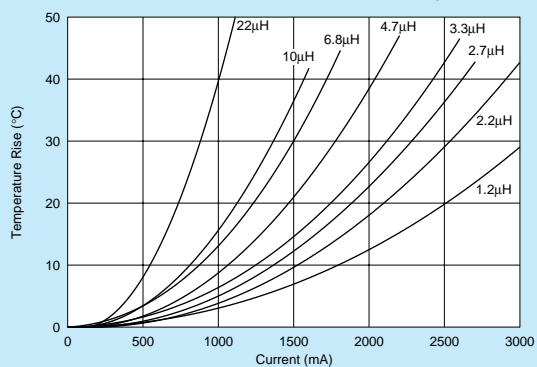
### ■ Inductance-Current Characteristics (Typ.)



Continued on the following page.

△Note • Please read rating and △CAUTION (for storage, operating, rating, soldering, mounting and handling) in this catalog to prevent smoking and/or burning, etc.  
• This catalog has only typical specifications because there is no space for detailed specifications. Therefore, please review our product specifications or consult the approval sheet for product specifications before ordering.

■ Temperature Rise Characteristics (Typ.)



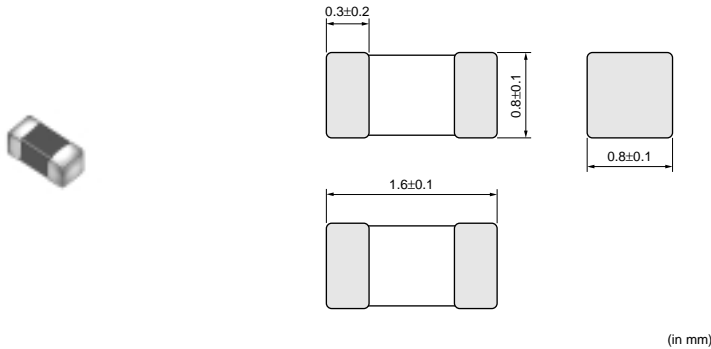
△Note • Please read rating and △CAUTION (for storage, operating, rating, soldering, mounting and handling) in this catalog to prevent smoking and/or burning, etc.  
 • This catalog has only typical specifications because there is no space for detailed specifications. Therefore, please review our product specifications or consult the approval sheet for product specifications before ordering.

# LQM18F Series (0603 Size)



## 0603 Size

### ■ Dimensions



### ■ Packaging

Code	Packaging	Minimum Quantity
D	180mm Paper Tape	4000
J	330mm Paper Tape	10000
B	Bulk(Bag)	1000

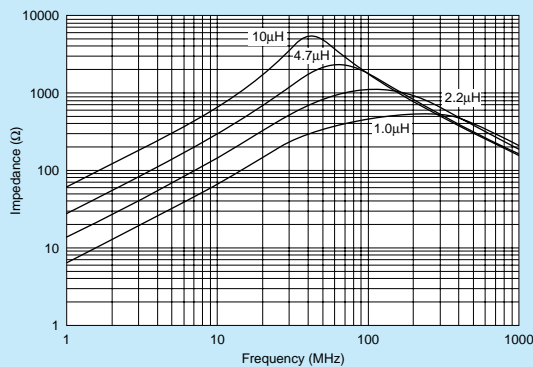
Refer to pages from p.80 to p.83 for mounting information.

### ■ Rated Value (□: packaging code)

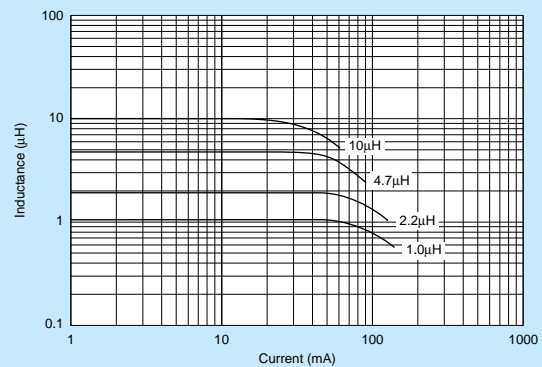
Part Number	Inductance	Test Frequency	Rated Current	DC Resistance	Self Resonance Frequency (min.)	
LQM18FN1R0M00□	1.0μH±20%	1MHz	150mA	0.20ohm±30%	120MHz	Kit
LQM18FN2R2M00□	2.2μH±20%	1MHz	120mA	0.40ohm±30%	80MHz	Kit
LQM18FN4R7M00□	4.7μH±20%	1MHz	80mA	0.60ohm±30%	50MHz	Kit
LQM18FN100M00□	10μH±20%	1MHz	50mA	0.90ohm±30%	30MHz	Kit

Class of Magnetic Shield: Magnetic shield of ferrite    Operating Temperature Range: -55°C to +125°C

### ■ Impedance-Frequency Characteristics (Typ.)



### ■ Inductance-Current Characteristics (Typ.)



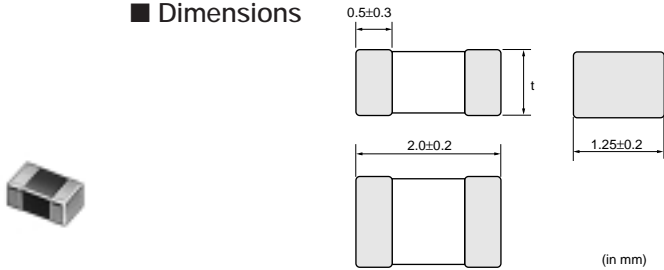
△Note • Please read rating and △CAUTION (for storage, operating, rating, soldering, mounting and handling) in this catalog to prevent smoking and/or burning, etc.  
 • This catalog has only typical specifications because there is no space for detailed specifications. Therefore, please review our product specifications or consult the approval sheet for product specifications before ordering.

# LQM21D Series (0805 Size)



## 0805 Size, Low DC Resistance Type

### ■ Dimensions



Dimension of t	Inductance: 1.0 to 10μH	0.85±0.2
	Inductance: 22 to 47μH	1.25±0.2

### ■ Packaging

Code	Packaging	Minimum Quantity
D	180mm Paper Tape	4000 *1
L	180mm Embossed Tape	3000 *2
J	330mm Paper Tape	10000 *1
K	330mm Embossed Tape	10000 *2
B	Bulk(Bag)	1000

\*1: only LQM21D (1.0 to 10μH)

\*2: only LQM21D (22 to 47μH)

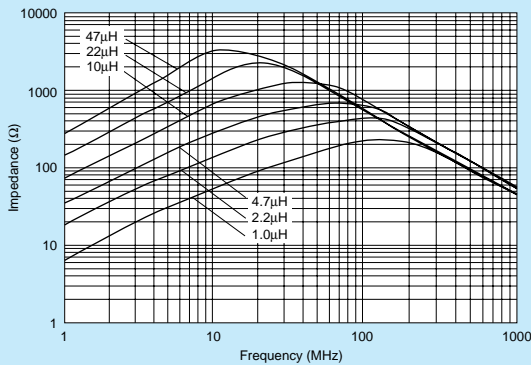
Refer to pages from p.80 to p.83 for mounting information.

### ■ Rated Value (□: packaging code)

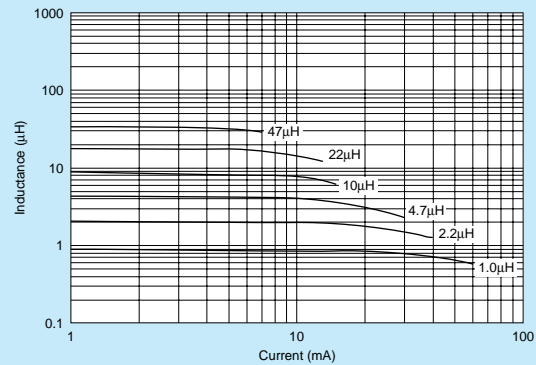
Part Number	Inductance	Test Frequency	Rated Current	Max. of DC Resistance	Self Resonance Frequency (min.)
LQM21DN1R0N00□	1.0μH±30%	1MHz	60mA	0.10ohm	75MHz
LQM21DN2R2N00□	2.2μH±30%	1MHz	40mA	0.17ohm	50MHz
LQM21DN4R7N00□	4.7μH±30%	1MHz	30mA	0.30ohm	35MHz
LQM21DN100N00□	10μH±30%	1MHz	15mA	0.50ohm	24MHz
LQM21DN220N00□	22μH±30%	1MHz	13mA	0.65ohm	16MHz
LQM21DN470N00□	47μH±30%	1MHz	7mA	1.20ohm	7.5MHz

Class of Magnetic Shield: Magnetic shield of ferrite    Operating Temperature Range: -40°C to +85°C

### ■ Impedance-Frequency Characteristics (Typ.)



### ■ Inductance-Current Characteristics (Typ.)

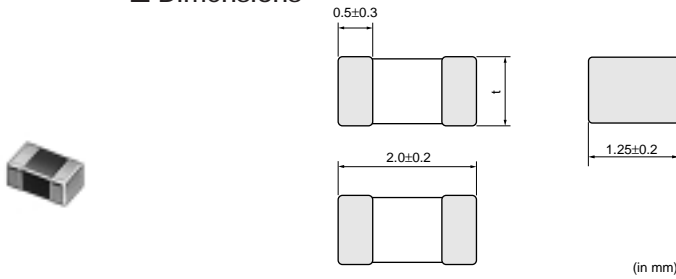


△Note • Please read rating and △CAUTION (for storage, operating, rating, soldering, mounting and handling) in this catalog to prevent smoking and/or burning, etc.  
• This catalog has only typical specifications because there is no space for detailed specifications. Therefore, please review our product specifications or consult the approval sheet for product specifications before ordering.



## Bias Current Characteristics Improved

### ■ Dimensions



Dimension of t	Inductance: 1.0 to 2.2μH	0.85±0.2
	Inductance: 4.7 to 47μH	1.25±0.2

### ■ Packaging

Code	Packaging	Minimum Quantity
D	180mm Paper Tape	4000 *1
L	180mm Embossed Tape	3000 *2
J	330mm Paper Tape	10000 *1
K	330mm Embossed Tape	10000 *2
B	Bulk(Bag)	1000

\*1: only LQM21F (1.0 to 2.2μH)

\*2: only LQM21F (4.7 to 47μH)

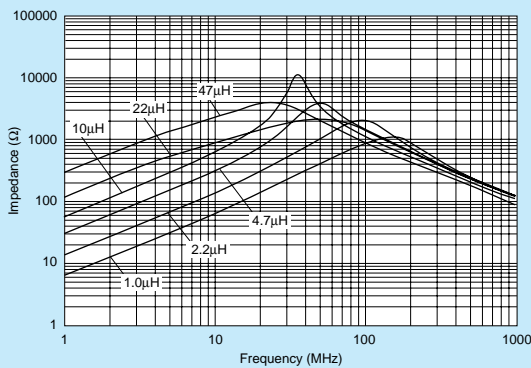
Refer to pages from p.80 to p.83 for mounting information.

### ■ Rated Value (□: packaging code)

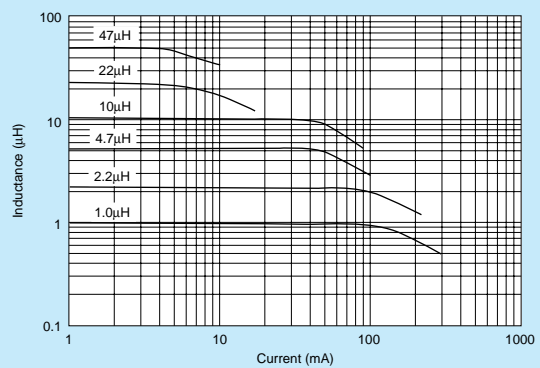
Part Number	Inductance	Test Frequency	Rated Current	DC Resistance	Self Resonance Frequency (min.)	
LQM21FN1R0N00□	1.0μH±30%	1MHz	220mA	0.20ohm±30%	105MHz	Kit
LQM21FN2R2N00□	2.2μH±30%	1MHz	150mA	0.28ohm±30%	70MHz	Kit
LQM21FN4R7N00□	4.7μH±30%	1MHz	80mA	0.30ohm±30%	25MHz	
LQM21FN100N00□	10μH±30%	1MHz	60mA	0.50ohm±30%	15MHz	
LQM21FN220N00□	22μH±30%	1MHz	13mA	0.35ohm±30%	15MHz	Kit
LQM21FN470N00□	47μH±30%	1MHz	7mA	0.60ohm±30%	7.5MHz	Kit

Class of Magnetic Shield: Magnetic shield of ferrite    Operating Temperature Range: -40°C to +85°C

### ■ Impedance-Frequency Characteristics (Typ.)



### ■ Inductance-Current Characteristics (Typ.)



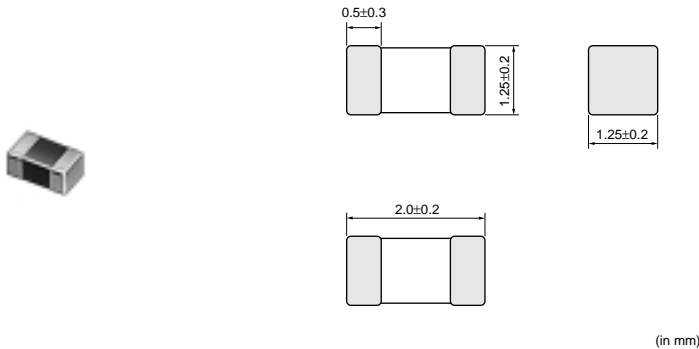
△Note • Please read rating and △CAUTION (for storage, operating, rating, soldering, mounting and handling) in this catalog to prevent smoking and/or burning, etc.  
• This catalog has only typical specifications because there is no space for detailed specifications. Therefore, please review our product specifications or consult the approval sheet for product specifications before ordering.





## 0805 Size, Large Current

### ■ Dimensions



### ■ Packaging

Code	Packaging	Minimum Quantity
L	180mm Embossed Tape	3000
B	Bulk(Bag)	1000

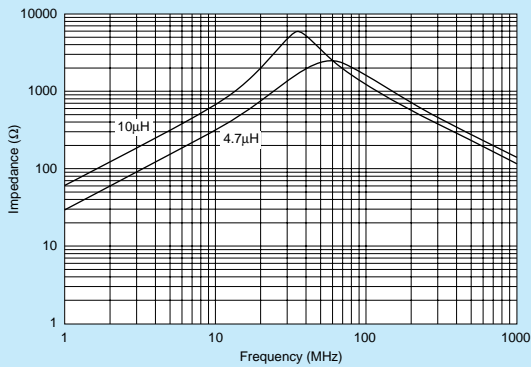
Refer to pages from p.80 to p.83 for mounting information.

### ■ Rated Value (□: packaging code)

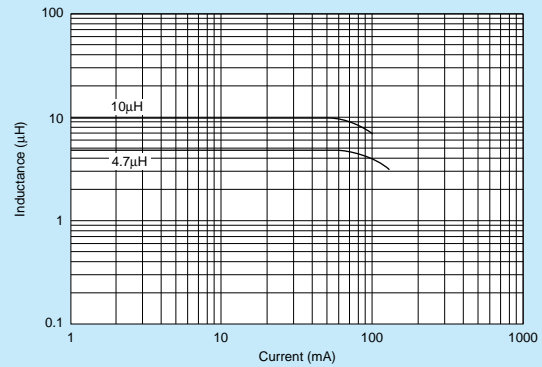
Part Number	Inductance	Test Frequency	Rated Current	DC Resistance	Self Resonance Frequency (min.)	
LQM21FN4R7M70□	4.7 $\mu$ H $\pm$ 20%	1MHz	120mA	0.35ohm $\pm$ 30%	25MHz	Kit
LQM21FN100M70□	10 $\mu$ H $\pm$ 20%	1MHz	100mA	0.60ohm $\pm$ 30%	15MHz	Kit

Class of Magnetic Shield: Magnetic shield of ferrite    Operating Temperature Range: -55°C to +125°C

### ■ Impedance-Frequency Characteristics (Typ.)



### ■ Inductance-Current Characteristics (Typ.)

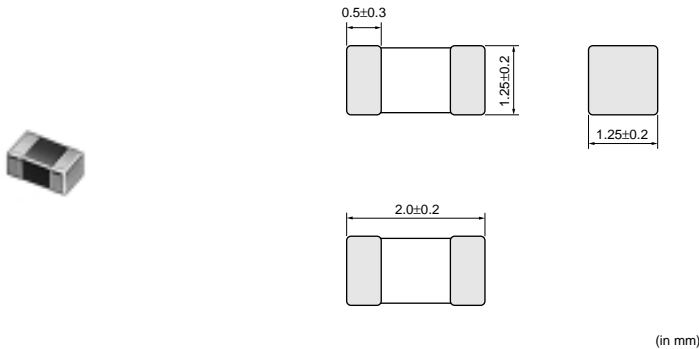


△Note • Please read rating and △CAUTION (for storage, operating, rating, soldering, mounting and handling) in this catalog to prevent smoking and/or burning, etc.  
 • This catalog has only typical specifications because there is no space for detailed specifications. Therefore, please review our product specifications or consult the approval sheet for product specifications before ordering.



## 0805 Size, Large Current, Low DC Resistance

### ■ Dimensions



### ■ Packaging

Code	Packaging	Minimum Quantity
L	180mm Embossed Tape	3000
K	330mm Embossed Tape	10000
B	Bulk(Bag)	1000

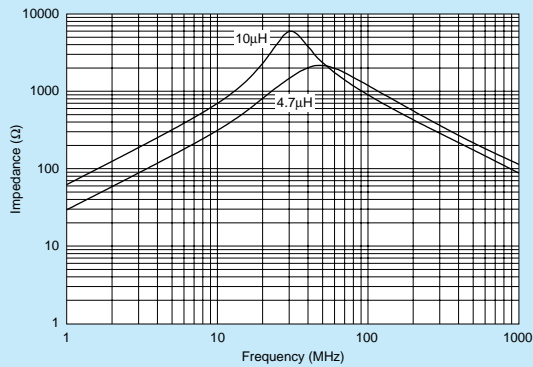
Refer to pages from p.80 to p.83 for mounting information.

### ■ Rated Value (□: packaging code)

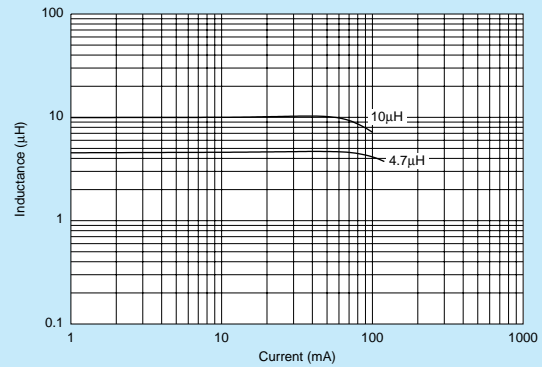
Part Number	Inductance	Test Frequency	Rated Current	DC Resistance	Self Resonance Frequency (min.)	
LQM21FN4R7M80□	4.7 $\mu$ H $\pm$ 20%	1MHz	120mA	0.18ohm $\pm$ 30%	25MHz	Kit
LQM21FN100M80□	10 $\mu$ H $\pm$ 20%	1MHz	100mA	0.30ohm $\pm$ 30%	15MHz	Kit

Class of Magnetic Shield: Magnetic shield of ferrite    Operating Temperature Range: -55°C to +125°C

### ■ Impedance-Frequency Characteristics (Typ.)



### ■ Inductance-Current Characteristics (Typ.)



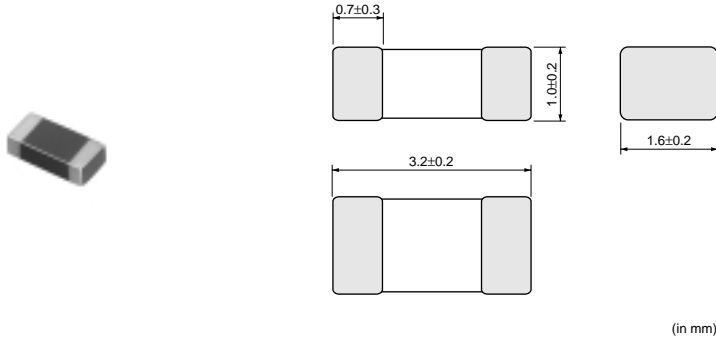
△Note • Please read rating and △CAUTION (for storage, operating, rating, soldering, mounting and handling) in this catalog to prevent smoking and/or burning, etc.  
 • This catalog has only typical specifications because there is no space for detailed specifications. Therefore, please review our product specifications or consult the approval sheet for product specifications before ordering.

# LQM31F Series (1206 Size)



## 1206 Size

### ■ Dimensions



### ■ Packaging

Code	Packaging	Minimum Quantity
L	180mm Embossed Tape	3000
K	330mm Embossed Tape	10000
B	Bulk(Bag)	1000

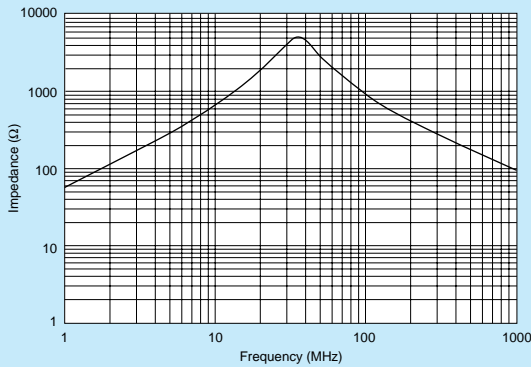
Refer to pages from p.80 to p.83 for mounting information.

### ■ Rated Value (□: packaging code)

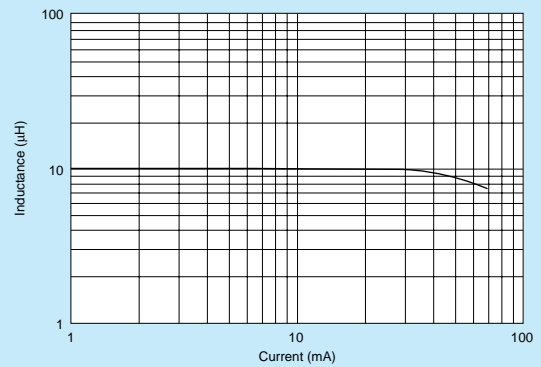
Part Number	Inductance	Test Frequency	Rated Current	Max. of DC Resistance	Self Resonance Frequency (min.)	
LQM31FN100M00□	10 $\mu$ H $\pm$ 20%	1MHz	70mA	0.50ohm	20MHz	Kit

Class of Magnetic Shield: Magnetic shield of ferrite    Operating Temperature Range: -40°C to +85°C

### ■ Impedance-Frequency Characteristics (Typ.)



### ■ Inductance-Current Characteristics (Typ.)



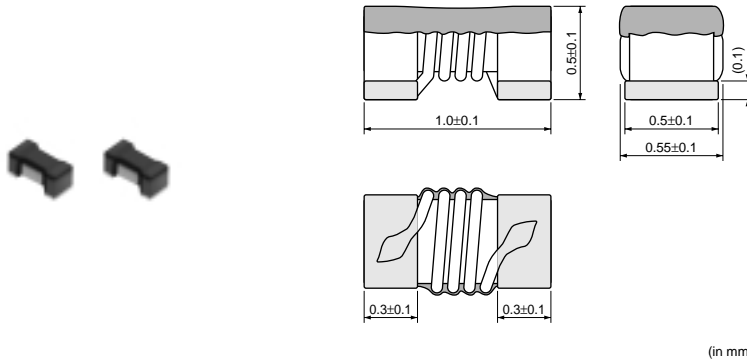
△Note • Please read rating and △CAUTION (for storage, operating, rating, soldering, mounting and handling) in this catalog to prevent smoking and/or burning, etc.  
 • This catalog has only typical specifications because there is no space for detailed specifications. Therefore, please review our product specifications or consult the approval sheet for product specifications before ordering.

# LQW15C Series (0402 Size)



## For RF Choke

### ■ Dimensions



### ■ Packaging

Code	Packaging	Minimum Quantity
D	180mm Paper Tape	10000
B	Bulk(Bag)	500

Refer to pages from p.80 to p.83 for mounting information.

### ■ Rated Value (□: packaging code)

Part Number	Inductance	Test Frequency	Rated Current	Max. of DC Resistance	Self Resonance Frequency (min.)	
LQW15CN18NJ00□	18nH±5%	100MHz	1400mA	0.046ohm	3000MHz	New Kit
LQW15CN33NJ00□	33nH±5%	100MHz	1300mA	0.065ohm	1800MHz	New Kit
LQW15CN48NJ00□	48nH±5%	100MHz	1100mA	0.078ohm	1400MHz	New Kit
LQW15CN70NJ00□	70nH±5%	100MHz	820mA	0.12ohm	1300MHz	New Kit
LQW15CN96NJ00□	96nH±5%	100MHz	730mA	0.16ohm	1100MHz	New Kit
LQW15CNR13J00□	130nH±5%	100MHz	640mA	0.23ohm	1000MHz	New Kit
LQW15CNR16J00□	160nH±5%	100MHz	480mA	0.33ohm	900MHz	New Kit
LQW15CNR20J00□	200nH±5%	100MHz	390mA	0.47ohm	800MHz	New Kit

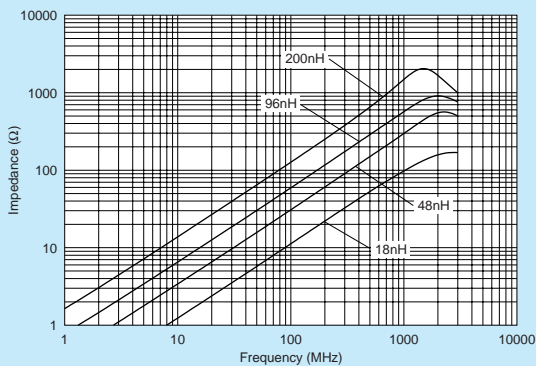
Class of Magnetic Shield: No magnetic shield

Operating Temperature Range:

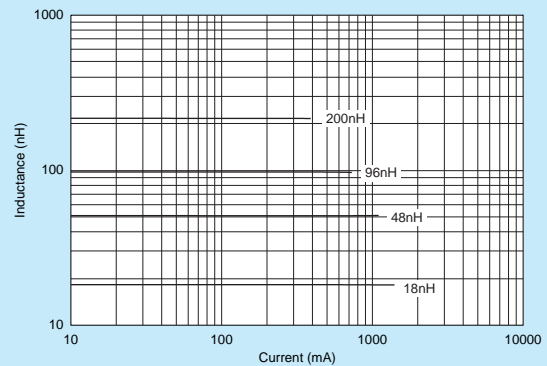
-55°C to +125°C (Ambient temperature: self-temperature rise is not included), -55°C to +135°C (Product temperature: self-temperature rise is included)

Only for reflow soldering.

### ■ Impedance-Frequency Characteristics (Typ.)



### ■ Inductance-Current Characteristics (Typ.)

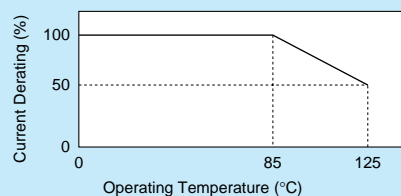


### ■ Notice (Rating)

In operating temperature exceeding +85°C, derating of current is necessary for LQW15C Series.

Please apply the derating curve shown in chart according to the operating temperature.

### Derating



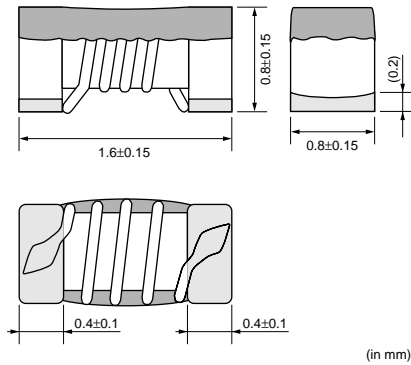
△Note • Please read rating and △CAUTION (for storage, operating, rating, soldering, mounting and handling) in this catalog to prevent smoking and/or burning, etc.  
• This catalog has only typical specifications because there is no space for detailed specifications. Therefore, please review our product specifications or consult the approval sheet for product specifications before ordering.



# LQW18C Series (0603 Size)

0603 size, for FM/TV Band Choke

■ Dimensions



(in mm)

■ Packaging

Code	Packaging	Minimum Quantity
D	180mm Paper Tape	4000
B	Bulk (Bag)	500

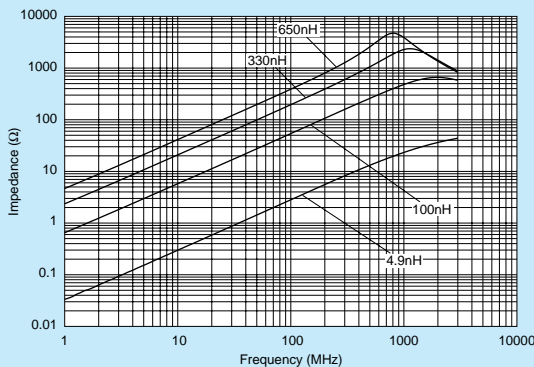
Refer to pages from p.80 to p.83 for mounting information.

■ Rated Value (□: packaging code)

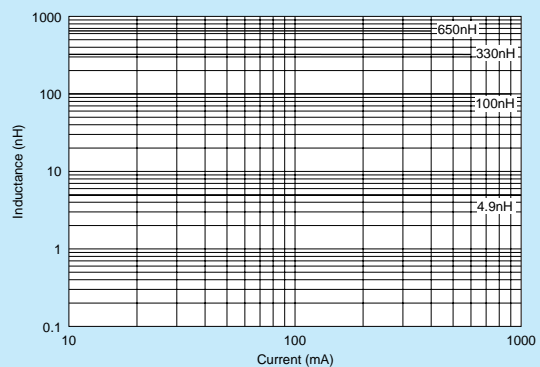
Part Number	Inductance	Test Frequency	Rated Current	Max. of DC Resistance	Self Resonance Frequency (min.)	
LQW18CN4N9D00□	4.9nH±0.5nH	10MHz	2600mA	0.015ohm	2300MHz	Kit
LQW18CN15NJ00□	15nH±5%	10MHz	2200mA	0.025ohm	2000MHz	Kit
LQW18CN33NJ00□	33nH±5%	10MHz	1700mA	0.035ohm	1800MHz	Kit
LQW18CN55NJ00□	55nH±5%	10MHz	1500mA	0.045ohm	1600MHz	Kit
LQW18CN85NJ00□	85nH±5%	10MHz	1400mA	0.060ohm	1380MHz	Kit
LQW18CNR10K00□	100nH±10%	10MHz	1000mA	0.10ohm	1260MHz	Kit
LQW18CNR12J00□	120nH±5%	10MHz	1100mA	0.085ohm	1200MHz	Kit
LQW18CNR16J00□	160nH±5%	10MHz	1000mA	0.10ohm	900MHz	Kit
LQW18CNR21J00□	210nH±5%	10MHz	800mA	0.15ohm	720MHz	Kit
LQW18CNR27J00□	270nH±5%	10MHz	750mA	0.16ohm	660MHz	Kit
LQW18CNR33J00□	330nH±5%	10MHz	630mA	0.25ohm	600MHz	Kit
LQW18CNR39J00□	390nH±5%	10MHz	620mA	0.28ohm	570MHz	Kit
LQW18CNR47J00□	470nH±5%	10MHz	500mA	0.45ohm	555MHz	Kit
LQW18CNR56J00□	560nH±5%	10MHz	450mA	0.48ohm	540MHz	Kit
LQW18CNR65J00□	650nH±5%	10MHz	430mA	0.52ohm	510MHz	Kit

Class of Magnetic Shield: No magnetic shield    Operating Temperature Range: -40°C to +85°C  
Only for reflow soldering.

■ Impedance-Frequency Characteristics (Typ.)



■ Inductance-Current Characteristics (Typ.)



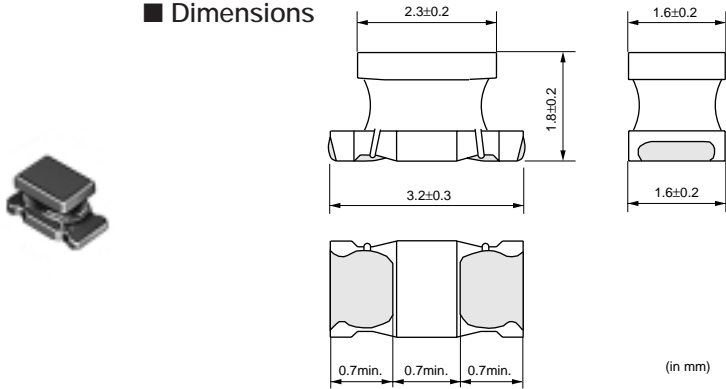
△Note • Please read rating and △CAUTION (for storage, operating, rating, soldering, mounting and handling) in this catalog to prevent smoking and/or burning, etc.  
• This catalog has only typical specifications because there is no space for detailed specifications. Therefore, please review our product specifications or consult the approval sheet for product specifications before ordering.

# LQH31C Series (1206 Size)



## 1206 Size

### ■ Dimensions



### ■ Packaging

Code	Packaging	Minimum Quantity
L	180mm Embossed Tape	2000
K	330mm Embossed Tape	7500

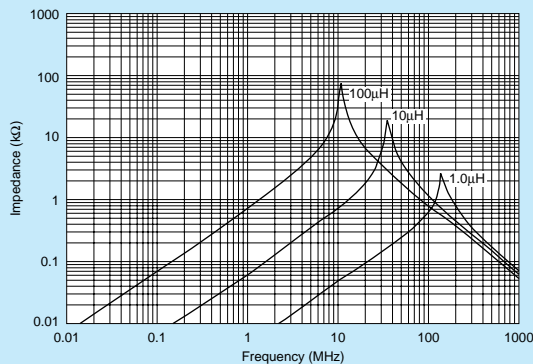
Refer to pages from p.80 to p.83 for mounting information.

### ■ Rated Value (□: packaging code)

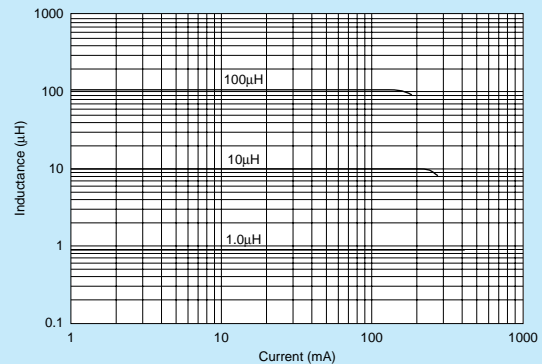
Part Number	Inductance	Test Frequency	Rated Current	DC Resistance	Self Resonance Frequency (min.)
LQH31CNR12M03□	0.12μH±20%	1MHz	970mA	0.08ohm±40%	250MHz
LQH31CNR22M03□	0.22μH±20%	1MHz	850mA	0.1ohm±40%	250MHz
LQH31CNR47M03□	0.47μH±20%	1MHz	700mA	0.15ohm±40%	180MHz
LQH31CN1R0M03□	1.0μH±20%	1MHz	510mA	0.28ohm±30%	100MHz
LQH31CN2R2M03□	2.2μH±20%	1MHz	430mA	0.41ohm±30%	50MHz
LQH31CN4R7M03□	4.7μH±20%	1MHz	340mA	0.65ohm±30%	31MHz
LQH31CN100K03□	10μH±10%	1MHz	230mA	1.3ohm±30%	20MHz
LQH31CN220K03□	22μH±10%	1MHz	160mA	3.0ohm±30%	14MHz
LQH31CN470K03□	47μH±10%	1MHz	100mA	8.0ohm±30%	10MHz
LQH31CN101K03□	100μH±10%	1MHz	80mA	12ohm±30%	7MHz

Class of Magnetic Shield: No magnetic shield    Operating Temperature Range: -40°C to +85°C

### ■ Impedance-Frequency Characteristics (Typ.)



### ■ Inductance-Current Characteristics (Typ.)

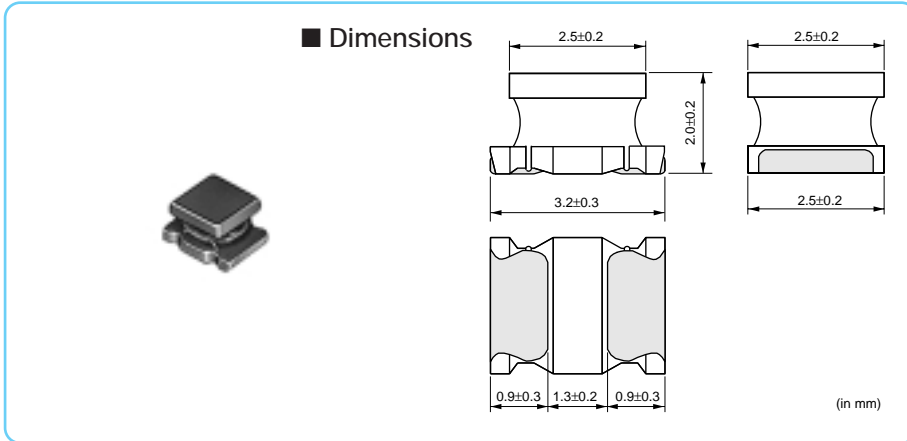


△Note • Please read rating and △CAUTION (for storage, operating, rating, soldering, mounting and handling) in this catalog to prevent smoking and/or burning, etc.  
 • This catalog has only typical specifications because there is no space for detailed specifications. Therefore, please review our product specifications or consult the approval sheet for product specifications before ordering.

# LQH32C-23/LQH32C-33 Series (1210 Size)



## 1210 Size



## ■ Packaging

Code	Packaging	Minimum Quantity
L	180mm Embossed Tape	2000
K	330mm Embossed Tape	7500

Refer to pages from p.80 to p.83 for mounting information.

## ■ Rated Value (□: packaging code)

Part Number	Inductance	Test Frequency	Rated Current	DC Resistance	Self Resonance Frequency (min.)	
LQH32CN1R0M23□	1.0μH±20%	1MHz	800mA	0.09ohm±30%	96MHz	Kit
LQH32CN2R2M23□	2.2μH±20%	1MHz	600mA	0.13ohm±30%	64MHz	Kit
LQH32CN4R7M23□	4.7μH±20%	1MHz	450mA	0.2ohm±30%	43MHz	Kit
LQH32CN100K23□	10μH±10%	1MHz	300mA	0.44ohm±30%	26MHz	Kit
LQH32CN220K23□	22μH±10%	1MHz	250mA	0.71ohm±30%	19MHz	Kit
LQH32CN470K23□	47μH±10%	1MHz	170mA	1.3ohm±30%	15MHz	Kit
LQH32CN101K23□	100μH±10%	1MHz	100mA	3.5ohm±30%	10MHz	Kit
LQH32CN221K23□	220μH±10%	1MHz	70mA	8.4ohm±30%	6.8MHz	Kit
LQH32CN331K23□	330μH±10%	1MHz	60mA	10ohm±30%	5.6MHz	Kit
LQH32CN391K23□	390μH±10%	1MHz	60mA	17ohm±30%	5MHz	Kit
LQH32CN471K23□	470μH±10%	1kHz	60mA	19ohm±30%	5MHz	Kit
LQH32CN561K23□	560μH±10%	1kHz	60mA	22ohm±30%	5MHz	Kit
LQH32CNR15M33□	0.15μH±20%	1MHz	1450mA	0.028ohm±30%	400MHz	Kit
LQH32CNR27M33□	0.27μH±20%	1MHz	1250mA	0.034ohm±30%	250MHz	Kit
LQH32CNR47M33□	0.47μH±20%	1MHz	1100mA	0.042ohm±30%	150MHz	Kit
LQH32CN1R0M33□	1.0μH±20%	1MHz	1000mA	0.06ohm±30%	100MHz	Kit
LQH32CN2R2M33□	2.2μH±20%	1MHz	790mA	0.097ohm±30%	64MHz	Kit
LQH32CN4R7M33□	4.7μH±20%	1MHz	650mA	0.15ohm±30%	43MHz	Kit
LQH32CN100K33□	10μH±10%	1MHz	450mA	0.3ohm±30%	26MHz	Kit

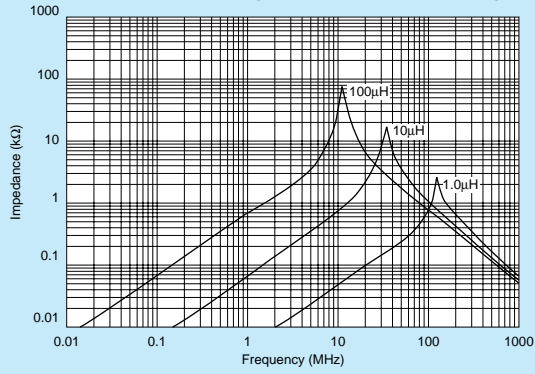
Class of Magnetic Shield: No magnetic shield    Operating Temperature Range: -40°C to +85°C

Continued on the following page.

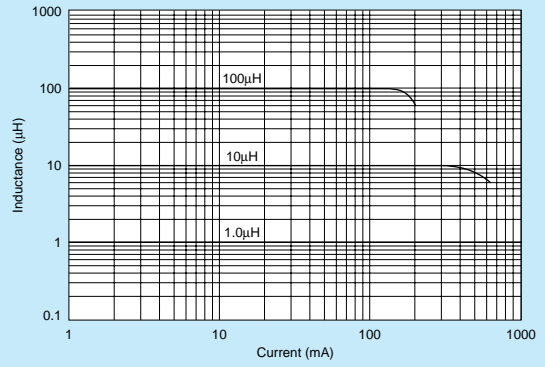
△Note • Please read rating and △CAUTION (for storage, operating, rating, soldering, mounting and handling) in this catalog to prevent smoking and/or burning, etc.  
 • This catalog has only typical specifications because there is no space for detailed specifications. Therefore, please review our product specifications or consult the approval sheet for product specifications before ordering.



■ Impedance-Frequency Characteristics (Typ.)



■ Inductance-Current Characteristics (Typ.)



⚠Note • Please read rating and ⚠CAUTION (for storage, operating, rating, soldering, mounting and handling) in this catalog to prevent smoking and/or burning, etc.  
• This catalog has only typical specifications because there is no space for detailed specifications. Therefore, please review our product specifications or consult the approval sheet for product specifications before ordering.



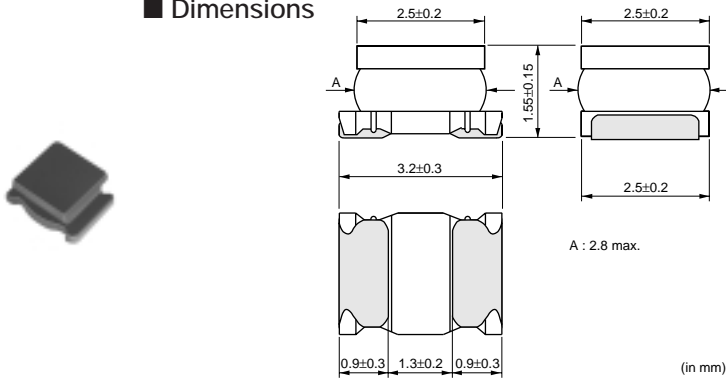
# LQH32C-53 Series (1210 Size)

LQH32C\_53



1210 Size, 1.7mm max. Thickness

### ■ Dimensions



### ■ Packaging

Code	Packaging	Minimum Quantity
L	180mm Embossed Tape	2000
K	330mm Embossed Tape	7500

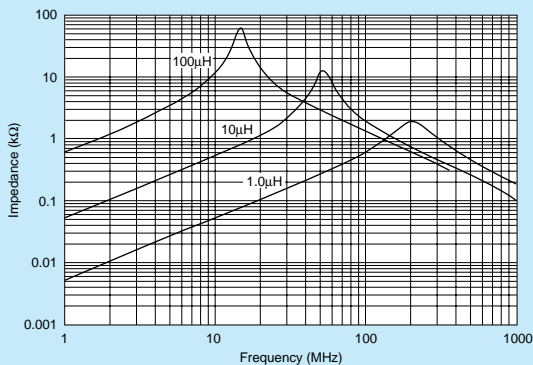
Refer to pages from p.80 to p.83 for mounting information.

### ■ Rated Value (□: packaging code)

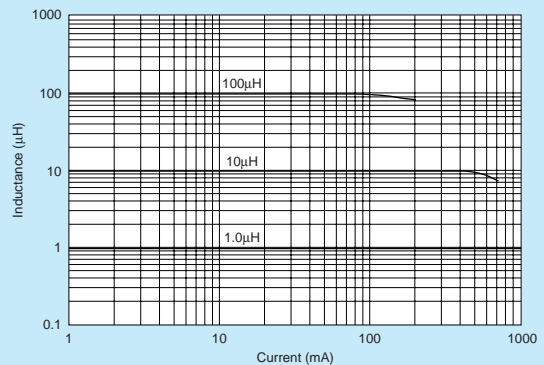
Part Number	Inductance	Test Frequency	Rated Current	DC Resistance	Self Resonance Frequency (min.)	
LQH32CN1R0M53□	1.0μH±20%	1MHz	1000mA	0.060ohm±30%	100MHz	Kit
LQH32CN2R2M53□	2.2μH±20%	1MHz	790mA	0.097ohm±30%	64MHz	Kit
LQH32CN3R3M53□	3.3μH±20%	1MHz	710mA	0.12ohm±30%	50MHz	
LQH32CN4R7M53□	4.7μH±20%	1MHz	650mA	0.15ohm±30%	43MHz	Kit
LQH32CN6R8M53□	6.8μH±20%	1MHz	540mA	0.25ohm±30%	32MHz	
LQH32CN100K53□	10μH±10%	1MHz	450mA	0.30ohm±30%	26MHz	Kit
LQH32CN150K53□	15μH±10%	1MHz	300mA	0.58ohm±30%	26MHz	Kit
LQH32CN220K53□	22μH±10%	1MHz	250mA	0.71ohm±30%	19MHz	Kit
LQH32CN330K53□	33μH±10%	1MHz	200mA	1.1ohm±30%	17MHz	Kit
LQH32CN470K53□	47μH±10%	1MHz	170mA	1.3ohm±30%	15MHz	Kit
LQH32CN680K53□	68μH±10%	1MHz	130mA	2.2ohm±30%	12MHz	Kit
LQH32CN101K53□	100μH±10%	1MHz	100mA	3.5ohm±30%	10MHz	Kit

Class of Magnetic Shield: No magnetic shield    Operating Temperature Range: -40°C to +85°C

### ■ Impedance-Frequency Characteristics (Typ.)



### ■ Inductance-Current Characteristics (Typ.)



△Note • Please read rating and △CAUTION (for storage, operating, rating, soldering, mounting and handling) in this catalog to prevent smoking and/or burning, etc.  
 • This catalog has only typical specifications because there is no space for detailed specifications. Therefore, please review our product specifications or consult the approval sheet for product specifications before ordering.

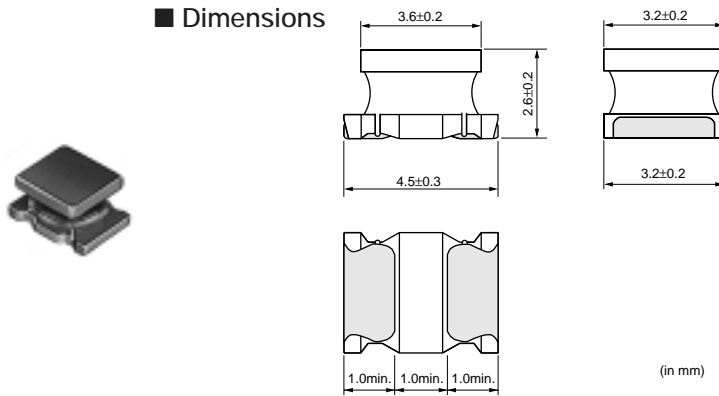
# LQH43C-03 Series (1812 Size)

LQH43C\_03



1812 Size

■ Dimensions



■ Packaging

Code	Packaging	Minimum Quantity
L	180mm Embossed Tape	500

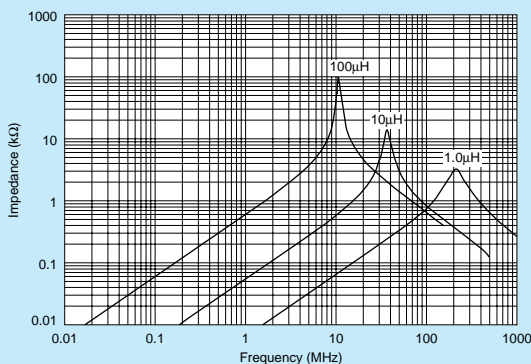
Refer to pages from p.80 to p.83 for mounting information.

■ Rated Value (□: packaging code)

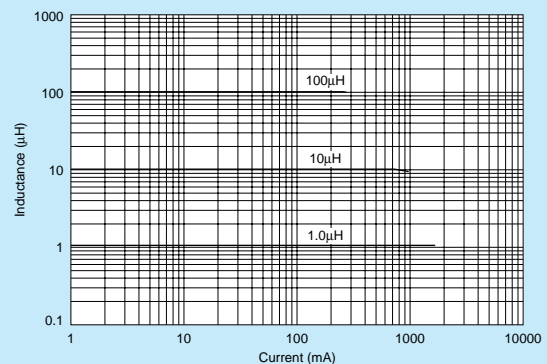
Part Number	Inductance	Test Frequency	Rated Current	Max. of DC Resistance	Self Resonance Frequency (min.)	
LQH43CN1R0M03□	1.0μH±20%	1MHz	1080mA	0.08ohm	100MHz	Kit
LQH43CN1R5M03□	1.5μH±20%	1MHz	1000mA	0.09ohm	85MHz	Kit
LQH43CN2R2M03□	2.2μH±20%	1MHz	900mA	0.11ohm	60MHz	Kit
LQH43CN3R3M03□	3.3μH±20%	1MHz	800mA	0.13ohm	47MHz	Kit
LQH43CN4R7M03□	4.7μH±20%	1MHz	750mA	0.15ohm	35MHz	Kit
LQH43CN6R8M03□	6.8μH±20%	1MHz	720mA	0.20ohm	30MHz	Kit
LQH43CN100K03□	10μH±10%	1MHz	650mA	0.24ohm	23MHz	Kit
LQH43CN150K03□	15μH±10%	1MHz	570mA	0.32ohm	20MHz	Kit
LQH43CN220K03□	22μH±10%	1MHz	420mA	0.6ohm	15MHz	Kit
LQH43CN330K03□	33μH±10%	1MHz	310mA	1.0ohm	12MHz	Kit
LQH43CN470K03□	47μH±10%	1MHz	280mA	1.1ohm	10MHz	Kit
LQH43CN680K03□	68μH±10%	1MHz	220mA	1.7ohm	8.4MHz	Kit
LQH43CN101K03□	100μH±10%	1MHz	190mA	2.2ohm	6.8MHz	Kit
LQH43CN151K03□	150μH±10%	1MHz	130mA	3.5ohm	5.5MHz	Kit
LQH43CN221K03□	220μH±10%	1MHz	110mA	4.0ohm	4.5MHz	Kit
LQH43CN331K03□	330μH±10%	1MHz	100mA	6.8ohm	3.6MHz	Kit
LQH43CN471K03□	470μH±10%	1kHz	90mA	8.5ohm	3.0MHz	Kit

Class of Magnetic Shield: No magnetic shield  
 Operating Temperature Range (Ambient temperature: self-temperature rise is not included): -40°C to +85°C

■ Impedance-Frequency Characteristics (Typ.)



■ Inductance-Current Characteristics (Typ.)



△Note • Please read rating and △CAUTION (for storage, operating, rating, soldering, mounting and handling) in this catalog to prevent smoking and/or burning, etc.  
 • This catalog has only typical specifications because there is no space for detailed specifications. Therefore, please review our product specifications or consult the approval sheet for product specifications before ordering.

Inductor for Power Lines (Power Inductor)  
 Wire Wound Magnetic Type for Voltage Conversion

Inductor for Low Frequency Circuits

RF Inductor

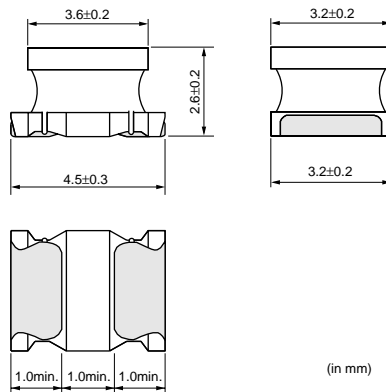
# LQH43C-33 Series (1812 Size)

LQH43C\_33



## Low DC Resistance Type

### ■ Dimensions



(in mm)

### ■ Packaging

Code	Packaging	Minimum Quantity
L	180mm Embossed Tape	500

Refer to pages from p.80 to p.83 for mounting information.

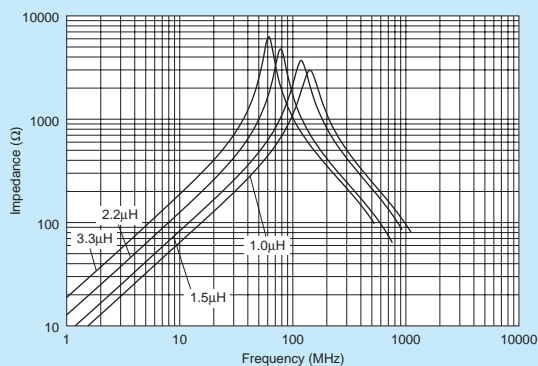
### ■ Rated Value (□: packaging code)

Part Number	Inductance	Test Frequency	Rated Current	DC Resistance	Self Resonance Frequency (min.)	
LQH43CNR56M33□	0.56μH±20%	1MHz	2950mA	0.023ohm±30%	160MHz	New Kit
LQH43CNR82M33□	0.82μH±20%	1MHz	2800mA	0.027ohm±30%	130MHz	New Kit
LQH43CN1R0M33□	1.0μH±20%	1MHz	2600mA	0.032ohm±30%	110MHz	New Kit
LQH43CN1R5M33□	1.5μH±20%	1MHz	2450mA	0.036ohm±30%	80MHz	New Kit
LQH43CN1R8M33□	1.8μH±20%	1MHz	2300mA	0.042ohm±30%	70MHz	New Kit
LQH43CN2R2M33□	2.2μH±20%	1MHz	2100mA	0.047ohm±30%	60MHz	New Kit
LQH43CN2R7M33□	2.7μH±20%	1MHz	1800mA	0.053ohm±30%	50MHz	New Kit
LQH43CN3R3M33□	3.3μH±20%	1MHz	1650mA	0.076ohm±30%	47MHz	New Kit
LQH43CN3R9M33□	3.9μH±20%	1MHz	1600mA	0.082ohm±30%	40MHz	New Kit

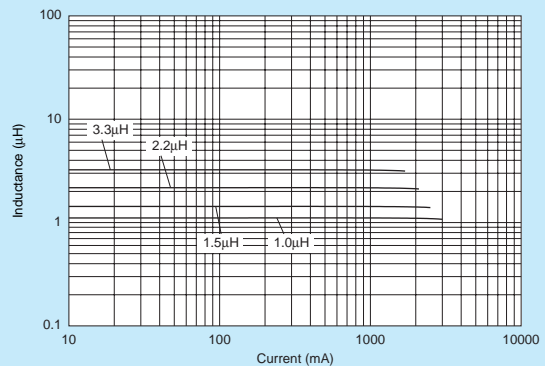
Class of Magnetic Shield: No magnetic shield

Operating Temperature Range (Ambient temperature: self-temperature rise is not included): -40°C to +85°C

### ■ Impedance-Frequency Characteristics (Typ.)



### ■ Inductance-Current Characteristics (Typ.)



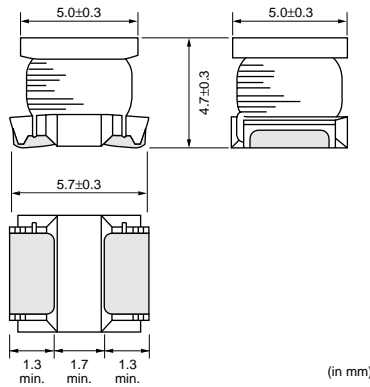
△Note • Please read rating and △CAUTION (for storage, operating, rating, soldering, mounting and handling) in this catalog to prevent smoking and/or burning, etc.  
 • This catalog has only typical specifications because there is no space for detailed specifications. Therefore, please review our product specifications or consult the approval sheet for product specifications before ordering.



# LQH55D Series (2220 Size)

## 2220 Size, Large Current

### ■ Dimensions



(in mm)

### ■ Packaging

Code	Packaging	Minimum Quantity
L	180mm Embossed Tape	350
K	330mm Embossed Tape	1500

Refer to pages from p.80 to p.83 for mounting information.

### ■ Rated Value (□: packaging code)

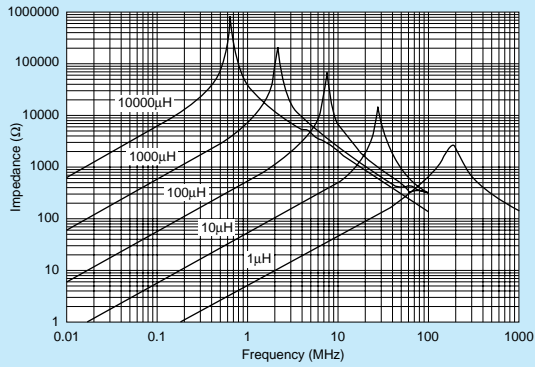
Part Number	Inductance	Test Frequency	Rated Current	DC Resistance	Self Resonance Frequency (min.)
LQH55DNR12M03□	0.12μH±20%	1MHz	6000mA	0.007ohm±40%	450MHz
LQH55DNR27M03□	0.27μH±20%	1MHz	5300mA	0.010ohm±40%	300MHz
LQH55DNR47M03□	0.47μH±20%	1MHz	4800mA	0.013ohm±40%	200MHz
LQH55DN1R0M03□	1.0μH±20%	1MHz	4000mA	0.019ohm±40%	150MHz
LQH55DN1R5M03□	1.5μH±20%	1MHz	3700mA	0.022ohm±40%	110MHz
LQH55DN2R2M03□	2.2μH±20%	1MHz	3200mA	0.029ohm±40%	80MHz
LQH55DN3R3M03□	3.3μH±20%	1MHz	2900mA	0.036ohm±40%	40MHz
LQH55DN4R7M03□	4.7μH±20%	1MHz	2700mA	0.041ohm±40%	30MHz
LQH55DN6R8M03□	6.8μH±20%	1MHz	2000mA	0.074ohm±40%	25MHz
LQH55DN100M03□	10μH±20%	1MHz	1700mA	0.093ohm±40%	20MHz
LQH55DN150M03□	15μH±20%	1MHz	1400mA	0.15ohm±40%	17MHz
LQH55DN220M03□	22μH±20%	1MHz	1200mA	0.19ohm±40%	15MHz
LQH55DN330M03□	33μH±20%	1MHz	900mA	0.32ohm±40%	12MHz
LQH55DN470M03□	47μH±20%	1MHz	800mA	0.40ohm±40%	10MHz
LQH55DN680M03□	68μH±20%	1MHz	640mA	0.67ohm±40%	7.6MHz
LQH55DN101M03□	100μH±20%	100kHz	560mA	0.86ohm±40%	6.5MHz
LQH55DN151M03□	150μH±20%	100kHz	420mA	1.9ohm±40%	5.0MHz
LQH55DN221M03□	220μH±20%	100kHz	320mA	2.4ohm±40%	4.0MHz
LQH55DN331M03□	330μH±20%	100kHz	270mA	4.4ohm±40%	3.1MHz
LQH55DN471M03□	470μH±20%	100kHz	240mA	5.4ohm±40%	2.4MHz
LQH55DN681M03□	680μH±20%	100kHz	190mA	8.1ohm±40%	1.9MHz
LQH55DN102M03□	1000μH±20%	10kHz	150mA	10.3ohm±40%	1.7MHz
LQH55DN222M03□	2200μH±20%	10kHz	100mA	21.5ohm±40%	1.2MHz
LQH55DN472M03□	4700μH±20%	10kHz	70mA	43.6ohm±40%	0.8MHz
LQH55DN103M03□	10000μH±20%	10kHz	50mA	100ohm±40%	0.5MHz

Class of Magnetic Shield: No magnetic shield    Operating Temperature Range: -40°C to +80°C  
Only for reflow soldering.

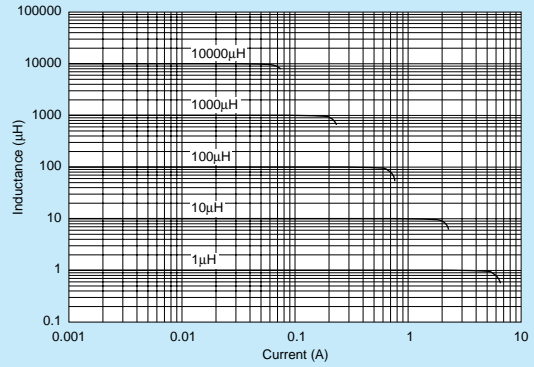
Continued on the following page.

△Note • Please read rating and △CAUTION (for storage, operating, rating, soldering, mounting and handling) in this catalog to prevent smoking and/or burning, etc.  
• This catalog has only typical specifications because there is no space for detailed specifications. Therefore, please review our product specifications or consult the approval sheet for product specifications before ordering.

■ Impedance-Frequency Characteristics (Typ.)



■ Inductance-Current Characteristics (Typ.)



Wire Wound Magnetic Type for Choke  
Inductor for Power Lines (Power Inductor)

Inductor for Low Frequency Circuits

RF Inductor

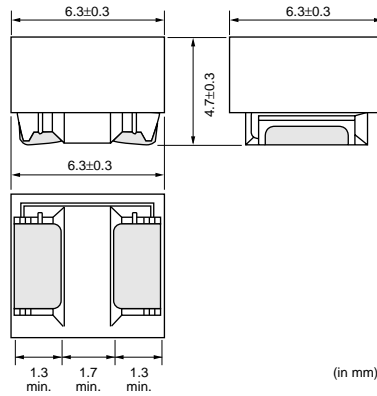
⚠Note • Please read rating and ⚠CAUTION (for storage, operating, rating, soldering, mounting and handling) in this catalog to prevent smoking and/or burning, etc.  
• This catalog has only typical specifications because there is no space for detailed specifications. Therefore, please review our product specifications or consult the approval sheet for product specifications before ordering.

# LQH66S Series (2525 Size)



## 2525 Size, Closed Magnetic Circuit

### ■ Dimensions



(in mm)

### ■ Packaging

Code	Packaging	Minimum Quantity
L	180mm Embossed Tape	350
K	330mm Embossed Tape	1500

Refer to pages from p.80 to p.83 for mounting information.

### ■ Rated Value (□: packaging code)

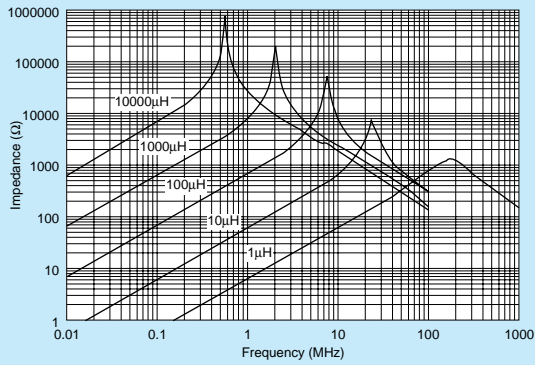
Part Number	Inductance	Test Frequency	Rated Current	DC Resistance	Self Resonance Frequency (min.)
LQH66SNR27M03□	0.27μH±20%	1MHz	6000mA	0.007ohm±40%	300MHz
LQH66SNR68M03□	0.68μH±20%	1MHz	5300mA	0.010ohm±40%	180MHz
LQH66SN1R0M03□	1.0μH±20%	1MHz	4700mA	0.013ohm±40%	150MHz
LQH66SN1R5M03□	1.5μH±20%	1MHz	3800mA	0.016ohm±40%	110MHz
LQH66SN2R2M03□	2.2μH±20%	1MHz	3300mA	0.019ohm±40%	80MHz
LQH66SN3R3M03□	3.3μH±20%	1MHz	2600mA	0.022ohm±40%	40MHz
LQH66SN4R7M03□	4.7μH±20%	1MHz	2200mA	0.025ohm±40%	30MHz
LQH66SN6R8M03□	6.8μH±20%	1MHz	1800mA	0.029ohm±40%	25MHz
LQH66SN100M03□	10μH±20%	1MHz	1600mA	0.036ohm±40%	20MHz
LQH66SN150M03□	15μH±20%	1MHz	1300mA	0.069ohm±40%	17MHz
LQH66SN220M03□	22μH±20%	1MHz	1100mA	0.087ohm±40%	15MHz
LQH66SN330M03□	33μH±20%	1MHz	860mA	0.14ohm±40%	12MHz
LQH66SN470M03□	47μH±20%	1MHz	760mA	0.17ohm±40%	10MHz
LQH66SN680M03□	68μH±20%	1MHz	600mA	0.29ohm±40%	7.6MHz
LQH66SN101M03□	100μH±20%	100kHz	520mA	0.36ohm±40%	6.5MHz
LQH66SN151M03□	150μH±20%	100kHz	420mA	0.63ohm±40%	5.0MHz
LQH66SN221M03□	220μH±20%	100kHz	350mA	0.79ohm±40%	4.0MHz
LQH66SN331M03□	330μH±20%	100kHz	280mA	1.8ohm±40%	3.2MHz
LQH66SN471M03□	470μH±20%	100kHz	240mA	2.2ohm±40%	2.5MHz
LQH66SN681M03□	680μH±20%	100kHz	200mA	3.9ohm±40%	2.0MHz
LQH66SN102M03□	1000μH±20%	10kHz	160mA	4.9ohm±40%	1.7MHz
LQH66SN222M03□	2200μH±20%	10kHz	100mA	9.4ohm±40%	1.2MHz
LQH66SN472M03□	4700μH±20%	10kHz	70mA	19.5ohm±40%	0.8MHz
LQH66SN103M03□	10000μH±20%	10kHz	50mA	39.7ohm±40%	0.5MHz

Class of Magnetic Shield: Magnetic shield of ferrite    Operating Temperature Range: -40°C to +80°C  
Only for reflow soldering.

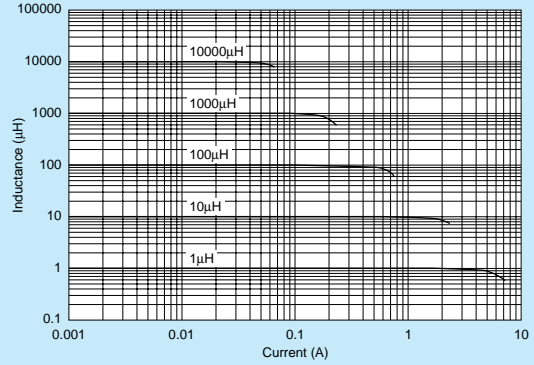
Continued on the following page.

△Note • Please read rating and △CAUTION (for storage, operating, rating, soldering, mounting and handling) in this catalog to prevent smoking and/or burning, etc.  
• This catalog has only typical specifications because there is no space for detailed specifications. Therefore, please review our product specifications or consult the approval sheet for product specifications before ordering.

■ Impedance-Frequency Characteristics (Typ.)



■ Inductance-Current Characteristics (Typ.)



Wire Wound Magnetic Type for Choke  
Inductor for Power Lines (Power Inductor)

Inductor for Low Frequency Circuits

RF Inductor

⚠Note • Please read rating and ⚠CAUTION (for storage, operating, rating, soldering, mounting and handling) in this catalog to prevent smoking and/or burning, etc.  
• This catalog has only typical specifications because there is no space for detailed specifications. Therefore, please review our product specifications or consult the approval sheet for product specifications before ordering.



## ⚠ Caution

### ● Rating

Do not use products beyond the rated current as this may create excessive heat.

## Notice

### ● Storage and Operating Condition

#### <Operating Environment>

Do not use products in chemical atmosphere such as chlorine gas, acid or sulfide gas.

#### <Storage Requirements>

##### 1. Storage Period

LQM series should be used within 6 months; the other products should be used within 12 months. Check solderability if this period is exceeded.

##### 2. Storage Conditions

(1) Store products in a warehouse in compliance with the following conditions:

Temperature: -10 to +40 degrees C.

Humidity: 15 to 85% (relative humidity)

Do not subject products to rapid changes in temperature and humidity.

Do not store them in chemical atmosphere such as one containing sulfuric acid gas or alkaline gas.

This will prevent electrode oxidation which causes poor solderability and possible corrosion of inductors.

(2) Do not store products in bulk packaging to prevent collision among inductors which causes core chipping and wire breakage.

(3) Store products on pallets to protect from humidity, dust, etc.

(4) Avoid heat shock, vibration, direct sunlight, etc.

### ● Handling

This item is designed to have sufficient strength, but handle with care to avoid chipping or breaking its ceramic structure.

#### LQW\_C series

- To prevent breaking the wire, avoid touching with sharp material, such as tweezers or other material such as bristles of cleaning brush, to the wire wound portion.
- To prevent breaking the core, avoid applying excessive mechanical shock to products mounted on the board.
- In some mounting machines, when picking up components, support pin pushes up the components from the bottom of base tape. In this case, please remove the support pin. The support pin may damage the components and break wire.
- In rare case, the laser recognition can not recognize this component. Please contact us when you use laser recognition. (There is no problem with the permeation and reflection type.)

- The product temperature rises about 40°C maximum when the permissible current is applied to LQW15C/LQW18C. Please care heatproof temperatures of the substrate and parts in the surrounding.

#### LQH\_C/D/H/M/N/P series

- To prevent breaking the wire, avoid touching with sharp material, such as tweezers or other material such as bristles of cleaning brush, to the wire wound portion of this product.
- To prevent breaking the core, avoid applying excessive mechanical shock to products mounted on the board.
- Temperature may rise up to max. 40 °C when applying the rated current to Inductor for Power Lines. Be careful of the temperature rating of the circuit board and components around the chip inductor.

#### LQM series

- There is the possibility that magnetism may change the inductance value. Do not use a magnet or tweezers with magnetism when handling chip inductors. (The tip of the tweezers should be molded with resin or pottery.)
- When the excessive current over rated current is applied, it may cause the inductance value to change due to magnetism.

#### <Handling>

1. Avoid applying excessive stress to products to prevent damage.
2. Do not touch wire wound with sharp objects such as tweezers to prevent wire breakage.
3. Do not apply excessive force to products mounted on boards to prevent core breakage.

#### <Transportation>

Do not apply excessive vibration or mechanical shock to products.

#### <Resin Coating>

When coating products with resin, the relatively high resin curing stress may change inductance values. For exterior coating, select resin carefully so that electrical and mechanical performance of the product is not affected. Prior to use, please evaluate reliability with the product mounted in your application set.

#### (LQW, LQH series)

An open circuit issue may occur by mechanical stress caused by the resin, amount/cured shape of resin, or operating condition etc. Some resins containing impurities or chloride may possibly generate chlorine by hydrolysis under some operating condition may cause corrosion of wire of inductor, leading to open circuit.

Continued on the following page. ↗

⚠Note • Please read rating and ⚠CAUTION (for storage, operating, rating, soldering, mounting and handling) in this catalog to prevent smoking and/or burning, etc.  
• This catalog has only typical specifications because there is no space for detailed specifications. Therefore, please review our product specifications or consult the approval sheet for product specifications before ordering.



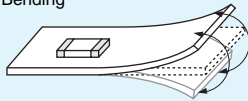
<Rated Current>

- Based on Inductance Change (LQH2HP\_G0 Series)  
Inductance will be within -30% of minimum rated Inductance value.  
(Other LQH\_P Series except for LQH2HP\_G0 Series)  
Inductance will be within ±30% of nominal Inductance value.
- Based on Temperature Rise  
For LQH2MC series-LQH\_P series rated current is set to keep temperature rise caused by self heating 40°C or less.  
For other Inductor for Power Lines please refer to individual specifications.

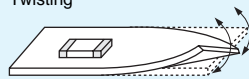
<Handling of a Substrate>

After mounting products on a substrate, do not apply any stress to the product caused by bending or twisting to the substrate when cropping the substrate, inserting and removing a connector from the substrate or tightening screw to the substrate.  
Excessive mechanical stress may cause cracking in the Product.

Bending



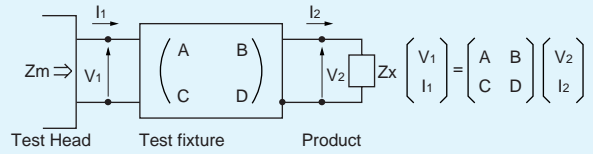
Twisting



● Measuring Method

Measuring Method of Inductance/Q

1. Residual elements and stray elements of test fixture can be described by F-parameter as shown in the following:



2. The impedance of chip inductor (chip coil) Zx and measured value Zm can be described by input/output current/voltage.

$$Z_m = \frac{V_1}{I_1}, \quad Z_x = \frac{V_2}{I_2}$$

3. Thus, the relation between Zx and Zm is shown in the following:

$$Z_x = \alpha \frac{Z_m - \beta}{1 - Z_m \Gamma} \quad \text{where, } \alpha = D / A = 1$$

$$\beta = B / D = Z_{sm} - (1 - Y_{om} Z_{sm}) Z_{ss}$$

$$\Gamma = C / A = Y_{om}$$

( Zsm: measured impedance of short chip  
Zss: residual impedance of short chip\*  
Yom: measured admittance when opening the fixture )

\*Residual impedance of short chip

Residual Impedance	Series
0.556nH	<b>LQW15C</b>
0.771nH	<b>LQW18C</b>

4. Lx and Qx should be calculated with the following equation.

$$L_x = \frac{\text{Im}(Z_x)}{2\pi f}, \quad Q_x = \frac{\text{Im}(Z_x)}{\text{Re}(Z_x)}$$

Lx: Inductance of chip inductor (chip coil)  
Qx: Q of chip inductor (chip coil)  
f: Measuring frequency

⚠Note • Please read rating and ⚠CAUTION (for storage, operating, rating, soldering, mounting and handling) in this catalog to prevent smoking and/or burning, etc.  
• This catalog has only typical specifications because there is no space for detailed specifications. Therefore, please review our product specifications or consult the approval sheet for product specifications before ordering.

1. Standard Land Pattern Dimensions

A high Q value is achieved when the PCB electrode land pattern is designed so that it does not project beyond the chip inductor (chip coil) electrode.



Series	Standard Land Dimensions																																																													
LQM18F/18P LQM21D/21F/21P LQM2MP LQM2HP LQM31F LQM31P LQM32P LQH2MC LQH31C LQH32P LQH44P LQH5BP LQH55D/66S LQW15C LQW18C																																																														
	<table border="1"> <thead> <tr> <th>Part Number</th> <th>a</th> <th>b</th> <th>c</th> </tr> </thead> <tbody> <tr> <td rowspan="2">LQM18F/18P</td> <td rowspan="2">0.7</td> <td>2.2-2.6</td> <td rowspan="2">0.7</td> </tr> <tr> <td>1.8-2.0</td> </tr> <tr> <td>LQM21D/21F/21P</td> <td>1.0</td> <td>3.0-4.0</td> <td>1.2</td> </tr> <tr> <td>LQM2MP</td> <td>1.8</td> <td>2.4</td> <td>0.8</td> </tr> <tr> <td>LQM2HP</td> <td>1.5</td> <td>3.0</td> <td>1.6</td> </tr> <tr> <td>LQM31F/31P</td> <td>1.2</td> <td>4.2-5.2</td> <td>2.0</td> </tr> <tr> <td>LQM32P</td> <td>2.7</td> <td>3.6</td> <td>1.9</td> </tr> <tr> <td>LQH2MC</td> <td>1.0</td> <td>2.6</td> <td>0.8</td> </tr> <tr> <td>LQH31C</td> <td>1.5</td> <td>4.5</td> <td>1.0</td> </tr> <tr> <td>LQH32P</td> <td>2.0</td> <td>3.8</td> <td>1.3</td> </tr> <tr> <td>LQH44P</td> <td>3.0</td> <td>4.4</td> <td>1.3</td> </tr> <tr> <td>LQH5BP</td> <td>4.1</td> <td>5.5</td> <td>1.8</td> </tr> <tr> <td>LQH55D/66S</td> <td>3.5</td> <td>8.0</td> <td>2.0</td> </tr> <tr> <td>LQW15C</td> <td>0.6</td> <td>1.4</td> <td>0.4</td> </tr> <tr> <td>LQW18C</td> <td>1.0</td> <td>2.2</td> <td>0.7</td> </tr> </tbody> </table>	Part Number	a	b	c	LQM18F/18P	0.7	2.2-2.6	0.7	1.8-2.0	LQM21D/21F/21P	1.0	3.0-4.0	1.2	LQM2MP	1.8	2.4	0.8	LQM2HP	1.5	3.0	1.6	LQM31F/31P	1.2	4.2-5.2	2.0	LQM32P	2.7	3.6	1.9	LQH2MC	1.0	2.6	0.8	LQH31C	1.5	4.5	1.0	LQH32P	2.0	3.8	1.3	LQH44P	3.0	4.4	1.3	LQH5BP	4.1	5.5	1.8	LQH55D/66S	3.5	8.0	2.0	LQW15C	0.6	1.4	0.4	LQW18C	1.0	2.2	0.7
	Part Number	a	b	c																																																										
	LQM18F/18P	0.7	2.2-2.6	0.7																																																										
			1.8-2.0																																																											
	LQM21D/21F/21P	1.0	3.0-4.0	1.2																																																										
	LQM2MP	1.8	2.4	0.8																																																										
	LQM2HP	1.5	3.0	1.6																																																										
	LQM31F/31P	1.2	4.2-5.2	2.0																																																										
	LQM32P	2.7	3.6	1.9																																																										
	LQH2MC	1.0	2.6	0.8																																																										
	LQH31C	1.5	4.5	1.0																																																										
	LQH32P	2.0	3.8	1.3																																																										
	LQH44P	3.0	4.4	1.3																																																										
	LQH5BP	4.1	5.5	1.8																																																										
LQH55D/66S	3.5	8.0	2.0																																																											
LQW15C	0.6	1.4	0.4																																																											
LQW18C	1.0	2.2	0.7																																																											
LQH2HP																																																														
LQH32C																																																														
LQH3NP																																																														
LQH43C LQH43P																																																														
LQH55P																																																														

Attention should be paid to potential magnetic coupling effects when using the inductor (coil) as a resonator.

Continued on the following page.

⚠Note • Please read rating and ⚠CAUTION (for storage, operating, rating, soldering, mounting and handling) in this catalog to prevent smoking and/or burning, etc.  
• This catalog has only typical specifications because there is no space for detailed specifications. Therefore, please review our product specifications or consult the approval sheet for product specifications before ordering.

Inductor for Power Lines (Power Inductor)  
Soldering and Mounting  
Inductor for Low Frequency Circuits  
RF Inductor

2. Standard Soldering Conditions

(1) Soldering method

Chip inductor (Chip coils) can be flow or reflow soldered.  
Please contact Murata regarding other soldering methods.  
As for LQH2MC/2HP/3NP/32P/44P/5BP/55D/55P/66S, LQM32P, LQW15C/18C series, please use reflow soldering.

Solder: Use Sn-3.0Ag-0.5Cu solder.

Flux: Use rosin-based flux, but not strongly acidic flux (with chlorine content exceeding 0.2wt%).

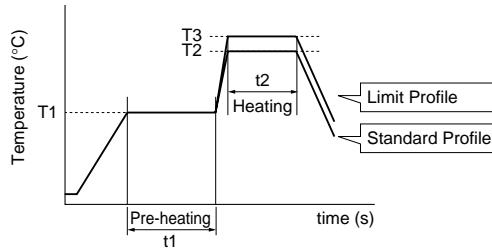
Do not use water-soluble flux.

The flux used for LQW15C/18C series should use the rosin-based flux that includes middle activator equivalent to 0.06wt% to 0.1wt% chlorine.

For additional mounting methods, please contact Murata.

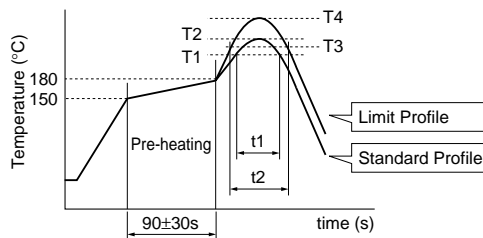
(2) Soldering profile

● Flow Soldering profile (Sn-3.0Ag-0.5Cu solder)



Series	Pre-heating		Standard Profile			Limit Profile		
	Temp. (T1)	Time. (t1)	Heating		Cycle of flow	Heating		Cycle of flow
			Temp. (T2)	Time. (t2)		Temp. (T3)	Time. (t2)	
LQM18F/18P LQM21D/21F/21P/2MP/2HP LQM31F/31P LQH31C	150°C	60s min.	250°C	4 to 6s	2 times max.	265±3°C	5s max.	2 times max.
LQH32C LQH43C/43P	150°C	60s min.	250°C	4 to 6s	2 times max.	265±3°C	5s max.	1 times

● Reflow Soldering profile (Sn-3.0Ag-0.5Cu solder)



Series	Standard Profile				Limit Profile			
	Heating		Peak temperature (T2)	Cycle of reflow	Heating		Peak temperature (T4)	Cycle of reflow
	Temp. (T1)	Time. (t1)			Temp. (T3)	Time. (t2)		
LQM18F/18P LQM21D/21F/21P/2MP/2HP LQM31F/31P LQH2MC, LQH2HP LQH31C LQH3NP/32P/43P/44P/5BP/55P LQW15C/18C	220°C	30 to 60s	245±3°C	2 times max.	230°C	60s max.	260°C/10s	2 times max.
LQH32C LQH43C LQH55D, LQH66S	220°C	30 to 60s	245±3°C	2 times max.	230°C	60s max.	260°C/10s	1 time

Continued on the following page.

△Note • Please read rating and △CAUTION (for storage, operating, rating, soldering, mounting and handling) in this catalog to prevent smoking and/or burning, etc.  
• This catalog has only typical specifications because there is no space for detailed specifications. Therefore, please review our product specifications or consult the approval sheet for product specifications before ordering.

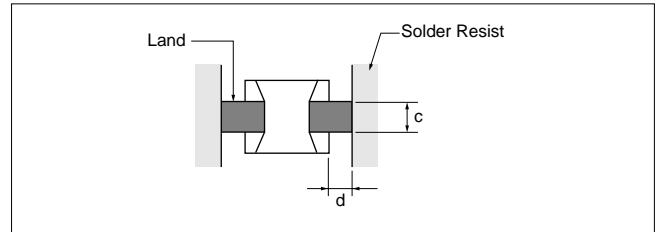
(3) Reworking with Soldering Iron  
 Preheating at 150°C for 1 minute is required. Do not directly touch the ceramic element with the tip of the soldering iron. The reworking soldering conditions are as follows:

Soldering iron power output: 80W max.  
 Temperature of soldering iron tip: 350°C  
 Diameter of soldering iron end: 3.0mm max.  
 Soldering time: within 3 s

**3. Mounting Instructions**

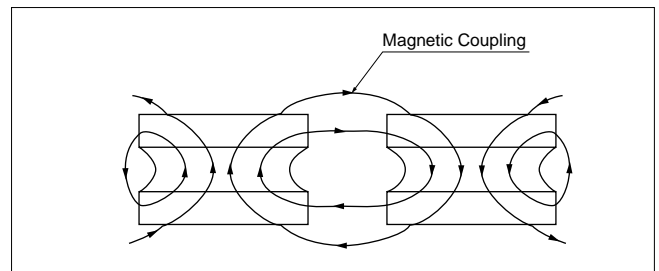
**(1) Land Pattern Dimensions**

Large lands reduce Q of the mounted chip. Also, large protruding land areas (bordered by lines having dimensions 'c' and 'd' shown) cause floating and electrode leaching.



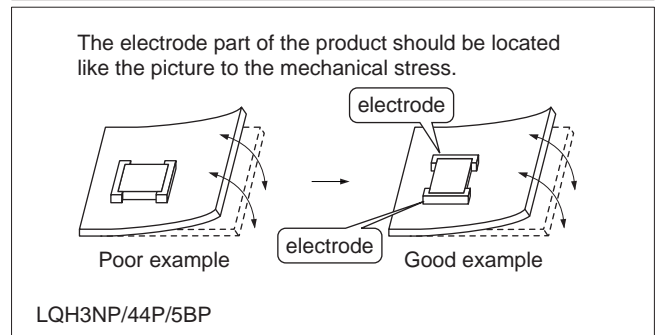
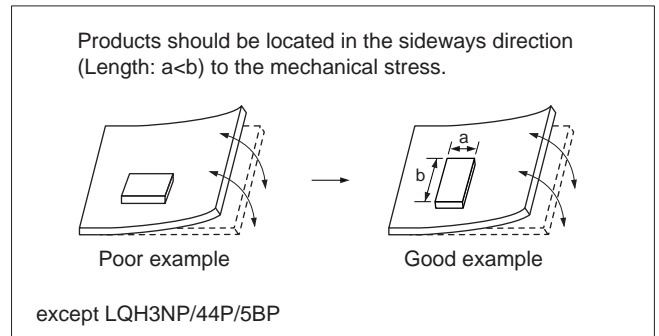
**(2) Magnetic Coupling**

Since some chip inductors (chip coils) are constructed like an open magnetic circuit, narrow spacing between inductors (coils) may cause magnetic coupling. LQM, LQH66S and LQH\_P series have a magnetically shielded structure. The structure makes their coupling coefficient smaller than that of conventional chip inductors (chip coils).



**(3) PCB Warping**

PCB should be designed so that products are not subjected to the mechanical stress caused by warping the board.



Continued on the following page.

△Note • Please read rating and △CAUTION (for storage, operating, rating, soldering, mounting and handling) in this catalog to prevent smoking and/or burning, etc.  
 • This catalog has only typical specifications because there is no space for detailed specifications. Therefore, please review our product specifications or consult the approval sheet for product specifications before ordering.

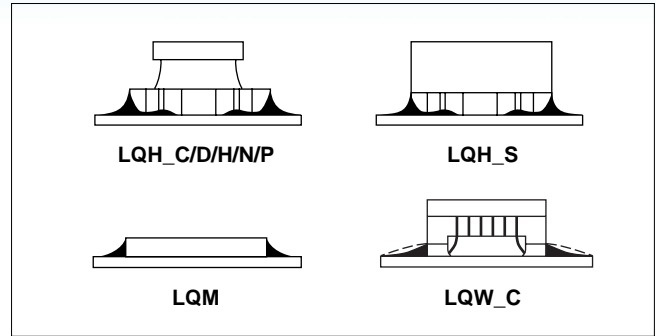
Inductor for Power Lines (Power Inductor) Soldering and Mounting Inductor for Low Frequency Circuits RF Inductor

(4) Amount of Solder Paste

Excessive solder causes electrode corrosion, while insufficient solder causes low electrode bonding strength. Adjust the amount of solder paste as shown on the right so that solder is applied.

● Guideline of solder paste thickness

- LQW15C: 50 to 100μm
- LQM, LQW18C, LQH2MC/2HP, LQH3NP/32P, LQH44P/5BP/55P: 100 to 150μm
- LQH31C/32C, LQH43C/43P, LQH55P, LQH66S: 200 to 300μm



(5) Amount of Adhesive

If too much adhesive is applied, then it may overflow into the land or termination areas and yield poor solderability. In contrast, if insufficient adhesive is applied, or if the adhesive is not sufficiently hardened, then the chip may become detached during flow soldering. Apply the adhesive in accordance with the conditions shown in chart.

Part Number	Typical Application Amount (in:mg)
	IR-100
LQM18F/18P	0.06-0.07
LQM21D/21F/21P/2MP	0.20-0.25
LQM2HP/31F/31P	0.25-0.30
LQH31C	0.20-0.25
LQH32C	0.27-0.35
LQH43C	0.60-0.80

4. Cleaning

The following conditions should be observed when cleaning chip inductors (chip coils):

- (1) Cleaning Temperature: 60°C max. (40°C max. for alcohol cleaning agents)
- (2) Ultrasonic
  - Output: 20W/l max.
  - Duration: 5 minutes max.
  - Frequency: 28 to 40kHz
  - Care should be taken not to cause resonance of the PCB and mounted products.

(3) Cleaning agent

The following cleaning agents have been tested on individual components. Evaluation in complete assembly should be done prior to production.

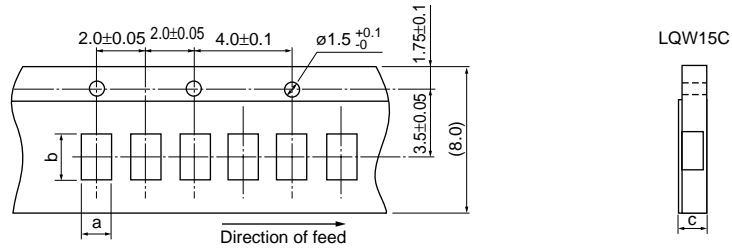
- (a) Alcohol cleaning agents
  - Isopropyl alcohol (IPA)
- (b) Aqueous cleaning agents
  - Pine Alpha ST-100S
  - LQH66S series: Aqueous agents should not be used because they may cause quality deterioration or damage to appearance.

- (4) Ensure that flux residue is completely removed. Component should be thoroughly dried after aqueous agents have been removed with deionized water.

For additional cleaning methods, please contact Murata.

△Note • Please read rating and △CAUTION (for storage, operating, rating, soldering, mounting and handling) in this catalog to prevent smoking and/or burning, etc.  
 • This catalog has only typical specifications because there is no space for detailed specifications. Therefore, please review our product specifications or consult the approval sheet for product specifications before ordering.

Minimum Quantity and 8mm Width Taping Dimensions



Paper Tape

Part Number	Dimensions		Total Thickness of Tape	Packaging Code (Minimum Qty. [pcs.])		
	a	b		c	ø180mm reel	ø330mm reel
<b>LQW15C</b> *1	0.64/0.66	1.18	0.8 max.	<b>D</b> [10000]	-	<b>B</b> [500]

\*1 0.66 (18-48nH)  
0.64 (70-200nH)

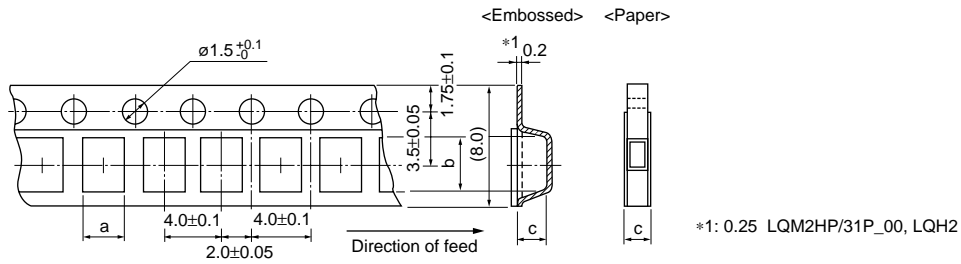
(in mm)

Continued on the following page.

**Note** • Please read rating and **CAUTION** (for storage, operating, rating, soldering, mounting and handling) in this catalog to prevent smoking and/or burning, etc.  
• This catalog has only typical specifications because there is no space for detailed specifications. Therefore, please review our product specifications or consult the approval sheet for product specifications before ordering.

Inductor for Power Lines (Power Inductor)  
Packaging  
Inductor for Low Frequency Circuits  
RF Inductor

■ Minimum Quantity and 8mm Width Taping Dimensions



Dimension of the cavity of embossed tape is measured at the bottom side.

Paper Tape

Part Number	Dimensions		Total Thickness of Tape	Packaging Code (Minimum Qty. [pcs.])		
	a	b		c	ø180mm reel	ø330mm reel
LQM21D (1-10μH)	1.45	2.25	1.1 max.	D [4000]	J [10000]	B [1000]
LQM21F (1-2.2μH)	1.45	2.25	1.1 max.	D [4000]	J [10000]	B [1000]
LQM21P_C0	1.45	2.25	0.8 max.	D [4000]	-	B [1000]
LQM21P_G0/GC/GR	1.45	2.25	1.1 max.	D [4000]	-	B [1000]
LQM18F	1.05	1.85	1.1 max.	D [4000]	J [10000]	B [1000]
LQW18C	1.0	1.8	1.1 max.	D [4000]	-	B [500]

Embossed Tape

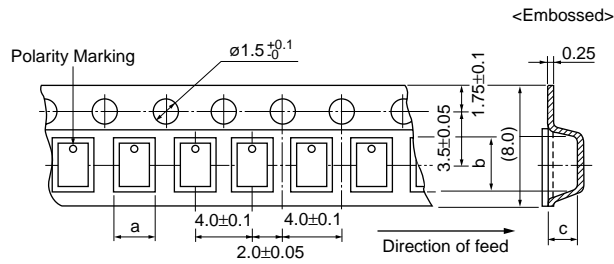
Part Number	Dimensions		Depth of Cavity	Packaging Code (Minimum Qty. [pcs.])		
	a	b		c	ø180mm reel	ø330mm reel
LQM18P_B0	1.0	1.8	0.50	L [4000]	-	B [1000]
LQM18P_C0	1.0	1.8	0.60	L [4000]	-	B [1000]
LQM18P_F0	1.0	1.8	1.0	L [4000]	-	B [1000]
LQM21D (22-47μH)	1.45	2.25	1.3	L [3000]	K [10000]	B [1000]
LQM21F (4.7-47μH)	1.45	2.25	1.3	L [3000]	K [10000]	B [1000]
LQM2HP_J0/JC	2.25	2.75	1.3	L [3000]	-	B [1000]
LQM2HP_G0/GC	2.3	2.8	1.1	L [3000]	-	B [1000]
LQM2HP_E0	2.3	2.8	0.9	L [3000]	-	B [1000]
LQM2MP_G0	1.85	2.25	1.1	L [3000]	-	B [1000]
LQM31F	1.9	3.5	1.3	L [3000]	K [10000]	B [1000]
LQM31P_00	1.9	3.5	1.05	L [3000]	-	B [1000]
LQM31P_C0	1.9	3.5	0.75	L [4000]	-	B [1000]
LQM32P_G0	2.9	3.6	1.15	L [3000]	-	B [1000]
LQH31C	1.9	3.6	2.0	L [2000]	K [7500]	-
LQH32C_33/_23	2.9	3.6	2.1	L [2000]	K [7500]	-
LQH32C_53	2.9	3.6	1.7	L [2000]	K [7500]	-
LQH32P	2.9	3.6	1.7	L [2000]	K [7500]	-
LQH2MC_02	1.9	2.3	1.05	L [3000]	-	B [100]
LQH2MC_52	1.9	2.3	0.8	L [3000]	-	B [100]

(in mm)

Continued on the following page.

△Note • Please read rating and △CAUTION (for storage, operating, rating, soldering, mounting and handling) in this catalog to prevent smoking and/or burning, etc.  
 • This catalog has only typical specifications because there is no space for detailed specifications. Therefore, please review our product specifications or consult the approval sheet for product specifications before ordering.

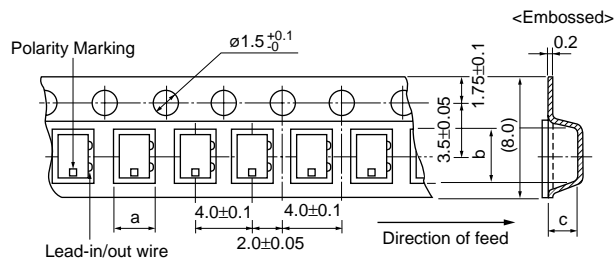
■ Minimum Quantity and 8mm Width Taping Dimensions



Dimension of the cavity of embossed tape is measured at the bottom side.

Embossed Tape

Part Number	Dimensions		Depth of Cavity	Packaging Code (Minimum Qty. [pcs.])		
	a	b		Ø180mm reel	Ø330mm reel	Bulk
LQH2HP_G0	2.3	2.8	1.1	L [3000]	-	-



Dimension of the cavity of embossed tape is measured at the bottom side.

Embossed Tape

Part Number	Dimensions		Depth of Cavity	Packaging Code (Minimum Qty. [pcs.])		
	a	b		Ø180mm reel	Ø330mm reel	Bulk
LQH3NP_MR	3.3	3.3	1.6	E [2000]	-	-

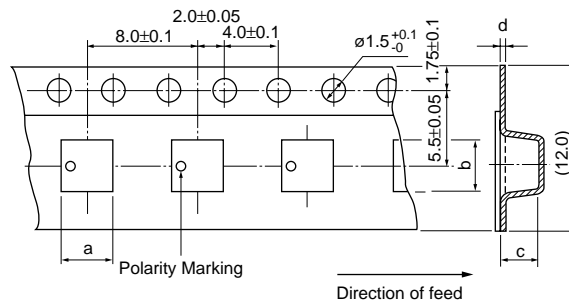
(in mm)

Continued on the following page.

△Note • Please read rating and △CAUTION (for storage, operating, rating, soldering, mounting and handling) in this catalog to prevent smoking and/or burning, etc.  
 • This catalog has only typical specifications because there is no space for detailed specifications. Therefore, please review our product specifications or consult the approval sheet for product specifications before ordering.



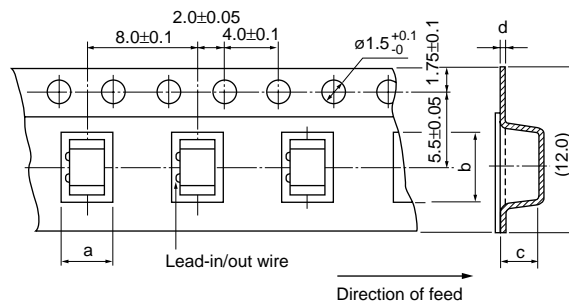
Minimum Quantity and 12mm Width Embossed Taping Dimensions



Dimension of the cavity of embossed tape is measured at the bottom side.

Embossed Tape

Part Number	Dimensions (*c: Depth of Cavity)				Packaging Code (Minimum Qty. [pcs.])		
	a	b	c	d	ø180mm reel	ø330mm reel	Bulk
LQH3NP_M0	3.3	3.3	1.6	0.25	L [1000]	K [4000]	-
LQH3NP_J0	3.3	3.3	1.3	0.25	L [1000]	K [5000]	-
LQH3NP_G0	3.3	3.3	1.1	0.25	L [1500]	K [6000]	-



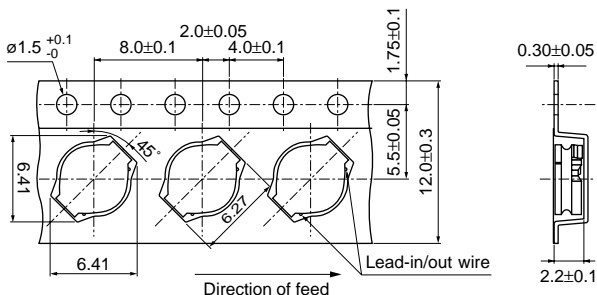
Dimension of the cavity of embossed tape is measured at the bottom side.

Embossed Tape

Part Number	Dimensions (*c: Depth of Cavity)				Packaging Code (Minimum Qty. [pcs.])		
	a	b	c	d	ø180mm reel	ø330mm reel	Bulk
LQH43C	3.6	4.9	2.7	0.3	L [500]	-	-
LQH43P	3.6	4.9	2.7	0.3	L [500]	K [2500]	-
LQH44 P_J0	4.3	4.3	1.4	0.3	L [1000]	K [3500]	-
LQH44P_P0	4.3	4.3	1.9	0.3	L [1000]	K [3500]	-
LQH5BP	5.3	5.3	2.4	0.3	L [500]	K [3000]	-
LQH55D	5.4	6.1	5.0	0.4	L [350]	K [1500]	-
LQH66S	6.7	6.7	5.6	0.4	L [350]	K [1500]	-

(in mm)

Minimum Quantity and 12mm Width Embossed Taping Dimensions



Dimension of the cavity of embossed tape is measured at the bottom side.

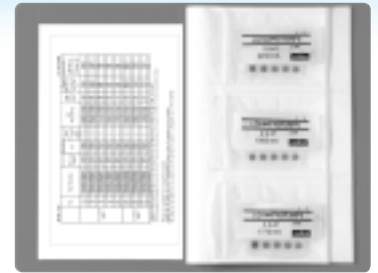
Embossed Tape

Part Number	Packaging Code (Minimum Qty. [pcs.])		
	ø180mm reel	ø330mm reel	Bulk
LQH55P	L [500]	K [3000]	-

(in mm)

Note • Please read rating and CAUTION (for storage, operating, rating, soldering, mounting and handling) in this catalog to prevent smoking and/or burning, etc.  
 • This catalog has only typical specifications because there is no space for detailed specifications. Therefore, please review our product specifications or consult the approval sheet for product specifications before ordering.

### ■ Holder Type



### ● EKLQM2PH (Inductor for Power Lines Multilayer Type)

No.	Part Number	Quantity (pcs.)	Inductance		DC Resistance (Ω)	Rated Current (mA)
			Nominal	Tolerance		
1	LQM18PN1R5NB0	10	1.5μH	±30%	0.35±25%	600
2	LQM18PN1R8NC0	10	1.8μH	±30%	0.24±25%	700
3	LQM18PN1R0NF0	10	1.0μH	±30%	0.28±25%	600
4	LQM18PNR22NFR	10	0.22μH	±30%	0.11±25%	1250
5	LQM18PNR47NFR	10	0.47μH	±30%	0.15±25%	1100
6	LQM18PN1R0MFR	10	1.0μH	±20%	0.20±25%	950
7	LQM18PN1R5MFR	10	1.5μH	±20%	0.23±25%	800
8	LQM18PN2R2MFR	10	2.2μH	±20%	0.30±25%	750
9	LQM18PN3R3MFR	10	3.3μH	±20%	0.35±25%	700
10	LQM18PN4R7MFR	10	4.7μH	±20%	0.44±25%	620
11	LQM21PNR47MCO	10	0.47μH	±20%	0.12±25%	1100
12	LQM21PN1R0MCO	10	1.0μH	±20%	0.19±25%	800
13	LQM21PN1R5MCO	10	1.5μH	±20%	0.26±25%	700
14	LQM21PN2R2MCO	10	2.2μH	±20%	0.34±25%	600
15	LQM21PNR54MGO	10	0.54μH	±20%	0.075±25%	1300
16	LQM21PN3R3MGO	10	3.3μH	±20%	0.165±25%	800
17	LQM21PN1R0NGC	10	1.0μH	±30%	0.10±25%	900
18	LQM21PN2R2NGC	10	2.2μH	±30%	0.23±25%	800
19	LQM21PN1R0NGR	10	1.0μH	±30%	0.066±25%	1300
20	LQM21PN3R3MGR	10	3.3μH	±20%	0.150±25%	1000
21	LQM21PN4R7MGR	10	4.7μH	±20%	0.23±25%	800
22	LQM2MPNR47MGO	10	0.47μH	±20%	0.060±25%	1600
23	LQM2MPN1R0NG0	10	1.0μH	±30%	0.085±25%	1400
24	LQM2MPN1R5MGO	10	1.5μH	±20%	0.11±25%	1200
25	LQM2MPN2R2MGO	10	2.2μH	±20%	0.11±25%	1200
26	LQM2MPN3R3NG0	10	3.3μH	±30%	0.12±25%	1200
27	LQM2MPN4R7MGO	10	4.7μH	±20%	0.14±25%	1100
28	LQM2HPNR56ME0	10	0.56μH	±20%	0.06±25%	1500
29	LQM2HPNR47MGO	10	0.47μH	±20%	0.04±25%	1800
30	LQM2HPN1R0MGO	10	1.0μH	±20%	0.055±25%	1600
31	LQM2HPN1R5MGO	10	1.5μH	±20%	0.07±25%	1500
32	LQM2HPN2R2MGO	10	2.2μH	±20%	0.08±25%	1300
33	LQM2HPN3R3MGO	10	3.3μH	±20%	0.10±25%	1200
34	LQM2HPN4R7MGO	10	4.7μH	±20%	0.11±25%	1100
35	LQM2HPN1R0MGC	10	1.0μH	±20%	0.08±25%	1500
36	LQM2HPN3R3MGC	10	3.3μH	±20%	0.16±25%	1000
37	LQM2HPN4R7MGC	10	4.7μH	±20%	0.18±25%	800
38	LQM2HPN1R0MJ0	10	1.0μH	±20%	0.09±25%	1500
39	LQM2HPN2R2MJ0	10	2.2μH	±20%	0.12±25%	1000
40	LQM2HPN3R3MJ0	10	3.3μH	±20%	0.12±25%	1000
41	LQM2HPN1R0MJC	10	1.0μH	±20%	0.086±25%	1500
42	LQM2HPN2R2NJC	10	2.2μH	±30%	0.175±25%	1000
43	LQM31PNR47MCO	10	0.47μH	±20%	0.085±25%	1300
44	LQM31PN1R0MCO	10	1.0μH	±20%	0.14±25%	1100
45	LQM31PN1R5MCO	10	1.5μH	±20%	0.17±25%	1000
46	LQM31PN2R2MCO	10	2.2μH	±20%	0.25±25%	900
47	LQM31PNR47M00	10	0.47μH	±20%	0.07±25%	1400
48	LQM31PN1R0M00	10	1.0μH	±20%	0.12±25%	1200
49	LQM31PN1R5M00	10	1.5μH	±20%	0.14±25%	1000
50	LQM31PN2R2M00	10	2.2μH	±20%	0.19±25%	900
51	LQM31PN3R3M00	10	3.3μH	±20%	0.24±25%	800
52	LQM31PN4R7M00	10	4.7μH	±20%	0.30±25%	700
53	LQM32PN1R0MGO	10	1.0μH	±20%	0.048±25%	1800

Continued on the following page.

△Note • Please read rating and △CAUTION (for storage, operating, rating, soldering, mounting and handling) in this catalog to prevent smoking and/or burning, etc.  
 • This catalog has only typical specifications because there is no space for detailed specifications. Therefore, please review our product specifications or consult the approval sheet for product specifications before ordering.

Continued from the preceding page.

●EKLHM2MCG (Inductor for Power Lines Wire Wound Type)

No.	Part Number	Quantity (pcs.)	Inductance		DC Resistance (Ω)	Rated Current (mA)	
			Nominal	Tolerance		Based on Inductance Change	Based on Temperature Rise
1	LQH2MCN1R0M02	10	1.0μH	±20%	0.30±30%	-	485
2	LQH2MCN1R5M02	10	1.5μH	±20%	0.40±30%	-	445
3	LQH2MCN2R2M02	10	2.2μH	±20%	0.48±30%	-	425
4	LQH2MCN3R3M02	10	3.3μH	±20%	0.60±30%	-	375
5	LQH2MCN4R7M02	10	4.7μH	±20%	0.8±30%	-	300
6	LQH2MCN5R6M02	10	5.6μH	±20%	0.9±30%	-	280
7	LQH2MCN6R8M02	10	6.8μH	±20%	1.0±30%	-	255
8	LQH2MCN8R2M02	10	8.2μH	±20%	1.1±30%	-	235
9	LQH2MCN100K02	10	10μH	±10%	1.2±30%	-	225
10	LQH2MCN120K02	10	12μH	±10%	1.4±30%	-	210
11	LQH2MCN150K02	10	15μH	±10%	1.6±30%	-	200
12	LQH2MCN180K02	10	18μH	±10%	1.8±30%	-	190
13	LQH2MCN220K02	10	22μH	±10%	2.1±30%	-	185
14	LQH2MCN270K02	10	27μH	±10%	2.5±30%	-	180
15	LQH2MCN330K02	10	33μH	±10%	2.8±30%	-	160
16	LQH2MCN390K02	10	39μH	±10%	4.4±30%	-	125
17	LQH2MCN470K02	10	47μH	±10%	5.1±30%	-	120
18	LQH2MCN560K02	10	56μH	±10%	5.7±30%	-	110
19	LQH2MCN680K02	10	68μH	±10%	6.6±30%	-	100
20	LQH2MCN820K02	10	82μH	±10%	7.5±30%	-	90
21	LQH2MCN1R0M52	10	1.0μH	±20%	0.25±30%	-	595
22	LQH2MCN1R5M52	10	1.5μH	±20%	0.33±30%	-	540
23	LQH2MCN2R2M52	10	2.2μH	±20%	0.42±30%	-	500
24	LQH2MCN3R3M52	10	3.3μH	±20%	0.74±30%	-	360
25	LQH2MCN4R7M52	10	4.7μH	±20%	0.91±30%	-	335
26	LQH2MCN6R8M52	10	6.8μH	±20%	1.23±30%	-	285
27	LQH2MCN100M52	10	10μH	±20%	2.27±30%	-	200
28	LQH2MCN120M52	10	12μH	±20%	2.4±30%	-	170
29	LQH2MCN150M52	10	15μH	±20%	3.5±30%	-	150
30	LQH2MCN180M52	10	18μH	±20%	4±30%	-	140
31	LQH2MCN220M52	10	22μH	±20%	5.5±30%	-	130
32	LQH2HPN2R2MG0	10	2.2μH	±20%	0.17±20%	1640	1000
33	LQH2HPN3R3MG0	10	3.3μH	±20%	0.27±20%	1290	810
34	LQH2HPN4R7MG0	10	4.7μH	±20%	0.36±20%	1000	700
35	LQH2HPN6R8MG0	10	6.8μH	±20%	0.5±20%	800	590
36	LQH2HPN100MG0	10	10μH	±20%	0.73±20%	700	490
37	LQH2HPN220MG0	10	22μH	±20%	1.6±20%	490	340
38	LQH2HPN101MG0	10	100μH	±20%	10±20%	210	130

●EKLMQH3PD (Inductor for Power Lines Wire Wound Type)

No.	Part Number	Quantity (pcs.)	Inductance		DC Resistance (Ω)	Rated Current (mA)	
			Nominal	Tolerance		Based on Inductance Change	Based on Temperature Rise
1	LQH3NPN1R0NG0	10	1.0μH	±30%	0.08±20%	1650	1525
2	LQH3NPN1R5NG0	10	1.5μH	±30%	0.10±20%	1300	1470
3	LQH3NPN2R2NG0	10	2.2μH	±30%	0.14±20%	1250	1270
4	LQH3NPN3R3NG0	10	3.3μH	±30%	0.18±20%	850	1130
5	LQH3NPN4R7NG0	10	4.7μH	±30%	0.26±20%	800	925
6	LQH3NPN6R8NG0	10	6.8μH	±30%	0.45±20%	650	710
7	LQH3NPN100MG0	10	10μH	±20%	0.57±20%	500	630
8	LQH3NPN150NG0	10	15μH	±30%	0.91±20%	370	475
9	LQH3NPN220MG0	10	22μH	±20%	1.1±20%	340	430
10	LQH3NPN330MG0	10	33μH	±20%	2.1±20%	250	345
11	LQH3NPN470MG0	10	47μH	±20%	3.0±20%	170	270
12	LQH3NPN680MG0	10	68μH	±20%	4.2±20%	150	235
13	LQH3NPN101MG0	10	100μH	±20%	8.0±20%	140	165
14	LQH3NPN151MG0	10	150μH	±20%	11±20%	110	145
15	LQH3NPN221MG0	10	220μH	±20%	14±20%	100	130
16	LQH3NPN251MG0	10	250μH	±20%	15±20%	80	130
17	LQH3NPN1R0NJ0	10	1.0μH	±30%	0.040±20%	1650	1620
18	LQH3NPN1R5NJ0	10	1.5μH	±30%	0.055±20%	1200	1500
19	LQH3NPN2R2MJ0	10	2.2μH	±20%	0.069±20%	1150	1460
20	LQH3NPN3R3MJ0	10	3.3μH	±20%	0.105±20%	950	1270
21	LQH3NPN4R7MJ0	10	4.7μH	±20%	0.130±20%	780	1120

Continued on the following page. ↗

⚠Note • Please read rating and ⚠CAUTION (for storage, operating, rating, soldering, mounting and handling) in this catalog to prevent smoking and/or burning, etc.  
 • This catalog has only typical specifications because there is no space for detailed specifications. Therefore, please review our product specifications or consult the approval sheet for product specifications before ordering.

Continued from the preceding page.

No.	Part Number	Quantity (pcs.)	Inductance		DC Resistance (Ω)	Rated Current (mA)	
			Nominal	Tolerance		Based on Inductance Change	Based on Temperature Rise
22	LQH3NPN6R8MJ0	10	6.8μH	±20%	0.210±20%	700	850
23	LQH3NPN100MJ0	10	10μH	±20%	0.300±20%	560	710
24	LQH3NPN150MJ0	10	15μH	±20%	0.440±20%	440	590
25	LQH3NPN220MJ0	10	22μH	±20%	0.600±20%	350	510
26	LQH3NPN330MJ0	10	33μH	±20%	0.900±20%	280	410
27	LQH3NPN470MJ0	10	47μH	±20%	1.30±20%	200	350
28	LQH3NPN1R0MM0	10	1.0μH	±20%	0.044±20%	1400	2050
29	LQH3NPN2R2MM0	10	2.2μH	±20%	0.073±20%	1250	1600
30	LQH3NPN3R3MM0	10	3.3μH	±20%	0.092±20%	1000	1450
31	LQH3NPN4R7MM0	10	4.7μH	±20%	0.13±20%	880	1250
32	LQH3NPN6R8MM0	10	6.8μH	±20%	0.20±20%	820	1000
33	LQH3NPN100MM0	10	10μH	±20%	0.26±20%	550	870
34	LQH3NPN150MM0	10	15μH	±20%	0.36±20%	520	730
35	LQH3NPN220MM0	10	22μH	±20%	0.51±20%	410	650
36	LQH3NPN330MM0	10	33μH	±20%	0.85±20%	370	500
37	LQH3NPN470MM0	10	47μH	±20%	1.25±20%	310	410
38	LQH3NPN101MM0	10	100μH	±20%	3.50±20%	200	240
39	LQH32PNR47NN0	10	0.47μH	±30%	0.030±20%	3400	2550
40	LQH32PN1R0NN0	10	1.0μH	±30%	0.045±20%	2300	2050
41	LQH32PN1R5NN0	10	1.5μH	±30%	0.057±20%	1750	1750
42	LQH32PN2R2NN0	10	2.2μH	±30%	0.076±20%	1550	1600
43	LQH32PN3R3NN0	10	3.3μH	±30%	0.12±20%	1250	1200
44	LQH32PN4R7NN0	10	4.7μH	±30%	0.18±20%	1000	1000
45	LQH32PN6R8NN0	10	6.8μH	±30%	0.24±20%	850	850
46	LQH32PN100MN0	10	10μH	±20%	0.38±20%	750	700
47	LQH32PN150MN0	10	15μH	±20%	0.57±20%	600	520
48	LQH32PN220MN0	10	22μH	±20%	0.81±20%	500	450
49	LQH32PN330MN0	10	33μH	±20%	1.15±20%	380	390
50	LQH32PN470MN0	10	47μH	±20%	1.78±20%	330	310
51	LQH32PN680MN0	10	68μH	±20%	2.28±20%	280	275
52	LQH32PN101MN0	10	100μH	±20%	2.70±20%	180	250
53	LQH32PN121MN0	10	120μH	±20%	4.38±20%	170	200

●EKLQ4PC (Inductor for Power Lines Wire Wound Type)

No.	Part Number	Quantity (pcs.)	Inductance		DC Resistance (Ω)	Rated Current (mA)	
			Nominal	Tolerance		Based on Inductance Change	Based on Temperature Rise
1	LQH44PN1R0NJ0	10	1.0μH	±30%	0.048±20%	2000	1530
2	LQH44PN1R5MJ0	10	1.5μH	±20%	0.061±20%	1600	1380
3	LQH44PN2R2MJ0	10	2.2μH	±20%	0.074±20%	1320	1230
4	LQH44PN3R3MJ0	10	3.3μH	±20%	0.088±20%	900	1000
5	LQH44PN4R7MJ0	10	4.7μH	±20%	0.117±20%	840	980
6	LQH44PN6R8MJ0	10	6.8μH	±20%	0.143±20%	720	860
7	LQH44PN100MJ0	10	10μH	±20%	0.207±20%	560	790
8	LQH44PN150MJ0	10	15μH	±20%	0.385±20%	430	610
9	LQH44PN220MJ0	10	22μH	±20%	0.480±20%	400	550
10	LQH44PN330MJ0	10	33μH	±20%	0.740±20%	360	430
11	LQH44PN470MJ0	10	47μH	±20%	1.014±20%	300	380
12	LQH44PN1R0NP0	10	1.0μH	±30%	0.030±20%	2950	2450
13	LQH44PN2R2MP0	10	2.2μH	±20%	0.049±20%	2500	1800
14	LQH44PN3R3MP0	10	3.3μH	±20%	0.065±20%	2100	1770
15	LQH44PN4R7MP0	10	4.7μH	±20%	0.080±20%	1700	1700
16	LQH44PN6R8MP0	10	6.8μH	±20%	0.12±20%	1400	1340
17	LQH44PN100MP0	10	10μH	±20%	0.16±20%	1150	1170
18	LQH44PN220MP0	10	22μH	±20%	0.37±20%	800	790
19	LQH43PN1R0N26	10	1.0μH	±30%	0.026±20%	3400	3300
20	LQH43PN2R2M26	10	2.2μH	±20%	0.042±20%	2300	2500
21	LQH43PN3R3M26	10	3.3μH	±20%	0.052±20%	1800	2100
22	LQH43PN4R7M26	10	4.7μH	±20%	0.075±20%	1400	1600
23	LQH43PN6R8M26	10	6.8μH	±20%	0.098±20%	1200	1400
24	LQH43PN8R2M26	10	8.2μH	±20%	0.128±20%	1100	1300
25	LQH43PN100M26	10	10μH	±20%	0.147±20%	1050	1170
26	LQH43PN220M26	10	22μH	±20%	0.327±20%	700	780
27	LQH43PN470M26	10	47μH	±20%	0.718±20%	470	520
28	LQH43PN101M26	10	100μH	±20%	1.538±20%	320	320
29	LQH43PN151M26	10	150μH	±20%	2.362±20%	280	260
30	LQH43PN221M26	10	220μH	±20%	2.900±20%	220	240

Continued on the following page.

Note • Please read rating and CAUTION (for storage, operating, rating, soldering, mounting and handling) in this catalog to prevent smoking and/or burning, etc.  
 • This catalog has only typical specifications because there is no space for detailed specifications. Therefore, please review our product specifications or consult the approval sheet for product specifications before ordering.

Inductor for Power Lines (Power Inductor) Design Kits Inductor for Low Frequency Circuits RF Inductor

Continued from the preceding page.

●EKLMQH5PC (Inductor for Power Lines Wire Wound Type)

No.	Part Number	Quantity (pcs.)	Inductance		DC Resistance (Ω)	Rated Current (mA)	
			Nominal	Tolerance		Based on Inductance Change	Based on Temperature Rise
1	LQH5BPNR47NT0	10	0.47μH	±30%	0.012±20%	7700	4000
2	LQH5BPN1R0NT0	10	1.0μH	±30%	0.019±20%	5800	3100
3	LQH5BPN1R2NT0	10	1.2μH	±30%	0.019±20%	5400	3100
4	LQH5BPN1R5NT0	10	1.5μH	±30%	0.024±20%	5000	3000
5	LQH5BPN2R2NT0	10	2.2μH	±30%	0.030±20%	4000	2600
6	LQH5BPN2R7NT0	10	2.7μH	±30%	0.035±20%	3800	2500
7	LQH5BPN3R3NT0	10	3.3μH	±30%	0.044±20%	3500	2300
8	LQH5BPN4R7NT0	10	4.7μH	±30%	0.058±20%	3000	2000
9	LQH5BPN6R8NT0	10	6.8μH	±30%	0.083±20%	2500	1650
10	LQH5BPN100MT0	10	10μH	±20%	0.106±20%	2000	1600
11	LQH5BPN150MT0	10	15μH	±20%	0.187±20%	1600	1200
12	LQH5BPN220MT0	10	22μH	±20%	0.259±20%	1400	1050

●EKLMM18FB (for Choke Multilayer Type)

No.	Part Number	Quantity (pcs.)	Inductance		DC Resistance (Ω)	Rated Current (mA)
			Nominal	Tolerance		
1	LQM18FN1R0M00	10	1.0μH	±20%	0.20±30%	150
2	LQM18FN2R2M00	10	2.2μH	±20%	0.40±30%	120
3	LQM18FN4R7M00	10	4.7μH	±20%	0.60±30%	80
4	LQM18FN100M00	10	10μH	±20%	0.90±30%	50
5	LQM21FN1R0N00	10	1.0μH	±30%	0.20±30%	220
6	LQM21FN2R2N00	10	2.2μH	±30%	0.28±30%	150
7	LQM21FN4R7M70	10	4.7μH	±20%	0.35±30%	120
8	LQM21FN4R7M80	10	4.7μH	±20%	0.18±30%	120
9	LQM21FN100M70	10	10μH	±20%	0.60±30%	100
10	LQM21FN100M80	10	10μH	±20%	0.30±30%	100
11	LQM21FN220N00	10	22μH	±30%	0.35±30%	13
12	LQM21FN470N00	10	47μH	±30%	0.60±30%	7
13	LQM31FN100M00	10	10μH	±20%	0.50 max.	70

●EKLMMH32CC (for Choke Wire Wound Type)

No.	Part Number	Quantity (pcs.)	Inductance		DC Resistance (Ω)	Rated Current (mA)
			Nominal	Tolerance		
1	LQH32CNR15M33	10	0.15μH	±20%	0.028±30%	1450
2	LQH32CNR27M33	10	0.27μH	±20%	0.034±30%	1250
3	LQH32CNR47M33	10	0.47μH	±20%	0.042±30%	1100
4	LQH32CN1R0M33	10	1.0μH	±20%	0.06±30%	1000
5	LQH32CN2R2M33	10	2.2μH	±20%	0.097±30%	790
6	LQH32CN4R7M33	10	4.7μH	±20%	0.15±30%	650
7	LQH32CN100K33	10	10μH	±10%	0.3±30%	450
8	LQH32CN1R0M23	10	1.0μH	±20%	0.09±30%	800
9	LQH32CN2R2M23	10	2.2μH	±20%	0.13±30%	600
10	LQH32CN4R7M23	10	4.7μH	±20%	0.2±30%	450
11	LQH32CN100K23	10	10μH	±10%	0.44±30%	300
12	LQH32CN220K23	10	22μH	±10%	0.71±30%	250
13	LQH32CN470K23	10	47μH	±10%	1.3±30%	170
14	LQH32CN101K23	10	100μH	±10%	3.5±30%	100
15	LQH32CN221K23	10	220μH	±10%	8.4±30%	70
16	LQH32CN331K23	10	330μH	±10%	10±30%	60
17	LQH32CN391K23	10	390μH	±10%	17±30%	60
18	LQH32CN471K23	10	470μH	±10%	19±30%	60
19	LQH32CN561K23	10	560μH	±10%	22±30%	60
20	LQH32CN1R0M53	10	1.0μH	±20%	0.06±30%	1000
21	LQH32CN2R2M53	10	2.2μH	±20%	0.097±30%	790
22	LQH32CN4R7M53	10	4.7μH	±20%	0.15±30%	650
23	LQH32CN100K53	10	10μH	±10%	0.3±30%	450
24	LQH32CN150K53	10	15μH	±10%	0.58±30%	300
25	LQH32CN220K53	10	22μH	±10%	0.71±30%	250
26	LQH32CN330K53	10	33μH	±10%	1.1±30%	200
27	LQH32CN470K53	10	47μH	±10%	1.3±30%	170
28	LQH32CN680K53	10	68μH	±10%	2.2±30%	130
29	LQH32CN101K53	10	100μH	±10%	3.5±30%	100

Continued on the following page. ↗

⚠Note • Please read rating and ⚠CAUTION (for storage, operating, rating, soldering, mounting and handling) in this catalog to prevent smoking and/or burning, etc.  
 • This catalog has only typical specifications because there is no space for detailed specifications. Therefore, please review our product specifications or consult the approval sheet for product specifications before ordering.



Continued from the preceding page.

●EKL43CD (for Choke Wire Wound Type)

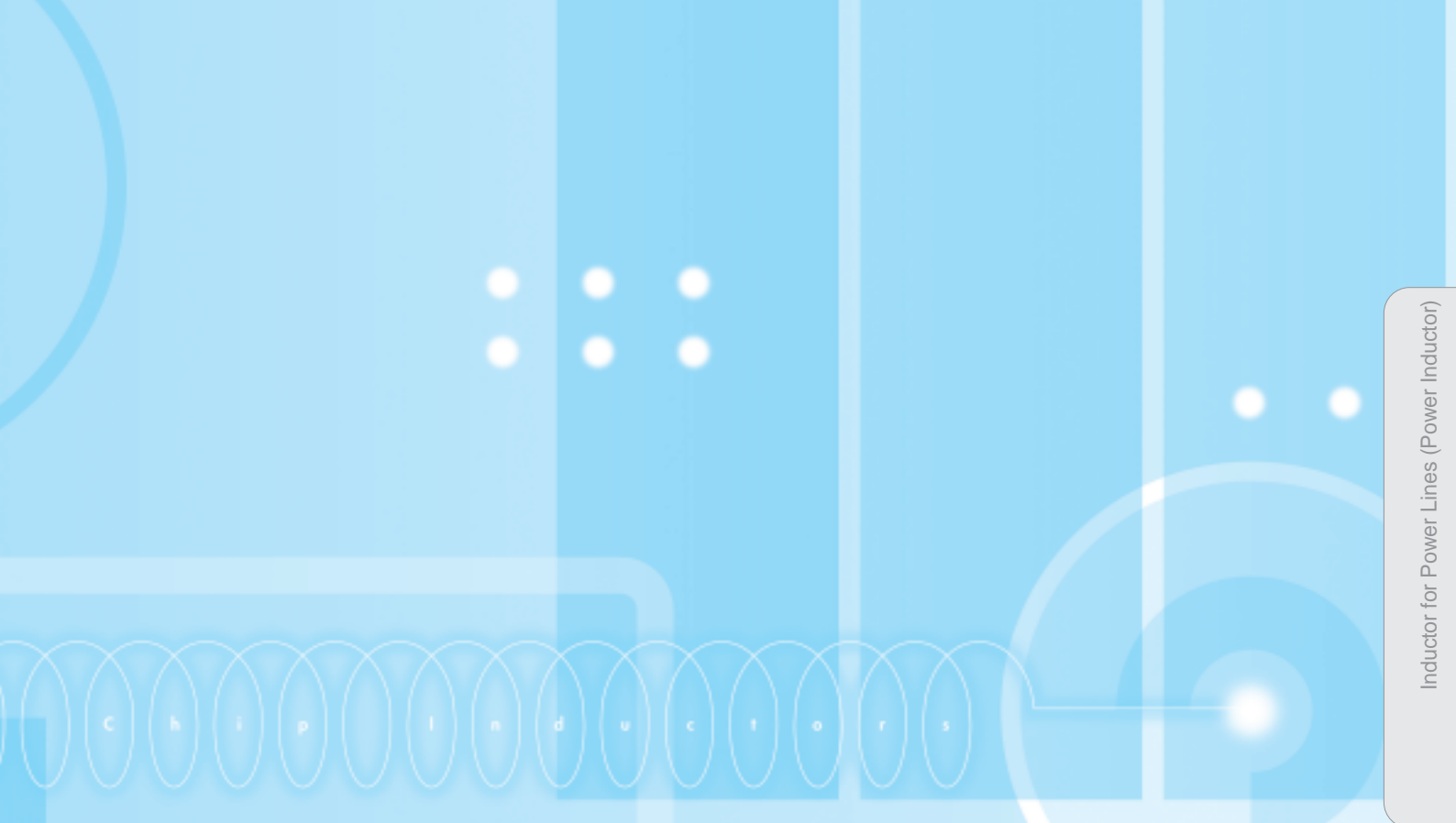
No.	Part Number	Quantity (pcs.)	Inductance		DC Resistance (Ω)	Rated Current (mA)
			Nominal	Tolerance		
1	LQH43CN1R0M03	10	1.0μH	±20%	0.08	1080
2	LQH43CN1R5M03	10	1.5μH	±20%	0.09	1000
3	LQH43CN2R2M03	10	2.2μH	±20%	0.11	900
4	LQH43CN3R3M03	10	3.3μH	±20%	0.13	800
5	LQH43CN4R7M03	10	4.7μH	±20%	0.15	750
6	LQH43CN6R8M03	10	6.8μH	±20%	0.20	720
7	LQH43CN100K03	10	10μH	±10%	0.24	650
8	LQH43CN150K03	10	15μH	±10%	0.32	570
9	LQH43CN220K03	10	22μH	±10%	0.60	420
10	LQH43CN330K03	10	33μH	±10%	1.00	310
11	LQH43CN470K03	10	47μH	±10%	1.10	280
12	LQH43CN680K03	10	68μH	±10%	1.70	220
13	LQH43CN101K03	10	100μH	±10%	2.20	190
14	LQH43CN151K03	10	150μH	±10%	3.50	130
15	LQH43CN221K03	10	220μH	±10%	4.00	110
16	LQH43CN331K03	10	330μH	±10%	6.80	100
17	LQH43CN471K03	10	470μH	±10%	8.50	90
18	LQH43CN1R0M33	10	1.0μH	±20%	0.042	2600
19	LQH43CN1R5M33	10	1.5μH	±20%	0.047	2450
20	LQH43CN1R8M33	10	1.8μH	±20%	0.055	2300
21	LQH43CN2R2M33	10	2.2μH	±20%	0.062	2100
22	LQH43CN2R7M33	10	2.7μH	±20%	0.069	1800
23	LQH43CN3R3M33	10	3.3μH	±20%	0.099	1650
24	LQH43CN3R9M33	10	3.9μH	±20%	0.107	1600
25	LQH43CNR56M33	10	0.56μH	±20%	0.030	2950
26	LQH43CNR82M33	10	0.82μH	±20%	0.036	2800

●EKL18CB (for Choke Wire Wound Type)

No.	Part Number	Quantity (pcs.)	Inductance		DC Resistance (Ω) max.	Rated Current (mA)
			Nominal	Tolerance		
1	LQW15CN18NJ00	10	18nH	±5%	0.046	1400
2	LQW15CN33NJ00	10	33nH	±5%	0.065	1300
3	LQW15CN48NJ00	10	48nH	±5%	0.078	1100
4	LQW15CN70NJ00	10	70nH	±5%	0.12	820
5	LQW15CN96NJ00	10	96nH	±5%	0.16	730
6	LQW15CNR13J00	10	130nH	±5%	0.23	640
7	LQW15CNR16J00	10	160nH	±5%	0.33	480
8	LQW15CNR20J00	10	200nH	±5%	0.47	390
9	LQW18CN4N9D00	10	4.9nH	±0.5nH	0.015	2600
10	LQW18CN15NJ00	10	15nH	±5%	0.025	2200
11	LQW18CN33NJ00	10	33nH	±5%	0.035	1700
12	LQW18CN55NJ00	10	55nH	±5%	0.045	1500
13	LQW18CN85NJ00	10	85nH	±5%	0.060	1400
14	LQW18CNR10K00	10	100nH	±10%	0.10	1000
15	LQW18CNR12J00	10	120nH	±5%	0.085	1100
16	LQW18CNR16J00	10	160nH	±5%	0.10	1000
17	LQW18CNR21J00	10	210nH	±5%	0.15	800
18	LQW18CNR27J00	10	270nH	±5%	0.16	750
19	LQW18CNR33J00	10	330nH	±5%	0.25	630
20	LQW18CNR39J00	10	390nH	±5%	0.28	620
21	LQW18CNR47J00	10	470nH	±5%	0.45	500
22	LQW18CNR56J00	10	560nH	±5%	0.48	450
23	LQW18CNR65J00	10	650nH	±5%	0.52	430

△Note • Please read rating and △CAUTION (for storage, operating, rating, soldering, mounting and handling) in this catalog to prevent smoking and/or burning, etc.  
 • This catalog has only typical specifications because there is no space for detailed specifications. Therefore, please review our product specifications or consult the approval sheet for product specifications before ordering.

Inductor for Power Lines (Power Inductor) Design Kits Inductor for Low Frequency Circuits RF Inductor



C h i p   I n d u c t o r s

Inductor for Power Lines (Power Inductor)

## ● Inductor for Low Frequency Circuits



Part Numbering .....	94
Product Detail .....	95
⚠Caution/Notice .....	106
Soldering and Mounting .....	107
Packaging .....	111
Design Kits .....	112

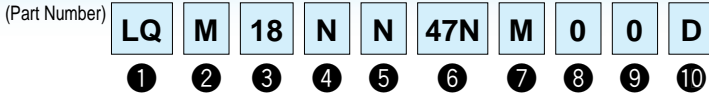
Inductor for Low Frequency Circuits



RF Inductor

⚠Note • Please read rating and ⚠CAUTION (for storage, operating, rating, soldering, mounting and handling) in this catalog to prevent smoking and/or burning, etc.  
 • This catalog has only typical specifications because there is no space for detailed specifications. Therefore, please review our product specifications or consult the approval sheet for product specifications before ordering.

# Inductor for Low Frequency Circuits Part Numbering



## ① Product ID

Product ID	
LQ	Chip Inductors (Chip Coils)

## ② Structure

Code	Structure
H	Wire Wound Type (Ferrite Core)
M	Multilayer Type (Ferrite Core)

## ③ Dimensions (L×W)

Code	Dimensions (L×W)	EIA
18	1.6×0.8mm	0603
21	2.0×1.25mm	0805
31	3.2×1.6mm	1206
32	3.2×2.5mm	1210
43	4.5×3.2mm	1812

## ④ Applications and Characteristics

Code	Series	Applications and Characteristics
N	LQM	for Resonant Circuit
N	LQH	for Resonant Circuit
M		for Resonant Circuit (Coating Type)

## ⑤ Category

Code	Category
N	Standard Type

## ⑩ Packaging

Code	Packaging	Series
K	Embossed Taping (ø330mm Reel)	LQH/LQM21*1
L	Embossed Taping (ø180mm Reel)	LQH/LQM21*1
B	Bulk	LQM
J	Paper Taping (ø330mm Reel)	LQM18/LQM21*2
D	Paper Taping (ø180mm Reel)	LQM18/LQM21*2

\*1 LQM21N(2.7 - 4.7μH) only.

\*2 LQM21N(0.1 - 2.2μH) only.

## ⑥ Inductance

Expressed by three-digit alphanumerics. The unit is micro-henry (μH). The first and second figures are significant digits, and the third figure expresses the number of zeros which follow the two figures. If there is a decimal point, it is expressed by the capital letter "R". In this case, all figures are significant digits. If inductance is less than 0.1μH, the inductance code is expressed by a combination of two figures and the capital letter "N", and the unit of inductance is nano-henry (nH). The capital letter "N" indicates the unit of "nH", and also expresses a decimal point. In this case, all figures are significant digits.

## ⑦ Inductance Tolerance

Code	Inductance Tolerance
J	±5%
K	±10%
M	±20%

## ⑧ Features

Code	Features	Series
0	Standard Type	LQM*1 /LQH*2
1	Standard Type	LQM21N
2	Standard Type	LQH32M

\*1 Except LQM21N Series

\*2 Except LQH32 Series

## ⑨ Electrode

•Lead (Pb) Free

Code	Electrode	Series
0	Sn	LQM
3	LF Solder	LQH

△Note • Please read rating and CAUTION (for storage, operating, rating, soldering, mounting and handling) in this catalog to prevent smoking and/or burning, etc.  
• This catalog has only typical specifications because there is no space for detailed specifications. Therefore, please review our product specifications or consult the approval sheet for product specifications before ordering.

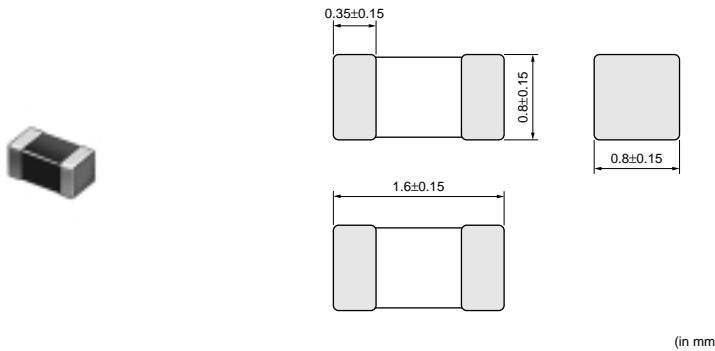


# LQM18N Series (0603 Size)



## 0603 Size, Multilayer Type

### ■ Dimensions



### ■ Packaging

Code	Packaging	Minimum Quantity
D	180mm Paper Tape	4000
J	330mm Paper Tape	10000
B	Bulk(Bag)	1000

Refer to pages from p.107 to p.110 for mounting information.

### ■ Rated Value (□: packaging code)

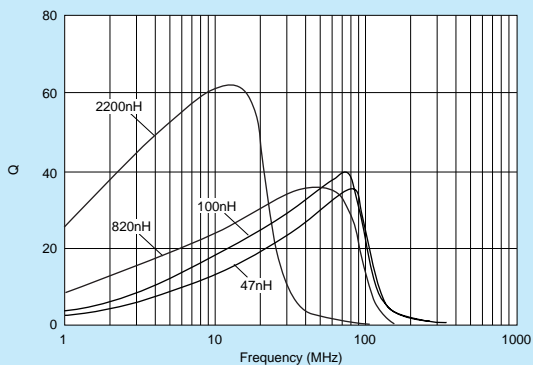
Part Number	Inductance	Test Frequency	Rated Current	Max. of DC Resistance	Q (min.)	Test Frequency	Self Resonance Frequency (min.)	
LQM18NN47NM00□	47nH±20%	50MHz	50mA	0.30ohm	10	50MHz	260MHz	Kit
LQM18NN68NM00□	68nH±20%	50MHz	50mA	0.30ohm	10	50MHz	250MHz	Kit
LQM18NN82NM00□	82nH±20%	50MHz	50mA	0.30ohm	10	50MHz	245MHz	Kit
LQM18NNR10K00□	100nH±10%	25MHz	50mA	0.50ohm	15	25MHz	240MHz	Kit
LQM18NNR12K00□	120nH±10%	25MHz	50mA	0.50ohm	15	25MHz	205MHz	Kit
LQM18NNR15K00□	150nH±10%	25MHz	50mA	0.60ohm	15	25MHz	180MHz	Kit
LQM18NNR18K00□	180nH±10%	25MHz	50mA	0.60ohm	15	25MHz	165MHz	Kit
LQM18NNR22K00□	220nH±10%	25MHz	50mA	0.80ohm	15	25MHz	150MHz	Kit
LQM18NNR27K00□	270nH±10%	25MHz	50mA	0.80ohm	15	25MHz	136MHz	Kit
LQM18NNR33K00□	330nH±10%	25MHz	35mA	0.85ohm	15	25MHz	125MHz	Kit
LQM18NNR39K00□	390nH±10%	25MHz	35mA	1.00ohm	15	25MHz	110MHz	Kit
LQM18NNR47K00□	470nH±10%	25MHz	35mA	1.35ohm	15	25MHz	105MHz	Kit
LQM18NNR56K00□	560nH±10%	25MHz	35mA	1.55ohm	15	25MHz	95MHz	Kit
LQM18NNR68K00□	680nH±10%	25MHz	35mA	1.70ohm	15	25MHz	90MHz	Kit
LQM18NNR82K00□	820nH±10%	25MHz	35mA	2.10ohm	15	25MHz	85MHz	Kit
LQM18NN1R0K00□	1000nH±10%	10MHz	25mA	0.60ohm	35	10MHz	75MHz	Kit
LQM18NN1R2K00□	1200nH±10%	10MHz	25mA	0.80ohm	35	10MHz	65MHz	Kit
LQM18NN1R5K00□	1500nH±10%	10MHz	25mA	0.80ohm	35	10MHz	60MHz	Kit
LQM18NN1R8K00□	1800nH±10%	10MHz	25mA	0.95ohm	35	10MHz	55MHz	Kit
LQM18NN2R2K00□	2200nH±10%	10MHz	15mA	1.15ohm	35	10MHz	50MHz	Kit

Class of Magnetic Shield: Magnetic shield of ferrite    Operating Temperature Range: -40°C to +85°C

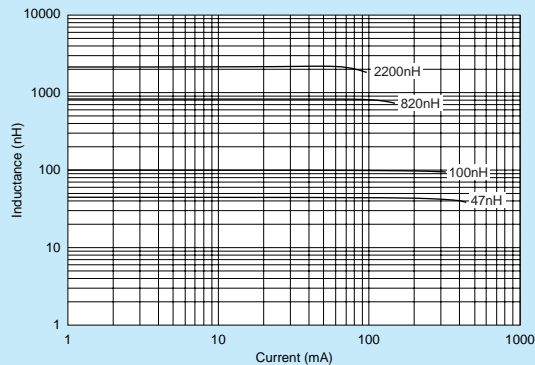
Continued on the following page. ↗

△Note • Please read rating and △CAUTION (for storage, operating, rating, soldering, mounting and handling) in this catalog to prevent smoking and/or burning, etc.  
 • This catalog has only typical specifications because there is no space for detailed specifications. Therefore, please review our product specifications or consult the approval sheet for product specifications before ordering.

■ Q-Frequency Characteristics (Typ.)



■ Inductance-Current Characteristics (Typ.)




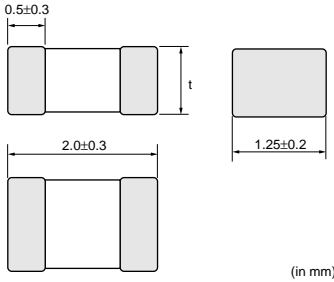
△Note • Please read rating and △CAUTION (for storage, operating, rating, soldering, mounting and handling) in this catalog to prevent smoking and/or burning, etc.  
 • This catalog has only typical specifications because there is no space for detailed specifications. Therefore, please review our product specifications or consult the approval sheet for product specifications before ordering.

# LQM21N Series (0805 Size)



## 0805 Size, Multilayer Type

■ Dimensions

(in mm)

Dimension of t	Inductance: 0.1 to 2.2μH	0.85±0.2
	Inductance: 2.7 to 4.7μH	1.25±0.2

### ■ Packaging

Code	Packaging	Minimum Quantity
D	180mm Paper Tape	4000 *1
L	180mm Embossed Tape	3000 *2
J	330mm Paper Tape	10000 *1
K	330mm Embossed Tape	10000 *2
B	Bulk(Bag)	1000

\*1: only 0.1 to 2.2μH

\*2: only 2.7 to 4.7μH

Refer to pages from p.107 to p.110 for mounting information.

### ■ Rated Value (□: packaging code)

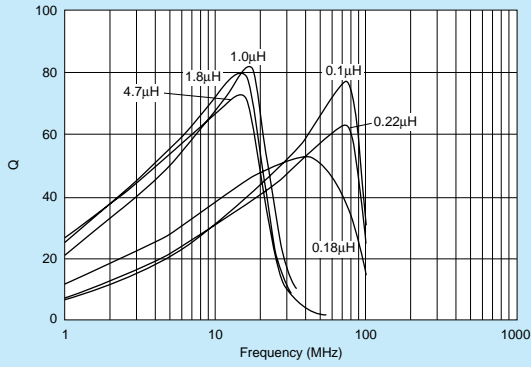
Part Number	Inductance	Test Frequency	Rated Current	Max. of DC resistance	Q (min.)	Test Frequency	Self Resonance Frequency (min.)	
LQM21NNR10K10□	0.1μH±10%	25MHz	250mA	0.26ohm	20	25MHz	340MHz	Kit
LQM21NNR12K10□	0.12μH±10%	25MHz	250mA	0.29ohm	20	25MHz	310MHz	Kit
LQM21NNR15K10□	0.15μH±10%	25MHz	250mA	0.32ohm	20	25MHz	270MHz	Kit
LQM21NNR18K10□	0.18μH±10%	25MHz	250mA	0.35ohm	20	25MHz	250MHz	Kit
LQM21NNR22K10□	0.22μH±10%	25MHz	250mA	0.38ohm	20	25MHz	220MHz	Kit
LQM21NNR27K10□	0.27μH±10%	25MHz	250mA	0.42ohm	20	25MHz	200MHz	Kit
LQM21NNR33K10□	0.33μH±10%	25MHz	250mA	0.48ohm	20	25MHz	180MHz	Kit
LQM21NNR39K10□	0.39μH±10%	25MHz	200mA	0.53ohm	25	25MHz	165MHz	Kit
LQM21NNR47K10□	0.47μH±10%	25MHz	200mA	0.57ohm	25	25MHz	150MHz	Kit
LQM21NNR56K10□	0.56μH±10%	25MHz	150mA	0.63ohm	25	25MHz	140MHz	Kit
LQM21NNR68K10□	0.68μH±10%	25MHz	150mA	0.72ohm	25	25MHz	125MHz	Kit
LQM21NNR82K10□	0.82μH±10%	25MHz	150mA	0.81ohm	25	25MHz	115MHz	Kit
LQM21NN1R0K10□	1μH±10%	10MHz	50mA	0.40ohm	45	10MHz	107MHz	Kit
LQM21NN1R2K10□	1.2μH±10%	10MHz	50mA	0.47ohm	45	10MHz	97MHz	Kit
LQM21NN1R5K10□	1.5μH±10%	10MHz	50mA	0.50ohm	45	10MHz	87MHz	Kit
LQM21NN1R8K10□	1.8μH±10%	10MHz	50mA	0.57ohm	45	10MHz	80MHz	Kit
LQM21NN2R2K10□	2.2μH±10%	10MHz	30mA	0.63ohm	45	10MHz	71MHz	Kit
LQM21NN2R7K10□	2.7μH±10%	10MHz	30mA	0.69ohm	45	10MHz	66MHz	Kit
LQM21NN3R3K10□	3.3μH±10%	10MHz	30mA	0.80ohm	45	10MHz	59MHz	Kit
LQM21NN3R9K10□	3.9μH±10%	10MHz	30mA	0.89ohm	45	10MHz	53MHz	Kit
LQM21NN4R7K10□	4.7μH±10%	10MHz	30mA	1.00ohm	45	10MHz	47MHz	Kit

Class of Magnetic Shield: Magnetic shield of ferrite    Operating Temperature Range: -40°C to +85°C

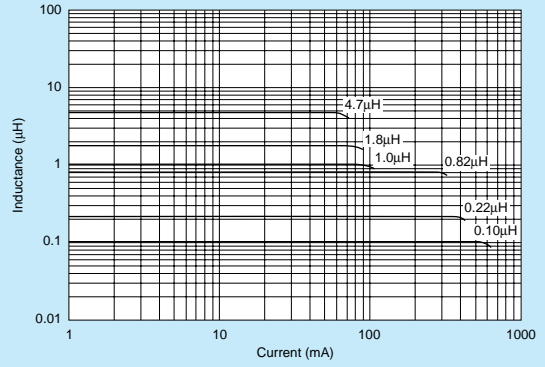
Continued on the following page.

△Note • Please read rating and △CAUTION (for storage, operating, rating, soldering, mounting and handling) in this catalog to prevent smoking and/or burning, etc.  
• This catalog has only typical specifications because there is no space for detailed specifications. Therefore, please review our product specifications or consult the approval sheet for product specifications before ordering.

■ Q-Frequency Characteristics (Typ.)



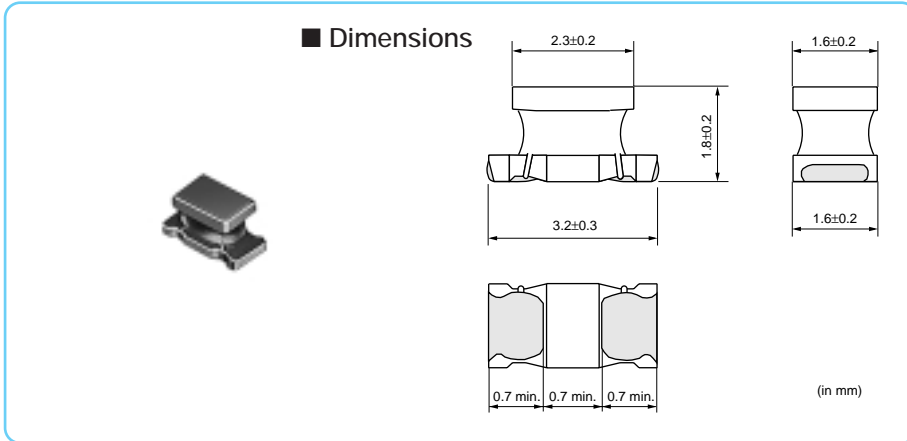
■ Inductance-Current Characteristics (Typ.)



⚠Note • Please read rating and ⚠CAUTION (for storage, operating, rating, soldering, mounting and handling) in this catalog to prevent smoking and/or burning, etc.  
 • This catalog has only typical specifications because there is no space for detailed specifications. Therefore, please review our product specifications or consult the approval sheet for product specifications before ordering.



## 1206 Size, Wound Type



### ■ Packaging

Code	Packaging	Minimum Quantity
L	180mm Embossed Tape	2000
K	330mm Embossed Tape	7500

Refer to pages from p.107 to p.110 for mounting information.

### ■ Rated Value (□: packaging code)

Part Number	Inductance	Test Frequency	Rated Current	DC Resistance	Q (min.)	Test Frequency	Self Resonance Frequency (min.)
LQH31MNR15K03□	0.15μH±10%	1MHz	250mA	0.39ohm±40%	20	25MHz	250MHz
LQH31MNR22K03□	0.22μH±10%	1MHz	240mA	0.43ohm±40%	20	25MHz	250MHz
LQH31MNR33K03□	0.33μH±10%	1MHz	230mA	0.45ohm±40%	30	25MHz	250MHz
LQH31MNR47K03□	0.47μH±10%	1MHz	215mA	0.83ohm±40%	30	25MHz	200MHz
LQH31MNR56K03□	0.56μH±10%	1MHz	200mA	0.61ohm±40%	30	25MHz	180MHz
LQH31MNR68K03□	0.68μH±10%	1MHz	190mA	0.67ohm±40%	30	25MHz	160MHz
LQH31MNR82K03□	0.82μH±10%	1MHz	185mA	0.73ohm±40%	30	25MHz	120MHz
LQH31MN1R0K03□	1.0μH±10%	1MHz	175mA	0.49ohm±30%	35	10MHz	100MHz
LQH31MN1R2J03□	1.2μH±5%	1MHz	165mA	0.37ohm±30%	35	10MHz	90MHz
LQH31MN1R2K03□	1.2μH±10%	1MHz	165mA	0.9ohm±30%	35	10MHz	90MHz
LQH31MN1R5J03□	1.5μH±5%	1MHz	155mA	1.0ohm±30%	35	10MHz	75MHz
LQH31MN1R5K03□	1.5μH±10%	1MHz	155mA	1.0ohm±30%	35	10MHz	75MHz
LQH31MN1R8J03□	1.8μH±5%	1MHz	150mA	1.6ohm±30%	35	10MHz	60MHz
LQH31MN1R8K03□	1.8μH±10%	1MHz	150mA	1.6ohm±30%	35	10MHz	60MHz
LQH31MN2R2J03□	2.2μH±5%	1MHz	140mA	0.7ohm±30%	35	10MHz	50MHz
LQH31MN2R2K03□	2.2μH±10%	1MHz	140mA	0.7ohm±30%	35	10MHz	50MHz
LQH31MN2R7J03□	2.7μH±5%	1MHz	135mA	0.55ohm±30%	35	10MHz	43MHz
LQH31MN2R7K03□	2.7μH±10%	1MHz	135mA	0.55ohm±30%	35	10MHz	43MHz
LQH31MN3R3J03□	3.3μH±5%	1MHz	130mA	0.61ohm±30%	35	8MHz	38MHz
LQH31MN3R3K03□	3.3μH±10%	1MHz	130mA	0.61ohm±30%	35	8MHz	38MHz
LQH31MN3R9J03□	3.9μH±5%	1MHz	125mA	1.5ohm±30%	35	8MHz	35MHz
LQH31MN3R9K03□	3.9μH±10%	1MHz	125mA	1.5ohm±30%	35	8MHz	35MHz
LQH31MN4R7J03□	4.7μH±5%	1MHz	120mA	1.7ohm±30%	35	8MHz	31MHz
LQH31MN4R7K03□	4.7μH±10%	1MHz	120mA	1.7ohm±30%	35	8MHz	31MHz
LQH31MN5R6J03□	5.6μH±5%	1MHz	115mA	1.8ohm±30%	35	8MHz	28MHz
LQH31MN5R6K03□	5.6μH±10%	1MHz	115mA	1.8ohm±30%	35	8MHz	28MHz
LQH31MN6R8J03□	6.8μH±5%	1MHz	110mA	2.0ohm±30%	35	8MHz	25MHz
LQH31MN6R8K03□	6.8μH±10%	1MHz	110mA	2.0ohm±30%	35	8MHz	25MHz
LQH31MN8R2J03□	8.2μH±5%	1MHz	105mA	2.2ohm±30%	35	8MHz	23MHz
LQH31MN8R2K03□	8.2μH±10%	1MHz	105mA	2.2ohm±30%	35	8MHz	23MHz

Class of Magnetic Shield: No magnetic shield    Operating Temperature Range: -40°C to +85°C

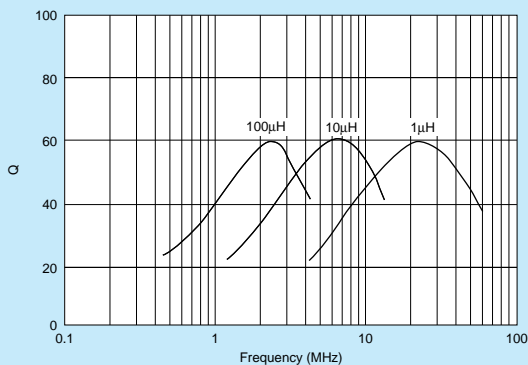
Continued on the following page. ↗

△Note • Please read rating and △CAUTION (for storage, operating, rating, soldering, mounting and handling) in this catalog to prevent smoking and/or burning, etc.  
• This catalog has only typical specifications because there is no space for detailed specifications. Therefore, please review our product specifications or consult the approval sheet for product specifications before ordering.

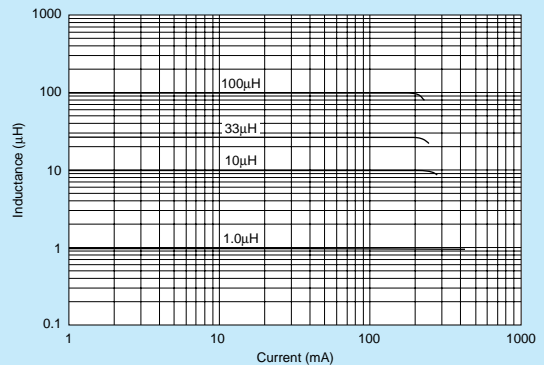
Part Number	Inductance	Test Frequency	Rated Current	DC Resistance	Q (min.)	Test Frequency	Self Resonance Frequency (min.)
LQH31MN100J03□	10μH±5%	1MHz	100mA	2.5ohm±30%	35	5MHz	20MHz
LQH31MN100K03□	10μH±10%	1MHz	100mA	2.5ohm±30%	35	5MHz	20MHz
LQH31MN120J03□	12μH±5%	1MHz	95mA	2.7ohm±30%	35	5MHz	18MHz
LQH31MN120K03□	12μH±10%	1MHz	95mA	2.7ohm±30%	35	5MHz	18MHz
LQH31MN150J03□	15μH±5%	1MHz	90mA	3.0ohm±30%	35	5MHz	16MHz
LQH31MN150K03□	15μH±10%	1MHz	90mA	3.0ohm±30%	35	5MHz	16MHz
LQH31MN180J03□	18μH±5%	1MHz	85mA	3.4ohm±30%	35	5MHz	15MHz
LQH31MN180K03□	18μH±10%	1MHz	85mA	3.4ohm±30%	35	5MHz	15MHz
LQH31MN220J03□	22μH±5%	1MHz	85mA	3.1ohm±30%	40	2.5MHz	14MHz
LQH31MN220K03□	22μH±10%	1MHz	85mA	3.1ohm±30%	40	2.5MHz	14MHz
LQH31MN270J03□	27μH±5%	1MHz	85mA	3.4ohm±30%	40	2.5MHz	13MHz
LQH31MN270K03□	27μH±10%	1MHz	85mA	3.4ohm±30%	40	2.5MHz	13MHz
LQH31MN330J03□	33μH±5%	1MHz	80mA	3.8ohm±30%	40	2.5MHz	12MHz
LQH31MN330K03□	33μH±10%	1MHz	80mA	3.8ohm±30%	40	2.5MHz	12MHz
LQH31MN390J03□	39μH±5%	1MHz	55mA	7.2ohm±30%	40	2.5MHz	11MHz
LQH31MN390K03□	39μH±10%	1MHz	55mA	7.2ohm±30%	40	2.5MHz	11MHz
LQH31MN470J03□	47μH±5%	1MHz	55mA	8.0ohm±30%	40	2.5MHz	10MHz
LQH31MN470K03□	47μH±10%	1MHz	55mA	8.0ohm±30%	40	2.5MHz	10MHz
LQH31MN560J03□	56μH±5%	1MHz	50mA	8.9ohm±30%	40	2.5MHz	9MHz
LQH31MN560K03□	56μH±10%	1MHz	50mA	8.9ohm±30%	40	2.5MHz	9MHz
LQH31MN680J03□	68μH±5%	1MHz	50mA	9.9ohm±30%	40	2.5MHz	8.5MHz
LQH31MN680K03□	68μH±10%	1MHz	50mA	9.9ohm±30%	40	2.5MHz	8.5MHz
LQH31MN820J03□	82μH±5%	1MHz	45mA	11ohm±30%	40	2.5MHz	7.5MHz
LQH31MN820K03□	82μH±10%	1MHz	45mA	11ohm±30%	40	2.5MHz	7.5MHz
LQH31MN101J03□	100μH±5%	1MHz	45mA	12ohm±30%	40	2.5MHz	7MHz
LQH31MN101K03□	100μH±10%	1MHz	45mA	12ohm±30%	40	2.5MHz	7MHz

Class of Magnetic Shield: No magnetic shield    Operating Temperature Range: -40°C to +85°C

■ Q-Frequency Characteristics (Typ.)



■ Inductance-Current Characteristics (Typ.)

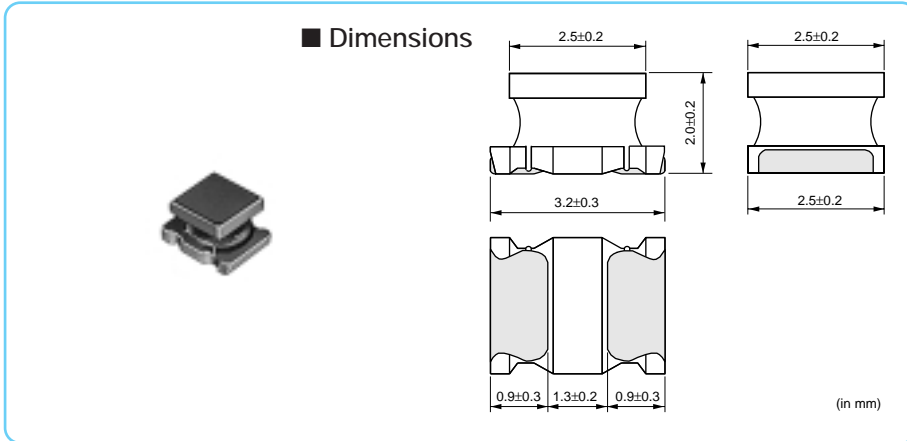


△Note • Please read rating and △CAUTION (for storage, operating, rating, soldering, mounting and handling) in this catalog to prevent smoking and/or burning, etc.  
 • This catalog has only typical specifications because there is no space for detailed specifications. Therefore, please review our product specifications or consult the approval sheet for product specifications before ordering.

Inductor for Power Lines (Power Inductor)  
 Inductor for Low Frequency Circuits  
 Wire Wound Magnetic Type  
 RF Inductor



## 1210 Size, Wound Type



### ■ Packaging

Code	Packaging	Minimum Quantity
L	180mm Embossed Tape	2000
K	330mm Embossed Tape	7500

Refer to pages from p.107 to p.110 for mounting information.

### ■ Rated Value (□: packaging code)

Part Number	Inductance	Test Frequency	Rated Current	Max. of DC Resistance	Q (min.)	Test Frequency	Self Resonance Frequency (min.)	
LQH32MN1R0M23□	1.0μH±20%	1MHz	445mA	0.5ohm	20	1MHz	100MHz	Kit
LQH32MN1R2M23□	1.2μH±20%	1MHz	425mA	0.6ohm	20	1MHz	100MHz	Kit
LQH32MN1R5K23□	1.5μH±10%	1MHz	400mA	0.6ohm	20	1MHz	75MHz	Kit
LQH32MN1R8K23□	1.8μH±10%	1MHz	390mA	0.7ohm	20	1MHz	60MHz	Kit
LQH32MN2R2K23□	2.2μH±10%	1MHz	370mA	0.8ohm	20	1MHz	50MHz	Kit
LQH32MN2R7K23□	2.7μH±10%	1MHz	320mA	0.9ohm	20	1MHz	43MHz	Kit
LQH32MN3R3K23□	3.3μH±10%	1MHz	300mA	1.0ohm	20	1MHz	38MHz	Kit
LQH32MN3R9K23□	3.9μH±10%	1MHz	290mA	1.1ohm	20	1MHz	35MHz	Kit
LQH32MN4R7K23□	4.7μH±10%	1MHz	270mA	1.2ohm	20	1MHz	31MHz	Kit
LQH32MN5R6K23□	5.6μH±10%	1MHz	250mA	1.3ohm	20	1MHz	28MHz	Kit
LQH32MN6R8K23□	6.8μH±10%	1MHz	240mA	1.5ohm	20	1MHz	25MHz	Kit
LQH32MN8R2K23□	8.2μH±10%	1MHz	225mA	1.6ohm	20	1MHz	23MHz	Kit
LQH32MN100J23□	10μH±5%	1MHz	190mA	1.8ohm	35	1MHz	20MHz	
LQH32MN100K23□	10μH±10%	1MHz	190mA	1.8ohm	35	1MHz	20MHz	Kit
LQH32MN120J23□	12μH±5%	1MHz	180mA	2.0ohm	35	1MHz	18MHz	
LQH32MN120K23□	12μH±10%	1MHz	180mA	2.0ohm	35	1MHz	18MHz	Kit
LQH32MN150J23□	15μH±5%	1MHz	170mA	2.2ohm	35	1MHz	16MHz	
LQH32MN150K23□	15μH±10%	1MHz	170mA	2.2ohm	35	1MHz	16MHz	Kit
LQH32MN180J23□	18μH±5%	1MHz	165mA	2.5ohm	35	1MHz	15MHz	
LQH32MN180K23□	18μH±10%	1MHz	165mA	2.5ohm	35	1MHz	15MHz	Kit
LQH32MN220J23□	22μH±5%	1MHz	150mA	2.8ohm	35	1MHz	14MHz	
LQH32MN220K23□	22μH±10%	1MHz	150mA	2.8ohm	35	1MHz	14MHz	Kit
LQH32MN270J23□	27μH±5%	1MHz	125mA	3.1ohm	35	1MHz	13MHz	
LQH32MN270K23□	27μH±10%	1MHz	125mA	3.1ohm	35	1MHz	13MHz	Kit
LQH32MN330J23□	33μH±5%	1MHz	115mA	3.5ohm	40	1MHz	12MHz	
LQH32MN330K23□	33μH±10%	1MHz	115mA	3.5ohm	40	1MHz	12MHz	Kit
LQH32MN390J23□	39μH±5%	1MHz	110mA	3.9ohm	40	1MHz	11MHz	
LQH32MN390K23□	39μH±10%	1MHz	110mA	3.9ohm	40	1MHz	11MHz	Kit
LQH32MN470J23□	47μH±5%	1MHz	100mA	4.3ohm	40	1MHz	11MHz	
LQH32MN470K23□	47μH±10%	1MHz	100mA	4.3ohm	40	1MHz	11MHz	Kit

Class of Magnetic Shield: No magnetic shield    Operating Temperature Range: -40°C to +85°C

Continued on the following page. ↗

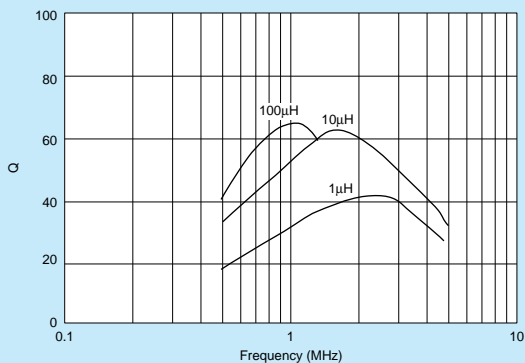
△Note • Please read rating and △CAUTION (for storage, operating, rating, soldering, mounting and handling) in this catalog to prevent smoking and/or burning, etc.  
• This catalog has only typical specifications because there is no space for detailed specifications. Therefore, please review our product specifications or consult the approval sheet for product specifications before ordering.



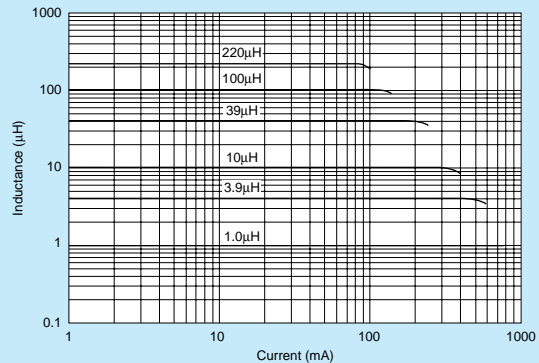
Part Number	Inductance	Test Frequency	Rated Current	Max. of DC Resistance	Q (min.)	Test Frequency	Self Resonance Frequency (min.)	
LQH32MN560J23□	56μH±5%	1MHz	85mA	4.9ohm	40	1MHz	10MHz	
LQH32MN560K23□	56μH±10%	1MHz	85mA	4.9ohm	40	1MHz	10MHz	Kit
LQH32MN680J23□	68μH±5%	1MHz	80mA	5.5ohm	40	1MHz	9MHz	
LQH32MN680K23□	68μH±10%	1MHz	80mA	5.5ohm	40	1MHz	9MHz	Kit
LQH32MN820J23□	82μH±5%	1MHz	70mA	6.2ohm	40	1MHz	8.5MHz	
LQH32MN820K23□	82μH±10%	1MHz	70mA	6.2ohm	40	1MHz	8.5MHz	Kit
LQH32MN101J23□	100μH±5%	1MHz	80mA	7.0ohm	40	796kHz	8MHz	
LQH32MN101K23□	100μH±10%	1MHz	80mA	7.0ohm	40	796kHz	8MHz	Kit
LQH32MN121J23□	120μH±5%	1MHz	75mA	8.0ohm	40	796kHz	7.5MHz	
LQH32MN121K23□	120μH±10%	1MHz	75mA	8.0ohm	40	796kHz	7.5MHz	Kit
LQH32MN151J23□	150μH±5%	1MHz	70mA	9.3ohm	40	796kHz	7MHz	
LQH32MN151K23□	150μH±10%	1MHz	70mA	9.3ohm	40	796kHz	7MHz	Kit
LQH32MN181J23□	180μH±5%	1MHz	65mA	10.2ohm	40	796kHz	6MHz	
LQH32MN181K23□	180μH±10%	1MHz	65mA	10.2ohm	40	796kHz	6MHz	Kit
LQH32MN221J23□	220μH±5%	1MHz	65mA	11.8ohm	40	796kHz	5.5MHz	
LQH32MN221K23□	220μH±10%	1MHz	65mA	11.8ohm	40	796kHz	5.5MHz	Kit
LQH32MN271J23□	270μH±5%	1MHz	65mA	12.5ohm	40	796kHz	5MHz	
LQH32MN271K23□	270μH±10%	1MHz	65mA	12.5ohm	40	796kHz	5MHz	Kit
LQH32MN331J23□	330μH±5%	1MHz	65mA	13.0ohm	40	796kHz	5MHz	
LQH32MN331K23□	330μH±10%	1MHz	65mA	13.0ohm	40	796kHz	5MHz	Kit
LQH32MN391J23□	390μH±5%	1MHz	50mA	22.0ohm	50	796kHz	5MHz	
LQH32MN391K23□	390μH±10%	1MHz	50mA	22.0ohm	50	796kHz	5MHz	Kit
LQH32MN471J23□	470μH±5%	1kHz	45mA	25.0ohm	50	796kHz	5MHz	
LQH32MN471K23□	470μH±10%	1kHz	45mA	25.0ohm	50	796kHz	5MHz	Kit
LQH32MN561J23□	560μH±5%	1kHz	40mA	28.0ohm	50	796kHz	5MHz	
LQH32MN561K23□	560μH±10%	1kHz	40mA	28.0ohm	50	796kHz	5MHz	Kit

Class of Magnetic Shield: No magnetic shield    Operating Temperature Range: -40°C to +85°C

■ Q-Frequency Characteristics (Typ.)



■ Inductance-Current Characteristics (Typ.)



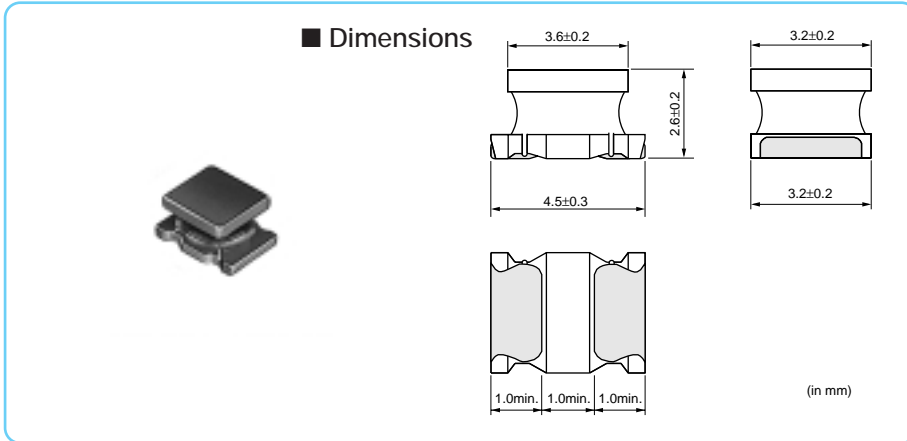
△Note • Please read rating and △CAUTION (for storage, operating, rating, soldering, mounting and handling) in this catalog to prevent smoking and/or burning, etc.  
• This catalog has only typical specifications because there is no space for detailed specifications. Therefore, please review our product specifications or consult the approval sheet for product specifications before ordering.



# LQH43M/LQH43N Series (1812 Size)



## 1812 Size, Wound Type



■ Packaging

Code	Packaging	Minimum Quantity
L	180mm Embossed Tape	500
K	330mm Embossed Tape	2500

Refer to pages from p.107 to p.110 for mounting information.

■ Rated Value (□: packaging code)

Part Number	Inductance	Test Frequency	Rated Current	Max. of DC Resistance	Q (min.)	Test Frequency	Self Resonance Frequency (min.)	
LQH43MN1R0M03□	1.0μH±20%	1MHz	500mA	0.20ohm	20	1MHz	120MHz	Kit
LQH43MN1R2M03□	1.2μH±20%	1MHz	500mA	0.20ohm	20	1MHz	100MHz	Kit
LQH43MN1R5M03□	1.5μH±20%	1MHz	500mA	0.30ohm	20	1MHz	85MHz	Kit
LQH43MN1R8M03□	1.8μH±20%	1MHz	500mA	0.30ohm	20	1MHz	75MHz	Kit
LQH43MN2R2M03□	2.2μH±20%	1MHz	500mA	0.30ohm	20	1MHz	62MHz	Kit
LQH43MN2R7M03□	2.7μH±20%	1MHz	500mA	0.32ohm	20	1MHz	53MHz	Kit
LQH43MN3R3M03□	3.3μH±20%	1MHz	500mA	0.35ohm	20	1MHz	47MHz	Kit
LQH43MN3R9M03□	3.9μH±20%	1MHz	500mA	0.38ohm	20	1MHz	41MHz	Kit
LQH43MN4R7K03□	4.7μH±10%	1MHz	500mA	0.40ohm	30	1MHz	38MHz	Kit
LQH43MN5R6K03□	5.6μH±10%	1MHz	500mA	0.47ohm	30	1MHz	33MHz	Kit
LQH43MN6R8K03□	6.8μH±10%	1MHz	450mA	0.50ohm	30	1MHz	31MHz	Kit
LQH43MN8R2K03□	8.2μH±10%	1MHz	450mA	0.56ohm	30	1MHz	27MHz	Kit
LQH43MN100J03□	10μH±5%	1MHz	400mA	0.56ohm	35	1MHz	23MHz	
LQH43MN100K03□	10μH±10%	1MHz	400mA	0.56ohm	35	1MHz	23MHz	Kit
LQH43MN120J03□	12μH±5%	1MHz	380mA	0.62ohm	35	1MHz	21MHz	
LQH43MN120K03□	12μH±10%	1MHz	380mA	0.62ohm	35	1MHz	21MHz	Kit
LQH43MN150J03□	15μH±5%	1MHz	360mA	0.73ohm	35	1MHz	19MHz	
LQH43MN150K03□	15μH±10%	1MHz	360mA	0.73ohm	35	1MHz	19MHz	Kit
LQH43MN180J03□	18μH±5%	1MHz	340mA	0.82ohm	35	1MHz	17MHz	
LQH43MN180K03□	18μH±10%	1MHz	340mA	0.82ohm	35	1MHz	17MHz	Kit
LQH43MN220J03□	22μH±5%	1MHz	320mA	0.94ohm	35	1MHz	15MHz	
LQH43MN220K03□	22μH±10%	1MHz	320mA	0.94ohm	35	1MHz	15MHz	Kit
LQH43MN270J03□	27μH±5%	1MHz	300mA	1.1ohm	35	1MHz	14MHz	
LQH43MN270K03□	27μH±10%	1MHz	300mA	1.1ohm	35	1MHz	14MHz	Kit
LQH43MN330J03□	33μH±5%	1MHz	270mA	1.2ohm	35	1MHz	12MHz	
LQH43MN330K03□	33μH±10%	1MHz	270mA	1.2ohm	35	1MHz	12MHz	Kit
LQH43MN390J03□	39μH±5%	1MHz	240mA	1.4ohm	35	1MHz	11MHz	
LQH43MN390K03□	39μH±10%	1MHz	240mA	1.4ohm	35	1MHz	11MHz	Kit
LQH43MN470J03□	47μH±5%	1MHz	220mA	1.5ohm	35	1MHz	10MHz	
LQH43MN470K03□	47μH±10%	1MHz	220mA	1.5ohm	35	1MHz	10MHz	Kit


Class of Magnetic Shield: No magnetic shield    Operating Temperature Range: -40°C to +85°C

Continued on the following page. ↗

△Note • Please read rating and △CAUTION (for storage, operating, rating, soldering, mounting and handling) in this catalog to prevent smoking and/or burning, etc.  
 • This catalog has only typical specifications because there is no space for detailed specifications. Therefore, please review our product specifications or consult the approval sheet for product specifications before ordering.

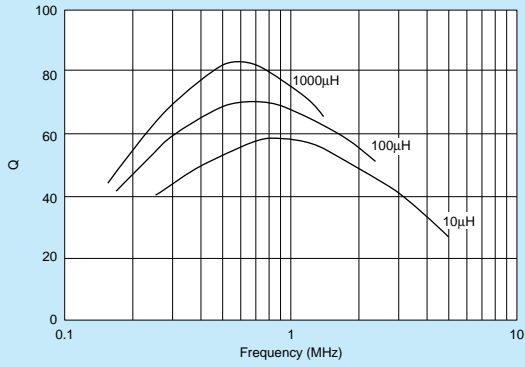
Part Number	Inductance	Test Frequency	Rated Current	Max. of DC Resistance	Q (min.)	Test Frequency	Self Resonance Frequency (min.)	
LQH43MN560J03□	56μH±5%	1MHz	200mA	1.7ohm	35	1MHz	9.3MHz	
LQH43MN560K03□	56μH±10%	1MHz	200mA	1.7ohm	35	1MHz	9.3MHz	Kit
LQH43MN680J03□	68μH±5%	1MHz	180mA	1.9ohm	35	1MHz	8.4MHz	
LQH43MN680K03□	68μH±10%	1MHz	180mA	1.9ohm	35	1MHz	8.4MHz	Kit
LQH43MN820J03□	82μH±5%	1MHz	170mA	2.2ohm	35	1MHz	7.5MHz	
LQH43MN820K03□	82μH±10%	1MHz	170mA	2.2ohm	35	1MHz	7.5MHz	Kit
LQH43MN101J03□	100μH±5%	1MHz	160mA	2.5ohm	40	796kHz	6.8MHz	
LQH43MN101K03□	100μH±10%	1MHz	160mA	2.5ohm	40	796kHz	6.8MHz	Kit
LQH43MN121J03□	120μH±5%	1MHz	150mA	3.0ohm	40	796kHz	6.2MHz	
LQH43MN121K03□	120μH±10%	1MHz	150mA	3.0ohm	40	796kHz	6.2MHz	Kit
LQH43MN151J03□	150μH±5%	1MHz	130mA	3.7ohm	40	796kHz	5.5MHz	
LQH43MN151K03□	150μH±10%	1MHz	130mA	3.7ohm	40	796kHz	5.5MHz	Kit
LQH43MN181J03□	180μH±5%	1MHz	120mA	4.5ohm	40	796kHz	5MHz	
LQH43MN181K03□	180μH±10%	1MHz	120mA	4.5ohm	40	796kHz	5MHz	Kit
LQH43MN221J03□	220μH±5%	1MHz	110mA	5.4ohm	40	796kHz	4.5MHz	
LQH43MN221K03□	220μH±10%	1MHz	110mA	5.4ohm	40	796kHz	4.5MHz	Kit
LQH43MN271J03□	270μH±5%	1MHz	100mA	6.8ohm	40	796kHz	4MHz	
LQH43MN271K03□	270μH±10%	1MHz	100mA	6.8ohm	40	796kHz	4MHz	Kit
LQH43MN331J03□	330μH±5%	1MHz	95mA	8.2ohm	40	796kHz	3.6MHz	
LQH43MN331K03□	330μH±10%	1MHz	95mA	8.2ohm	40	796kHz	3.6MHz	Kit
LQH43MN391J03□	390μH±5%	1MHz	90mA	9.7ohm	40	796kHz	3.3MHz	
LQH43MN391K03□	390μH±10%	1MHz	90mA	9.7ohm	40	796kHz	3.3MHz	Kit
LQH43MN471J03□	470μH±5%	1kHz	80mA	11.8ohm	40	796kHz	3MHz	
LQH43MN471K03□	470μH±10%	1kHz	80mA	11.8ohm	40	796kHz	3MHz	Kit
LQH43MN561J03□	560μH±5%	1kHz	70mA	14.5ohm	40	796kHz	2.7MHz	
LQH43MN561K03□	560μH±10%	1kHz	70mA	14.5ohm	40	796kHz	2.7MHz	Kit
LQH43MN681J03□	680μH±5%	1kHz	65mA	17.0ohm	40	796kHz	2.5MHz	
LQH43MN681K03□	680μH±10%	1kHz	65mA	17.0ohm	40	796kHz	2.5MHz	Kit
LQH43MN821J03□	820μH±5%	1kHz	60mA	20.5ohm	40	796kHz	2.2MHz	
LQH43MN821K03□	820μH±10%	1kHz	60mA	20.5ohm	40	796kHz	2.2MHz	Kit
LQH43MN102J03□	1000μH±5%	1kHz	50mA	25.0ohm	40	252kHz	2MHz	
LQH43MN102K03□	1000μH±10%	1kHz	50mA	25.0ohm	40	252kHz	2MHz	Kit
LQH43MN122J03□	1200μH±5%	1kHz	45mA	30.0ohm	40	252kHz	1.8MHz	
LQH43MN122K03□	1200μH±10%	1kHz	45mA	30.0ohm	40	252kHz	1.8MHz	Kit
LQH43MN152J03□	1500μH±5%	1kHz	40mA	37.0ohm	40	252kHz	1.6MHz	
LQH43MN152K03□	1500μH±10%	1kHz	40mA	37.0ohm	40	252kHz	1.6MHz	Kit
LQH43NN182J03□	1800μH±5%	1kHz	35mA	45.0ohm	40	252kHz	1.5MHz	
LQH43NN182K03□	1800μH±10%	1kHz	35mA	45.0ohm	40	252kHz	1.5MHz	Kit
LQH43NN222J03□	2200μH±5%	1kHz	30mA	50.0ohm	40	252kHz	1.3MHz	
LQH43NN222K03□	2200μH±10%	1kHz	30mA	50.0ohm	40	252kHz	1.3MHz	Kit

Class of Magnetic Shield: No magnetic shield    Operating Temperature Range: -40°C to +85°C

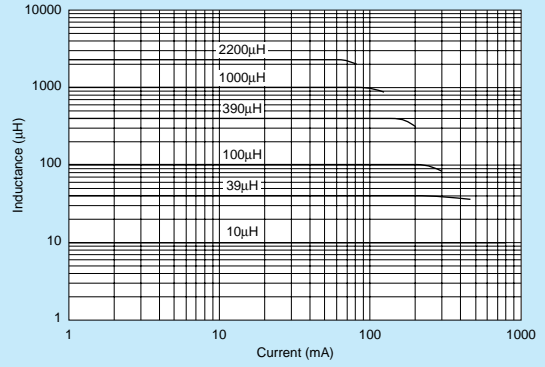
Continued on the following page. 

△Note • Please read rating and △CAUTION (for storage, operating, rating, soldering, mounting and handling) in this catalog to prevent smoking and/or burning, etc.  
• This catalog has only typical specifications because there is no space for detailed specifications. Therefore, please review our product specifications or consult the approval sheet for product specifications before ordering.

■ Q-Frequency Characteristics (Typ.)



■ Inductance-Current Characteristics (Typ.)



Inductor for Power Lines (Power Inductor)

Wire Wound Magnetic Type  
Inductor for Low Frequency Circuits

RF Inductor

△Note • Please read rating and △CAUTION (for storage, operating, rating, soldering, mounting and handling) in this catalog to prevent smoking and/or burning, etc.  
 • This catalog has only typical specifications because there is no space for detailed specifications. Therefore, please review our product specifications or consult the approval sheet for product specifications before ordering.

## ⚠Caution

### ● Rating

Do not use products beyond the rated current as this may create excessive heat.

## Notice

### ● Storage and Operating Condition

#### <Operating Environment>

Do not use products in chemical atmosphere such as chlorine gas, acid or sulfide gas.

#### <Storage Requirements>

#### 1. Storage Period

LQM series should be used within 6 months; the other products should be used within 12 months. Check solderability if this period is exceeded.

#### 2. Storage Conditions

(1) Store products in a warehouse in compliance with the following conditions:

Temperature: -10 to +40 degrees C.

Humidity: 15 to 85% (relative humidity)

Do not subject products to rapid changes in temperature and humidity.

Do not store them in chemical atmosphere such as one containing sulfurous acid gas or alkaline gas.

This will prevent electrode oxidation which causes poor solderability and possible corrosion of inductors.

(2) Do not store products in bulk packaging to prevent collision among inductors which causes core chipping and wire breakage.

(3) Store products on pallets to protect from humidity, dust, etc.

(4) Avoid heat shock, vibration, direct sunlight, etc.

### ● Handling

This item is designed to have sufficient strength, but handle with care to avoid chipping or breaking its ceramic structure.

#### LQH\_M/N series

- To prevent breaking the wire, avoid touching with sharp material, such as tweezers or other material such as bristles of cleaning brush, to the wire wound portion of this product.
- To prevent breaking the core, avoid applying excessive mechanical shock to products mounted on the board.

#### LQM series

- There is the possibility that magnetism may change the inductance value. Do not use a magnet or tweezers with magnetism when handling chip inductors. (The tip of the tweezers should be molded with resin or pottery.)
- When the excessive current over rated current is applied, it may cause the inductance value to change due to magnetism.

#### <Handling>

1. Avoid applying excessive stress to products to prevent damage.
2. Do not touch wire wound with sharp objects such as tweezers to prevent wire breakage.
3. Do not apply excessive force to products mounted on boards to prevent core breakage.

#### <Transportation>

Do not apply excessive vibration or mechanical shock to products.

#### <Resin Coating>

When coating products with resin, the relatively high resin curing stress may change inductance values. For exterior coating, select resin carefully so that electrical and mechanical performance of the product is not affected. Prior to use, please evaluate reliability with the product mounted in your application set.

#### (LQH series)

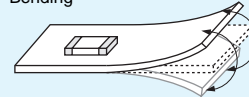
An open circuit issue may occur by mechanical stress caused by the resin, amount/cured shape of resin, or operating condition etc. Some resins containing impurities or chloride may possibly generate chlorine by hydrolysis under some operating condition may cause corrosion of wire of inductor, leading to open circuit.

#### <Handling of a Substrate>

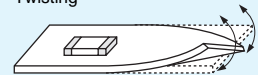
After mounting products on a substrate, do not apply any stress to the product caused by bending or twisting to the substrate when cropping the substrate, inserting and removing a connector from the substrate or tightening a screw to the substrate.

Excessive mechanical stress may cause cracking in the Product.

Bending



Twisting



1. Standard Land Pattern Dimensions

A high Q value is achieved when the PCB electrode land pattern is designed so that it does not project beyond the chip inductor (chip coil) electrode.



Series	Standard Land Dimensions																					
LQM18N LQM21N LQH31M		<table border="1"> <thead> <tr> <th>Part Number</th> <th>a</th> <th>b</th> <th>c</th> </tr> </thead> <tbody> <tr> <td rowspan="2">LQM18N</td> <td>Flow</td> <td rowspan="2">0.7</td> <td>2.2-2.6</td> </tr> <tr> <td>Reflow</td> <td>1.8-2.0</td> </tr> <tr> <td>LQM21N</td> <td>1.0</td> <td>3.0-4.0</td> <td>1.2</td> </tr> <tr> <td>LQH31M</td> <td>1.5</td> <td>4.5</td> <td>1.0</td> </tr> </tbody> </table>			Part Number	a	b	c	LQM18N	Flow	0.7	2.2-2.6	Reflow	1.8-2.0	LQM21N	1.0	3.0-4.0	1.2	LQH31M	1.5	4.5	1.0
		Part Number	a	b	c																	
LQM18N	Flow	0.7	2.2-2.6																			
	Reflow		1.8-2.0																			
LQM21N	1.0	3.0-4.0	1.2																			
LQH31M	1.5	4.5	1.0																			
LQH32M																						
LQH43M LQH43N																						

Attention should be paid to potential magnetic coupling effects when using the inductor (coil) as a resonator.

2. Standard Soldering Conditions

(1) Soldering method

Chip inductor (Chip coils) can be flow or reflow soldered.  
Please contact Murata regarding other soldering methods.

Solder: Use Sn-3.0Ag-0.5Cu solder.

Flux: Use rosin-based flux, but not strongly acidic flux (with chlorine content exceeding 0.2wt%).

Do not use water-soluble flux.

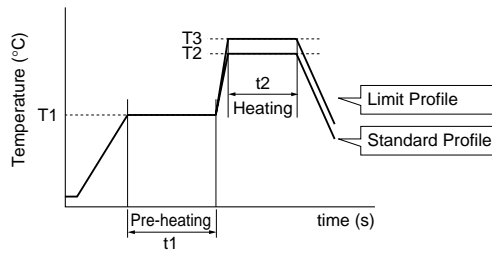
For additional mounting methods, please contact Murata.

Continued on the following page.

⚠Note • Please read rating and ⚠CAUTION (for storage, operating, rating, soldering, mounting and handling) in this catalog to prevent smoking and/or burning, etc.  
• This catalog has only typical specifications because there is no space for detailed specifications. Therefore, please review our product specifications or consult the approval sheet for product specifications before ordering.

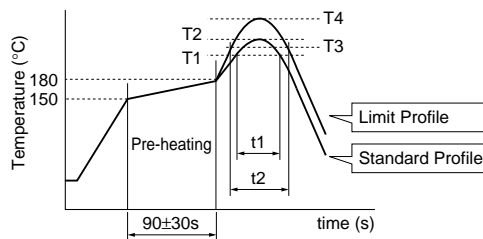
(2) Soldering profile

- Flow Soldering profile (Sn-3.0Ag-0.5Cu solder)



Series	Pre-heating		Standard Profile			Limit Profile		
	Temp. (T1)	Time. (t1)	Temp. (T2)	Time. (t2)	Cycle of flow	Temp. (T3)	Time. (t2)	Cycle of flow
LQM18N LQM21N LQH31M	150°C	60s min.	250°C	4 to 6s	2 times max.	265±3°C	5s max.	2 times max.
LQH32M LQH43M(N)	150°C	60s min.	250°C	4 to 6s	2 times max.	265±3°C	5s max.	1 times

- Reflow Soldering profile (Sn-3.0Ag-0.5Cu solder)



Series	Standard Profile				Limit Profile			
	Temp. (T1)	Time. (t1)	Peak temperature (T2)	Cycle of reflow	Temp. (T3)	Time. (t2)	Peak temperature (T4)	Cycle of reflow
LQM18N LQM21N LQH31M	220°C	30 to 60s	245±3°C	2 times max.	230°C	60s max.	260°C/10s	2 times max.
LQH32M LQH43M(N)	220°C	30 to 60s	245±3°C	2 times max.	230°C	60s max.	260°C/10s	1 time

(3) Reworking with Soldering Iron

Preheating at 150°C for 1 minute is required. Do not directly touch the ceramic element with the tip of the soldering iron. The reworking soldering conditions are as follows:

Soldering iron power output: 80W max.  
 Temperature of soldering iron tip: 350°C  
 Diameter of soldering iron end: 3.0mm max.  
 Soldering time: within 3 s

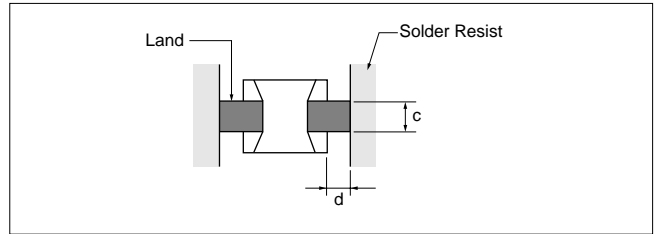
Continued on the following page.

△Note • Please read rating and △CAUTION (for storage, operating, rating, soldering, mounting and handling) in this catalog to prevent smoking and/or burning, etc.  
 • This catalog has only typical specifications because there is no space for detailed specifications. Therefore, please review our product specifications or consult the approval sheet for product specifications before ordering.

3. Mounting Instructions

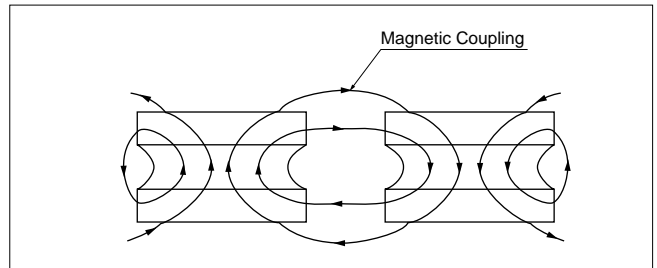
(1) Land Pattern Dimensions

Large lands reduce Q of the mounted chip. Also, large protruding land areas (bordered by lines having dimensions 'c' and 'd' shown) cause floating and electrode leaching.



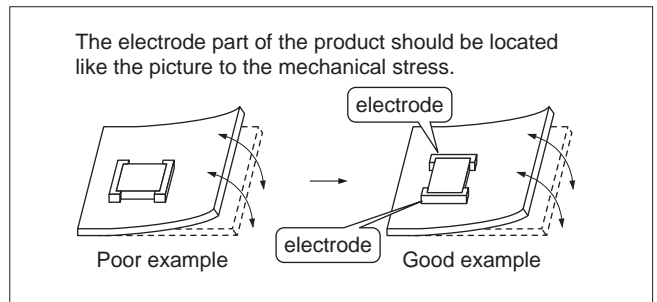
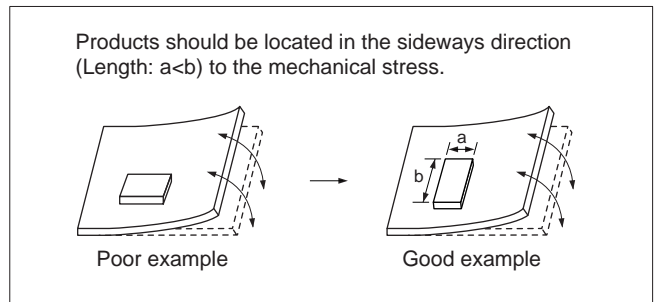
(2) Magnetic Coupling

Since some chip inductors (chip coils) are constructed like an open magnetic circuit, narrow spacing between inductors (coils) may cause magnetic coupling. LQM series have a magnetically shielded structure. The structure makes their coupling coefficient smaller than that of conventional chip inductors (chip coils).



(3) PCB Warping

PCB should be designed so that products are not subjected to the mechanical stress caused by warping the board.

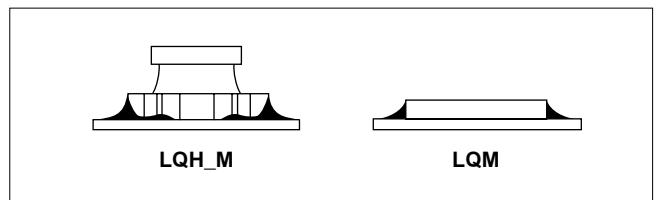


(4) Amount of Solder Paste

Excessive solder causes electrode corrosion, while insufficient solder causes low electrode bonding strength. Adjust the amount of solder paste as shown on the right so that solder is applied.

● Guideline of solder paste thickness

- LQM: 100 to 150 $\mu$ m
- LQHs except for ones written above: 200 to 300 $\mu$ m




Continued on the following page.

△Note • Please read rating and △CAUTION (for storage, operating, rating, soldering, mounting and handling) in this catalog to prevent smoking and/or burning, etc.  
• This catalog has only typical specifications because there is no space for detailed specifications. Therefore, please review our product specifications or consult the approval sheet for product specifications before ordering.



(5) Amount of Adhesive

If too much adhesive is applied, then it may overflow into the land or termination areas and yield poor solderability. In contrast, if insufficient adhesive is applied, or if the adhesive is not sufficiently hardened, then the chip may become detached during flow soldering. Apply the adhesive in accordance with the conditions shown in chart.



Part Number	Typical Application Amount (in:mg)
	IR-100
LQM18N	0.06-0.07
LQM21N	0.20-0.25
LQH31M	0.20-0.25
LQH32M	0.27-0.35
LQH43M(N)	0.60-0.80

**4. Cleaning**

The following conditions should be observed when cleaning chip inductors (chip coils):

- (1) Cleaning Temperature: 60°C max. (40°C max. for alcohol cleaning agents)
- (2) Ultrasonic
  - Output: 20W/l max.
  - Duration: 5 minutes max.
  - Frequency: 28 to 40kHz
  - Care should be taken not to cause resonance of the PCB and mounted products.
- (3) Cleaning agent
  - The following cleaning agents have been tested on individual components. Evaluation in complete assembly should be done prior to production.
  - (a) Alcohol cleaning agents
    - Isopropyl alcohol (IPA)
  - (b) Aqueous cleaning agents
    - Pine Alpha ST-100S

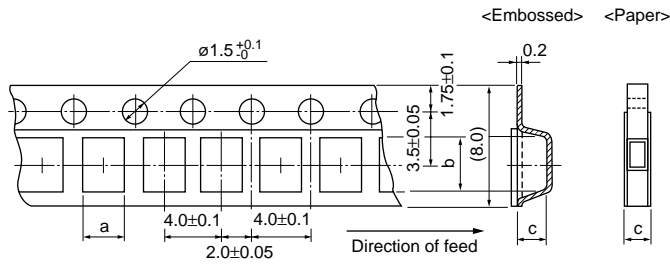
- (4) Ensure that flux residue is completely removed. Component should be thoroughly dried after aqueous agents have been removed with deionized water.

For additional cleaning methods, please contact Murata.

△Note • Please read rating and △CAUTION (for storage, operating, rating, soldering, mounting and handling) in this catalog to prevent smoking and/or burning, etc.  
 • This catalog has only typical specifications because there is no space for detailed specifications. Therefore, please review our product specifications or consult the approval sheet for product specifications before ordering.



## ■ Minimum Quantity and 8mm Width Taping Dimensions



Dimension of the cavity of embossed tape is measured at the bottom side.

### Paper Tape

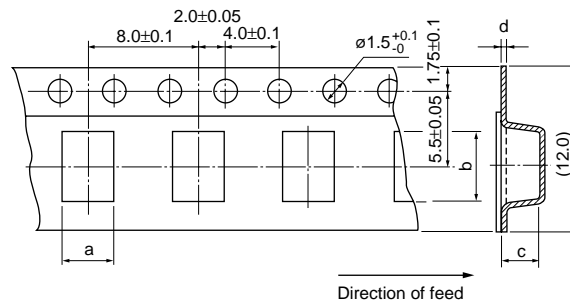
Part Number	Dimensions		Total Thickness of Tape	Packaging Code (Minimum Qty. [pcs.])		
	a	b		c	ø180mm reel	ø330mm reel
<b>LQM21N</b> (0.1-2.2μH)	1.45	2.25	1.1 max.	<b>D</b> [4000]	<b>J</b> [10000]	<b>B</b> [1000]
<b>LQM18N</b>	1.05	1.85	1.1 max.	<b>D</b> [4000]	<b>J</b> [10000]	<b>B</b> [1000]

### Embossed Tape

Part Number	Dimensions		Depth of Cavity	Packaging Code (Minimum Qty. [pcs.])		
	a	b		c	ø180mm reel	ø330mm reel
<b>LQM21N</b> (2.7-4.7μH)	1.45	2.25	1.3	<b>L</b> [3000]	<b>K</b> [10000]	<b>B</b> [1000]
<b>LQH31M</b>	1.9	3.6	2.0	<b>L</b> [2000]	<b>K</b> [7500]	-
<b>LQH32M</b>	2.9	3.6	2.1	<b>L</b> [2000]	<b>K</b> [7500]	-

(in mm)

## ■ Minimum Quantity and 12mm Width Embossed Taping Dimensions



Dimension of the cavity of embossed tape is measured at the bottom side.

### Embossed Tape

Part Number	Dimensions (*c: Depth of Cavity)				Packaging Code (Minimum Qty. [pcs.])		
	a	b	c	d	ø180mm reel	ø330mm reel	Bulk
<b>LQH43M(N)</b>	3.6	4.9	2.7	0.3	<b>L</b> [500]	<b>K</b> [2500]	-

(in mm)

△Note • Please read rating and △CAUTION (for storage, operating, rating, soldering, mounting and handling) in this catalog to prevent smoking and/or burning, etc.  
 • This catalog has only typical specifications because there is no space for detailed specifications. Therefore, please review our product specifications or consult the approval sheet for product specifications before ordering.

## ■ Holder Type



## ●EKLMMQ18B (for General Use Multilayer Type)

No.	Part Number	Quantity (pcs.)	Inductance		Q (min.)	DC Resistance (Ω) max.	Rated Current (mA)
			Nominal	Tolerance			
1	LQM18NN47NM00	10	47nH	±20%	10	0.30	50
2	LQM18NN68NM00	10	68nH	±20%	10	0.30	50
3	LQM18NN82NM00	10	82nH	±20%	10	0.30	50
4	LQM18NNR10K00	10	100nH	±10%	15	0.50	50
5	LQM18NNR12K00	10	120nH	±10%	15	0.50	50
6	LQM18NNR15K00	10	150nH	±10%	15	0.60	50
7	LQM18NNR18K00	10	180nH	±10%	15	0.60	50
8	LQM18NNR22K00	10	220nH	±10%	15	0.80	50
9	LQM18NNR27K00	10	270nH	±10%	15	0.80	50
10	LQM18NNR33K00	10	330nH	±10%	15	0.85	35
11	LQM18NNR39K00	10	390nH	±10%	15	1.00	35
12	LQM18NNR47K00	10	470nH	±10%	15	1.35	35
13	LQM18NNR56K00	10	560nH	±10%	15	1.55	35
14	LQM18NNR68K00	10	680nH	±10%	15	1.70	35
15	LQM18NNR82K00	10	820nH	±10%	15	2.10	35
16	LQM18NN1R0K00	10	1000nH	±10%	35	0.60	25
17	LQM18NN1R2K00	10	1200nH	±10%	35	0.80	25
18	LQM18NN1R5K00	10	1500nH	±10%	35	0.80	25
19	LQM18NN1R8K00	10	1800nH	±10%	35	0.95	25
20	LQM18NN2R2K00	10	2200nH	±10%	35	1.15	15

## ●EKLMM21NB (for General Use Multilayer Type)

No.	Part Number	Quantity (pcs.)	Inductance		Q (min.)	DC Resistance (Ω) max.	Rated Current (mA)
			Nominal	Tolerance			
1	LQM21NNR10K10	10	0.1μH	±10%	20	0.26	250
2	LQM21NNR12K10	10	0.12μH	±10%	20	0.29	250
3	LQM21NNR15K10	10	0.15μH	±10%	20	0.32	250
4	LQM21NNR18K10	10	0.18μH	±10%	20	0.35	250
5	LQM21NNR22K10	10	0.22μH	±10%	20	0.38	250
6	LQM21NNR27K10	10	0.27μH	±10%	20	0.42	250
7	LQM21NNR33K10	10	0.33μH	±10%	20	0.48	250
8	LQM21NNR39K10	10	0.39μH	±10%	25	0.53	200
9	LQM21NNR47K10	10	0.47μH	±10%	25	0.57	200
10	LQM21NNR56K10	10	0.56μH	±10%	25	0.63	150
11	LQM21NNR68K10	10	0.68μH	±10%	25	0.72	150
12	LQM21NNR82K10	10	0.82μH	±10%	25	0.81	150
13	LQM21NN1R0K10	10	1.0μH	±10%	45	0.40	50
14	LQM21NN1R2K10	10	1.2μH	±10%	45	0.47	50
15	LQM21NN1R5K10	10	1.5μH	±10%	45	0.50	50
16	LQM21NN1R8K10	10	1.8μH	±10%	45	0.57	50
17	LQM21NN2R2K10	10	2.2μH	±10%	45	0.63	30
18	LQM21NN2R7K10	10	2.7μH	±10%	45	0.69	30
19	LQM21NN3R3K10	10	3.3μH	±10%	45	0.80	30
20	LQM21NN3R9K10	10	3.9μH	±10%	45	0.89	30
21	LQM21NN4R7K10	10	4.7μH	±10%	45	1.00	30

## ●EKLMMH32MC (for General Use Wire Wound Type)

No.	Part Number	Quantity (pcs.)	Inductance		DC Resistance (Ω) max.	Rated Current (mA)
			Nominal	Tolerance		
1	LQH32MN1R0M23	10	1.0μH	±20%	0.50	445
2	LQH32MN1R2M23	10	1.2μH	±20%	0.60	425
3	LQH32MN1R5K23	10	1.5μH	±10%	0.60	400
4	LQH32MN1R8K23	10	1.8μH	±10%	0.70	390
5	LQH32MN2R2K23	10	2.2μH	±10%	0.80	370
6	LQH32MN2R7K23	10	2.7μH	±10%	0.90	320

Continued on the following page.

△Note • Please read rating and △CAUTION (for storage, operating, rating, soldering, mounting and handling) in this catalog to prevent smoking and/or burning, etc.

• This catalog has only typical specifications because there is no space for detailed specifications. Therefore, please review our product specifications or consult the approval sheet for product specifications before ordering.

Continued from the preceding page.

No.	Part Number	Quantity (pcs.)	Inductance		DC Resistance (Ω) max.	Rated Current (mA)
			Nominal	Tolerance		
7	LQH32MN3R3K23	10	3.3μH	±10%	1.00	300
8	LQH32MN3R9K23	10	3.9μH	±10%	1.10	290
9	LQH32MN4R7K23	10	4.7μH	±10%	1.20	270
10	LQH32MN5R6K23	10	5.6μH	±10%	1.30	250
11	LQH32MN6R8K23	10	6.8μH	±10%	1.50	240
12	LQH32MN8R2K23	10	8.2μH	±10%	1.60	225
13	LQH32MN100K23	10	10μH	±10%	1.8	190
14	LQH32MN120K23	10	12μH	±10%	2.0	180
15	LQH32MN150K23	10	15μH	±10%	2.2	170
16	LQH32MN180K23	10	18μH	±10%	2.5	165
17	LQH32MN220K23	10	22μH	±10%	2.8	150
18	LQH32MN270K23	10	27μH	±10%	3.1	125
19	LQH32MN330K23	10	33μH	±10%	3.5	115
20	LQH32MN390K23	10	39μH	±10%	3.9	110
21	LQH32MN470K23	10	47μH	±10%	4.3	100
22	LQH32MN560K23	10	56μH	±10%	4.9	85
23	LQH32MN680K23	10	68μH	±10%	5.5	80
24	LQH32MN820K23	10	82μH	±10%	6.2	70
25	LQH32MN101K23	10	100μH	±10%	7.0	80
26	LQH32MN121K23	10	120μH	±10%	8.0	75
27	LQH32MN151K23	10	150μH	±10%	9.3	70
28	LQH32MN181K23	10	180μH	±10%	10.2	65
29	LQH32MN221K23	10	220μH	±10%	11.8	65
30	LQH32MN271K23	10	270μH	±10%	12.5	65
31	LQH32MN331K23	10	330μH	±10%	13.0	65
32	LQH32MN391K23	10	390μH	±10%	22.0	50
33	LQH32MN471K23	10	470μH	±10%	25.0	45
34	LQH32MN561K23	10	560μH	±10%	28.0	40

●EKL43MB (for General Use Wire Wound Type)

No.	Part Number	Quantity (pcs.)	Inductance		DC Resistance (Ω) max.	Rated Current (mA)
			Nominal	Tolerance		
1	LQH43MN1R0M03	10	1.0μH	±20%	0.20	500
2	LQH43MN1R2M03	10	1.2μH	±20%	0.20	500
3	LQH43MN1R5M03	10	1.5μH	±20%	0.30	500
4	LQH43MN1R8M03	10	1.8μH	±20%	0.30	500
5	LQH43MN2R2M03	10	2.2μH	±20%	0.30	500
6	LQH43MN2R7M03	10	2.7μH	±20%	0.32	500
7	LQH43MN3R3M03	10	3.3μH	±20%	0.35	500
8	LQH43MN3R9M03	10	3.9μH	±20%	0.38	500
9	LQH43MN4R7K03	10	4.7μH	±10%	0.40	500
10	LQH43MN5R6K03	10	5.6μH	±10%	0.47	500
11	LQH43MN6R8K03	10	6.8μH	±10%	0.50	450
12	LQH43MN8R2K03	10	8.2μH	±10%	0.56	450
13	LQH43MN100K03	10	10μH	±10%	0.56	400
14	LQH43MN120K03	10	12μH	±10%	0.62	380
15	LQH43MN150K03	10	15μH	±10%	0.73	360
16	LQH43MN180K03	10	18μH	±10%	0.82	340
17	LQH43MN220K03	10	22μH	±10%	0.94	320
18	LQH43MN270K03	10	27μH	±10%	1.10	300
19	LQH43MN330K03	10	33μH	±10%	1.20	270
20	LQH43MN390K03	10	39μH	±10%	1.40	240
21	LQH43MN470K03	10	47μH	±10%	1.50	220
22	LQH43MN560K03	10	56μH	±10%	1.7	200
23	LQH43MN680K03	10	68μH	±10%	1.9	180
24	LQH43MN820K03	10	82μH	±10%	2.2	170
25	LQH43MN101K03	10	100μH	±10%	2.5	160
26	LQH43MN121K03	10	120μH	±10%	3.0	150
27	LQH43MN151K03	10	150μH	±10%	3.7	130
28	LQH43MN181K03	10	180μH	±10%	4.5	120
29	LQH43MN221K03	10	220μH	±10%	5.4	110
30	LQH43MN271K03	10	270μH	±10%	6.8	100
31	LQH43MN331K03	10	330μH	±10%	8.2	95
32	LQH43MN391K03	10	390μH	±10%	9.7	90
33	LQH43MN471K03	10	470μH	±10%	11.8	80

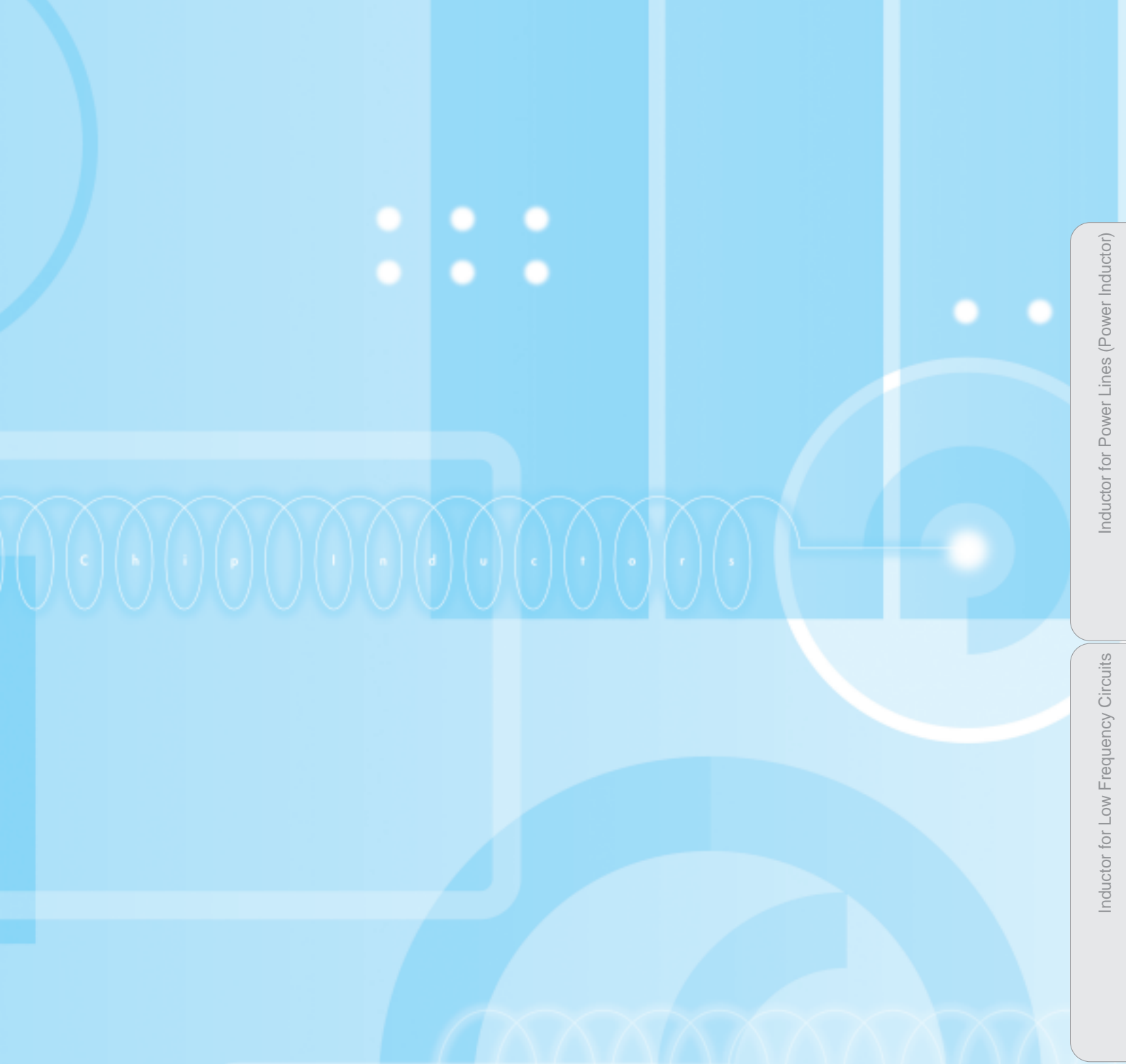
Continued on the following page. ↗

△Note • Please read rating and △CAUTION (for storage, operating, rating, soldering, mounting and handling) in this catalog to prevent smoking and/or burning, etc.  
 • This catalog has only typical specifications because there is no space for detailed specifications. Therefore, please review our product specifications or consult the approval sheet for product specifications before ordering.

Continued from the preceding page.

No.	Part Number	Quantity (pcs.)	Inductance		DC Resistance ( $\Omega$ ) max.	Rated Current (mA)
			Nominal	Tolerance		
34	<b>LQH43MN561K03</b>	10	560 $\mu$ H	$\pm 10\%$	14.5	70
35	<b>LQH43MN681K03</b>	10	680 $\mu$ H	$\pm 10\%$	17.0	65
36	<b>LQH43MN821K03</b>	10	820 $\mu$ H	$\pm 10\%$	20.5	60
37	<b>LQH43MN102K03</b>	10	1000 $\mu$ H	$\pm 10\%$	25.0	50
38	<b>LQH43MN122K03</b>	10	1200 $\mu$ H	$\pm 10\%$	30.0	45
39	<b>LQH43MN152K03</b>	10	1500 $\mu$ H	$\pm 10\%$	37.0	40
40	<b>LQH43NN182K03</b>	10	1800 $\mu$ H	$\pm 10\%$	45.0	35
41	<b>LQH43NN222K03</b>	10	2200 $\mu$ H	$\pm 10\%$	50.0	30

$\Delta$ Note • Please read rating and  $\Delta$ CAUTION (for storage, operating, rating, soldering, mounting and handling) in this catalog to prevent smoking and/or burning, etc.  
 • This catalog has only typical specifications because there is no space for detailed specifications. Therefore, please review our product specifications or consult the approval sheet for product specifications before ordering.



C h i p   l i n e   i n d u c t o r s

Inductor for Power Lines (Power Inductor)

Inductor for Low Frequency Circuits

RF Inductor

## ● RF Inductor

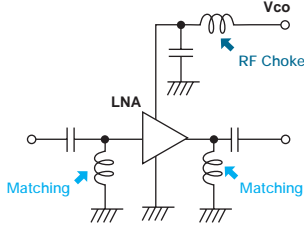
Introduction .....	116
Part Numbering .....	117
Product Detail .....	118
⚠Caution/Notice .....	165
Soldering and Mounting .....	167
Packaging .....	171
Design Kits .....	172

⚠Note • Please read rating and ⚠CAUTION (for storage, operating, rating, soldering, mounting and handling) in this catalog to prevent smoking and/or burning, etc.  
 • This catalog has only typical specifications because there is no space for detailed specifications. Therefore, please review our product specifications or consult the approval sheet for product specifications before ordering.

# Introduction of RF Inductor

## Application of RF Inductor

### LNA



#### For Matching

High Q or tight inductance tolerance is required to improve signal quality. Especially, film type is suitable at receiver circuit because tight tolerance is required.

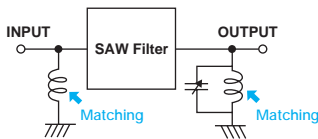
- Recommended
- |                                 |                 |
|---------------------------------|-----------------|
| Film Type                       | Wire Wound Type |
| LQP03T Series (for miniaturize) | LQW15A Series   |
| LQP15M Series                   | LQW18A Series   |
| Multilayer Type                 |                 |
| LQG15H Series                   |                 |

#### For RF Choke

Low DC resistance is required because of large operation current. Wire wound type or multilayer type is suitable.

- Recommended
- |                 |
|-----------------|
| Wire Wound Type |
| LQW15A Series   |
| LQW18A Series   |
| Multilayer Type |
| LQG15H Series   |

### IF SAW Filter

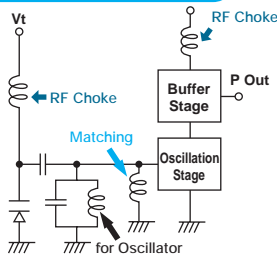


#### For Matching

High Q is required to reduce signal loss. Wire wound type and film type are suitable when tight tolerance is essential.

- Recommended
- |                 |                 |
|-----------------|-----------------|
| Wire Wound Type | Multilayer Type |
| LQW15A Series   | LQG15H Series   |
| LQW18A Series   |                 |
| LQW2BH Series   |                 |
| Film Type       |                 |
| LQP03T Series   |                 |
| LQP15M Series   |                 |

### VCO



#### For Matching

#### For Oscillator

High Q or tight inductance tolerance is required to stabilize oscillation and signal quality. Wire wound type is suitable for high Q, film type is suitable for tight tolerance.

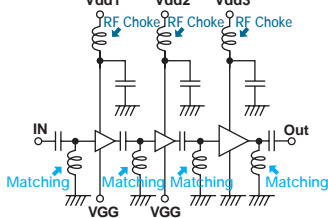
- Recommended
- |                                     |                             |
|-------------------------------------|-----------------------------|
| Wire Wound Type                     | Film Type                   |
| LQW15A Series                       | LQP03T Series               |
| LQW18A Series                       | (for miniaturize)           |
| LQW18A_10 Series                    | LQP15M Series               |
| (for output efficiency improvement) | (for frequency selectivity) |
|                                     | Multilayer Type             |
|                                     | LQG15H Series               |

#### For RF Choke

Low DC resistance is required because of large operation current. Wire wound type or multilayer type is suitable.

- Recommended
- |                  |
|------------------|
| Wire Wound Type  |
| LQW15A Series    |
| LQW18A Series    |
| LQW18A_10 Series |
| Multilayer Type  |
| LQG15H Series    |

### PA



#### For Matching

Small shape is required. Film type is suitable because of its tight inductance tolerance and fine inductance step.

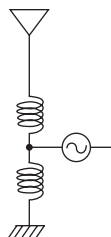
- Recommended
- |   |
|---|
| Film Type                                 |
| LQP03T Series (for miniaturize)           |
| LQP15M Series (for frequency selectivity) |
| Multilayer Type                           |
| LQG15H Series                             |

#### For RF Choke

Low DC resistance is required because of large operation current. Especially, wire wound type is suitable for GSM because over 1A of current is working.

- Recommended
- |                                     |                 |
|-------------------------------------|-----------------|
| Wire Wound Type                     | Multilayer Type |
| LQW15A Series                       | LQG15H Series   |
| LQW18A Series                       |                 |
| LQW18A_10 Series                    |                 |
| LQW2BH Series                       |                 |
| (for output efficiency improvement) |                 |

### ANTENNA



#### For Matching

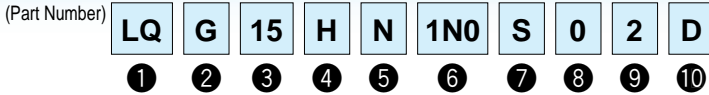
LQW series is suitable to get high antenna sensitivity because of its high Q and tight tolerance spec.

- Recommended
- |                 |
|-----------------|
| Wire Wound Type |
| LQW15A Series   |
| LQW18A Series   |

△Note • Please read rating and △CAUTION (for storage, operating, rating, soldering, mounting and handling) in this catalog to prevent smoking and/or burning, etc.  
• This catalog has only typical specifications because there is no space for detailed specifications. Therefore, please review our product specifications or consult the approval sheet for product specifications before ordering.

Inductor for Power Lines (Power Inductor)  
Inductor for Low Frequency Circuits  
RF Inductor

# RF Inductor Part Numbering



## ① Product ID

Product ID	
LQ	Chip Inductors (Chip Coils)

## ② Structure

Code	Structure
G	Multilayer Type (Air-core Inductor (Coil))
H	Wire Wound Type (Ferrite Core)
P	Film Type
W	Wire Wound Type (Air-core Inductor (Coil))
	Wire Wound Type (Ferrite Core)

## ③ Dimensions (L×W)

Code	Dimensions (L×W)	EIA
02	0.4×0.2mm	01005
03	0.6×0.3mm	0201
04	0.8×0.4mm	03015
15	1.0×0.5mm	0402
18	1.6×0.8mm	0603
21	2.0×1.25mm	0805
2B	2.0×1.5mm	0805
2U	2.5×2.0mm	1008
31	3.2×1.6mm	1206

## ④ Applications and Characteristics

Code	Series	Applications and Characteristics
H	LQG	Multilayer Air-core Inductor (Coil)
M	LQP	Film Type
T		Film Type (Low DC Resistance Type)
A	LQW	High Q Type (UHF-SHF)
H		High Q Type (VHF-UHF)
H	LQH	for High-frequency Resonant Circuit

## ⑤ Category

Code	Category
N	Standard Type
S	

## ⑩ Packaging

Code	Packaging	Series
K	Embossed Taping (ø330mm Reel)	LQH/LQW□□H <sup>*2</sup>
L	Embossed Taping (ø180mm Reel)	LQH/LQW2BA/LQW2UA/LQW□□H
B	Bulk	LQW/LQG/LQP
J	Paper Taping (ø330mm Reel)	LQW18A/LQG/LQP <sup>*1</sup>
D	Paper Taping (ø180mm Reel)	LQW□□A <sup>*3</sup> /LQG/LQP

\*1 Except LQP02T/15T

\*2 Except LQW21H

\*3 Except LQW2BA/LQW2UA

## ⑥ Inductance

Expressed by three-digit alphanumeric. The unit is micro-henry (μH). The first and second figures are significant digits, and the third figure expresses the number of zeros which follow the two figures. If there is a decimal point, it is expressed by the capital letter "R". In this case, all figures are significant digits. If inductance is less than 0.1μH, the inductance code is expressed by a combination of two figures and the capital letter "N", and the unit of inductance is nano-henry (nH). The capital letter "N" indicates the unit of "nH", and also expresses a decimal point. In this case, all figures are significant digits.

## ⑦ Inductance Tolerance

Code	Inductance Tolerance
B	±0.1nH
C	±0.2nH
D	±0.5nH
G	±2%
H	±3%
J	±5%
K	±10%
S	±0.3nH
W	±0.05nH

## ⑧ Features

Code	Features	Series
0	Standard Type	LQG/LQP/LQW/LQH <sup>*1</sup>
1	High-Q/ Low DC Resistance	LQW15A/18A/2BH

\*1 Except LQH32 Series

## ⑨ Electrode

•Lead (Pb) Free

Code	Electrode	Series
0	Sn	LQG18H/LQW□□A/LQW□□C
2		LQG15H/LQP02T/LQP03T/LQP15T/ LQP□□M
3	LF Solder	LQW□□H/LQH



# LQG15HN Series (0402 Size)



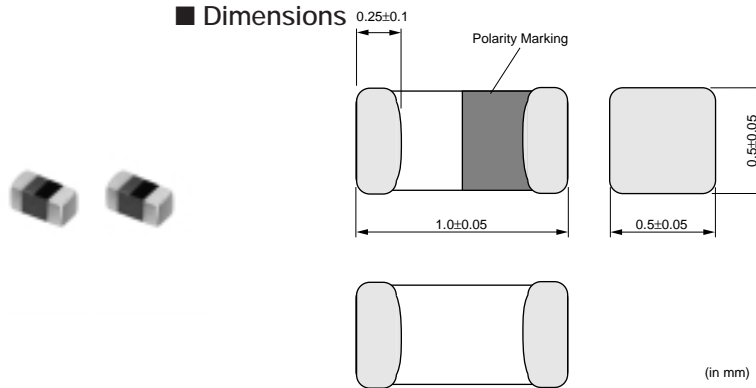
## 0402 Size, Multilayer Type

### ■ Packaging

Code	Packaging	Minimum Quantity
D	180mm Paper Tape	10000
J	330mm Paper Tape	50000
B	Bulk(Bag)	1000

Refer to pages from p.167 to p.170 for mounting information.

### ■ Dimensions



### ■ Rated Value (□: packaging code)

Part Number	Inductance	Test Frequency	Rated Current	Max. of DC Resistance	Q (min.)	Test Frequency	Self Resonance Frequency (min.)
LQG15HN1N0S02□	1.0nH±0.3nH	100MHz	300mA	0.10ohm	8	100MHz	6000MHz
LQG15HN1N1S02□	1.1nH±0.3nH	100MHz	300mA	0.10ohm	8	100MHz	6000MHz
LQG15HN1N2S02□	1.2nH±0.3nH	100MHz	300mA	0.10ohm	8	100MHz	6000MHz
LQG15HN1N3S02□	1.3nH±0.3nH	100MHz	300mA	0.10ohm	8	100MHz	6000MHz
LQG15HN1N5S02□	1.5nH±0.3nH	100MHz	300mA	0.10ohm	8	100MHz	6000MHz
LQG15HN1N6S02□	1.6nH±0.3nH	100MHz	300mA	0.10ohm	8	100MHz	6000MHz
LQG15HN1N8S02□	1.8nH±0.3nH	100MHz	300mA	0.10ohm	8	100MHz	6000MHz
LQG15HN2N0S02□	2.0nH±0.3nH	100MHz	300mA	0.12ohm	8	100MHz	6000MHz
LQG15HN2N2S02□	2.2nH±0.3nH	100MHz	300mA	0.15ohm	8	100MHz	6000MHz
LQG15HN2N4S02□	2.4nH±0.3nH	100MHz	300mA	0.16ohm	8	100MHz	6000MHz
LQG15HN2N7S02□	2.7nH±0.3nH	100MHz	300mA	0.17ohm	8	100MHz	6000MHz
LQG15HN3N0S02□	3.0nH±0.3nH	100MHz	300mA	0.18ohm	8	100MHz	6000MHz
LQG15HN3N3S02□	3.3nH±0.3nH	100MHz	300mA	0.19ohm	8	100MHz	6000MHz
LQG15HN3N6S02□	3.6nH±0.3nH	100MHz	300mA	0.19ohm	8	100MHz	6000MHz
LQG15HN3N9S02□	3.9nH±0.3nH	100MHz	300mA	0.19ohm	8	100MHz	6000MHz
LQG15HN4N3S02□	4.3nH±0.3nH	100MHz	300mA	0.21ohm	8	100MHz	6000MHz
LQG15HN4N7S02□	4.7nH±0.3nH	100MHz	300mA	0.23ohm	8	100MHz	6000MHz
LQG15HN5N1S02□	5.1nH±0.3nH	100MHz	300mA	0.24ohm	8	100MHz	6000MHz
LQG15HN5N6S02□	5.6nH±0.3nH	100MHz	300mA	0.26ohm	8	100MHz	5300MHz
LQG15HN6N2S02□	6.2nH±0.3nH	100MHz	300mA	0.27ohm	8	100MHz	4300MHz
LQG15HN6N8J02□	6.8nH±5%	100MHz	300mA	0.29ohm	8	100MHz	4200MHz
LQG15HN7N5J02□	7.5nH±5%	100MHz	300mA	0.31ohm	8	100MHz	3900MHz
LQG15HN8N2J02□	8.2nH±5%	100MHz	300mA	0.33ohm	8	100MHz	3600MHz
LQG15HN9N1J02□	9.1nH±5%	100MHz	300mA	0.34ohm	8	100MHz	3400MHz
LQG15HN10NJ02□	10nH±5%	100MHz	300mA	0.35ohm	8	100MHz	3200MHz
LQG15HN12NJ02□	12nH±5%	100MHz	300mA	0.41ohm	8	100MHz	2800MHz
LQG15HN15NJ02□	15nH±5%	100MHz	300mA	0.46ohm	8	100MHz	2300MHz
LQG15HN18NJ02□	18nH±5%	100MHz	300mA	0.51ohm	8	100MHz	2100MHz
LQG15HN22NJ02□	22nH±5%	100MHz	300mA	0.58ohm	8	100MHz	1800MHz
LQG15HN27NJ02□	27nH±5%	100MHz	300mA	0.67ohm	8	100MHz	1600MHz

Operating Temperature Range: -55°C to +125°C Only for reflow soldering.

Continued on the following page.

△Note • Please read rating and △CAUTION (for storage, operating, rating, soldering, mounting and handling) in this catalog to prevent smoking and/or burning, etc.  
• This catalog has only typical specifications because there is no space for detailed specifications. Therefore, please review our product specifications or consult the approval sheet for product specifications before ordering.

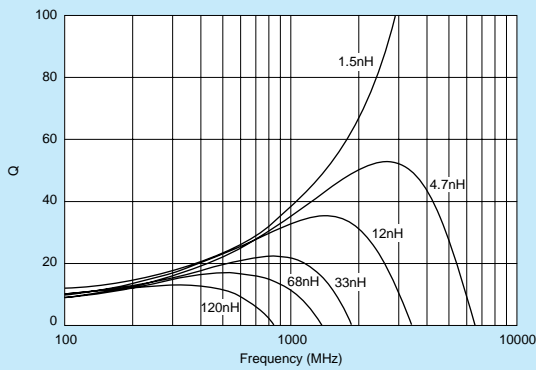
O05E.pdf  
Oct.13,2011



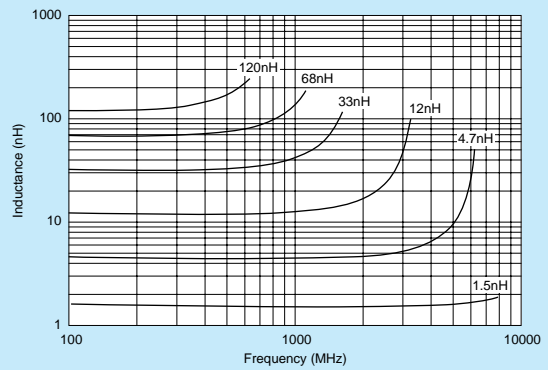
Part Number	Inductance	Test Frequency	Rated Current	Max. of DC Resistance	Q (min.)	Test Frequency	Self Resonance Frequency (min.)
LQG15HN33NJ02□	33nH±5%	100MHz	200mA	0.67ohm	8	100MHz	1500MHz
LQG15HN39NJ02□	39nH±5%	100MHz	200mA	1.06ohm	8	100MHz	1200MHz
LQG15HN47NJ02□	47nH±5%	100MHz	200mA	1.15ohm	8	100MHz	1000MHz
LQG15HN56NJ02□	56nH±5%	100MHz	200mA	1.20ohm	8	100MHz	800MHz
LQG15HN68NJ02□	68nH±5%	100MHz	180mA	1.25ohm	8	100MHz	800MHz
LQG15HN82NJ02□	82nH±5%	100MHz	150mA	1.60ohm	8	100MHz	600MHz
LQG15HNR10J02□	100nH±5%	100MHz	150mA	1.60ohm	8	100MHz	600MHz
LQG15HNR12J02□	120nH±5%	100MHz	150mA	1.60ohm	8	100MHz	600MHz

Operating Temperature Range: -55°C to +125°C Only for reflow soldering.

■ Q-Frequency Characteristics (Typ.)



■ Inductance-Frequency Characteristics (Typ.)

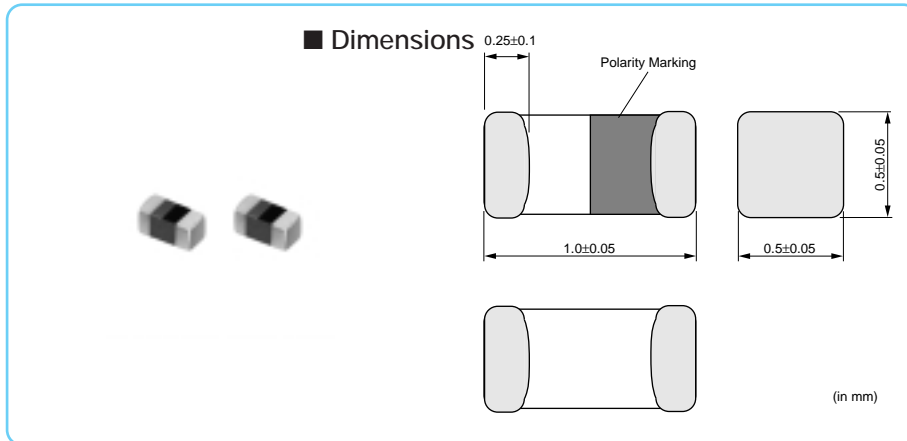


△Note • Please read rating and △CAUTION (for storage, operating, rating, soldering, mounting and handling) in this catalog to prevent smoking and/or burning, etc.  
 • This catalog has only typical specifications because there is no space for detailed specifications. Therefore, please review our product specifications or consult the approval sheet for product specifications before ordering.

# LQG15HS Series (0402 Size)



Designed under Industrial Global Standard



## ■ Packaging

Code	Packaging	Minimum Quantity
D	180mm Paper Tape	10000
J	330mm Paper Tape	50000
B	Bulk(Bag)	1000

Refer to pages from p.167 to p.170 for mounting information.

## ■ Rated Value (□: packaging code)

Part Number	Inductance	Test Frequency	Rated Current	Max. of DC Resistance	Q (min.)	Test Frequency	Self Resonance Frequency (min.)	
LQG15HS1N0S02□	1.0nH±0.3nH	100MHz	300mA	0.07ohm	8	100MHz	10000MHz	Kit
LQG15HS1N1S02□	1.1nH±0.3nH	100MHz	300mA	0.09ohm	8	100MHz	6000MHz	Kit
LQG15HS1N2S02□	1.2nH±0.3nH	100MHz	300mA	0.09ohm	8	100MHz	6000MHz	Kit
LQG15HS1N3S02□	1.3nH±0.3nH	100MHz	300mA	0.09ohm	8	100MHz	6000MHz	Kit
LQG15HS1N5S02□	1.5nH±0.3nH	100MHz	300mA	0.1ohm	8	100MHz	6000MHz	Kit
LQG15HS1N6S02□	1.6nH±0.3nH	100MHz	300mA	0.1ohm	8	100MHz	6000MHz	Kit
LQG15HS1N8S02□	1.8nH±0.3nH	100MHz	300mA	0.1ohm	8	100MHz	6000MHz	Kit
LQG15HS2N0S02□	2.0nH±0.3nH	100MHz	300mA	0.1ohm	8	100MHz	6000MHz	Kit
LQG15HS2N2S02□	2.2nH±0.3nH	100MHz	300mA	0.12ohm	8	100MHz	6000MHz	Kit
LQG15HS2N4S02□	2.4nH±0.3nH	100MHz	300mA	0.15ohm	8	100MHz	6000MHz	Kit
LQG15HS2N7S02□	2.7nH±0.3nH	100MHz	300mA	0.15ohm	8	100MHz	6000MHz	Kit
LQG15HS3N0S02□	3.0nH±0.3nH	100MHz	300mA	0.17ohm	8	100MHz	6000MHz	Kit
LQG15HS3N3S02□	3.3nH±0.3nH	100MHz	300mA	0.17ohm	8	100MHz	6000MHz	Kit
LQG15HS3N6S02□	3.6nH±0.3nH	100MHz	300mA	0.18ohm	8	100MHz	6000MHz	Kit
LQG15HS3N9S02□	3.9nH±0.3nH	100MHz	300mA	0.18ohm	8	100MHz	6000MHz	Kit
LQG15HS4N3S02□	4.3nH±0.3nH	100MHz	300mA	0.18ohm	8	100MHz	6000MHz	Kit
LQG15HS4N7S02□	4.7nH±0.3nH	100MHz	300mA	0.18ohm	8	100MHz	6000MHz	Kit
LQG15HS5N1S02□	5.1nH±0.3nH	100MHz	300mA	0.2ohm	8	100MHz	5300MHz	Kit
LQG15HS5N6S02□	5.6nH±0.3nH	100MHz	300mA	0.2ohm	8	100MHz	4500MHz	Kit
LQG15HS6N2S02□	6.2nH±0.3nH	100MHz	300mA	0.22ohm	8	100MHz	4500MHz	Kit
LQG15HS6N8J02□	6.8nH±5%	100MHz	300mA	0.24ohm	8	100MHz	4500MHz	Kit
LQG15HS7N5J02□	7.5nH±5%	100MHz	300mA	0.24ohm	8	100MHz	4200MHz	Kit
LQG15HS8N2J02□	8.2nH±5%	100MHz	300mA	0.24ohm	8	100MHz	3700MHz	Kit
LQG15HS9N1J02□	9.1nH±5%	100MHz	300mA	0.26ohm	8	100MHz	3400MHz	Kit
LQG15HS10NJ02□	10nH±5%	100MHz	300mA	0.26ohm	8	100MHz	3400MHz	Kit
LQG15HS12NJ02□	12nH±5%	100MHz	300mA	0.28ohm	8	100MHz	3000MHz	Kit
LQG15HS15NJ02□	15nH±5%	100MHz	300mA	0.32ohm	8	100MHz	2500MHz	Kit
LQG15HS18NJ02□	18nH±5%	100MHz	300mA	0.36ohm	8	100MHz	2200MHz	Kit
LQG15HS22NJ02□	22nH±5%	100MHz	300mA	0.42ohm	8	100MHz	1900MHz	Kit
LQG15HS27NJ02□	27nH±5%	100MHz	300mA	0.46ohm	8	100MHz	1700MHz	Kit

Operating Temperature Range: -55°C to +125°C Only for reflow soldering.

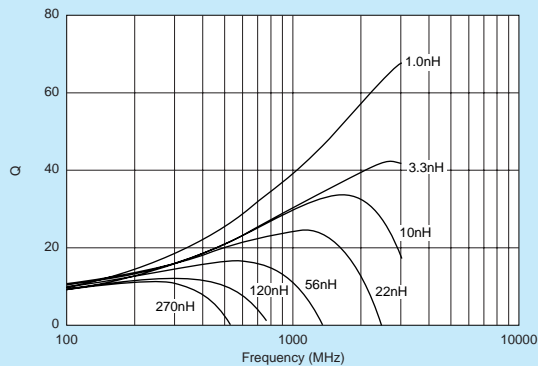
Continued on the following page.

△Note • Please read rating and △CAUTION (for storage, operating, rating, soldering, mounting and handling) in this catalog to prevent smoking and/or burning, etc.  
• This catalog has only typical specifications because there is no space for detailed specifications. Therefore, please review our product specifications or consult the approval sheet for product specifications before ordering.

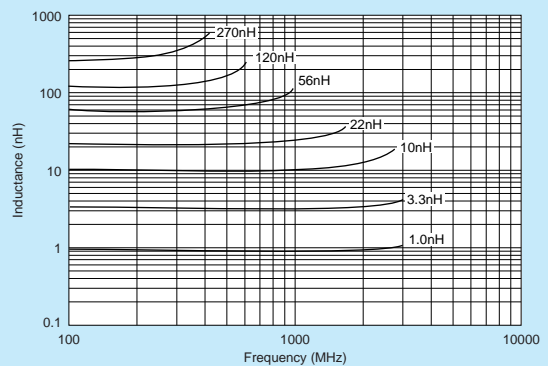
Part Number	Inductance	Test Frequency	Rated Current	Max. of DC Resistance	Q (min.)	Test Frequency	Self Resonance Frequency (min.)	
LQG15HS33NJ02□	33nH±5%	100MHz	200mA	0.58ohm	8	100MHz	1600MHz	Kit
LQG15HS39NJ02□	39nH±5%	100MHz	200mA	0.65ohm	8	100MHz	1200MHz	Kit
LQG15HS47NJ02□	47nH±5%	100MHz	200mA	0.72ohm	8	100MHz	1000MHz	Kit
LQG15HS56NJ02□	56nH±5%	100MHz	200mA	0.82ohm	8	100MHz	800MHz	Kit
LQG15HS68NJ02□	68nH±5%	100MHz	180mA	0.92ohm	8	100MHz	800MHz	Kit
LQG15HS82NJ02□	82nH±5%	100MHz	150mA	1.2ohm	8	100MHz	700MHz	Kit
LQG15HSR10J02□	100nH±5%	100MHz	150mA	1.25ohm	8	100MHz	600MHz	Kit
LQG15HSR12J02□	120nH±5%	100MHz	150mA	1.3ohm	8	100MHz	600MHz	Kit
LQG15HSR15J02□	150nH±5%	100MHz	140mA	2.99ohm	8	100MHz	550MHz	Kit
LQG15HSR18J02□	180nH±5%	100MHz	130mA	3.38ohm	8	100MHz	500MHz	Kit
LQG15HSR22J02□	220nH±5%	100MHz	120mA	3.77ohm	8	100MHz	450MHz	Kit
LQG15HSR27J02□	270nH±5%	100MHz	110mA	4.94ohm	8	100MHz	400MHz	Kit

Operating Temperature Range: -55°C to +125°C Only for reflow soldering.

■ Q-Frequency Characteristics (Typ.)



■ Inductance-Frequency Characteristics (Typ.)



Continued on the following page.

△Note • Please read rating and △CAUTION (for storage, operating, rating, soldering, mounting and handling) in this catalog to prevent smoking and/or burning, etc.  
 • This catalog has only typical specifications because there is no space for detailed specifications. Therefore, please review our product specifications or consult the approval sheet for product specifications before ordering.

## ■ Reference Data

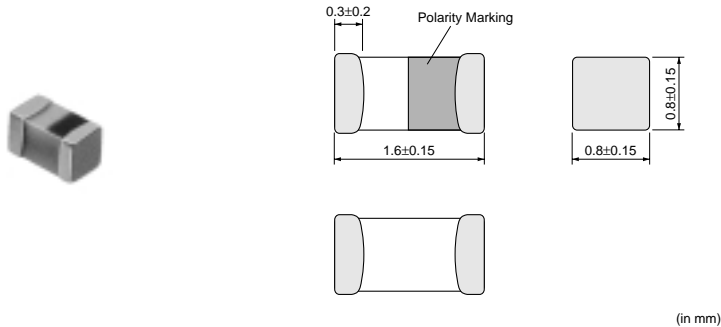
Part Number	Inductance (nH) 100MHz	Q (Typ.)					Rdc ( $\Omega$ Typ.)	SRF (MHz Typ.)
		800MHz	900MHz	1.8GHz	2.0GHz	2.4GHz		
LQG15HS1N0S02	1.0	32	34	51	54	57	0.03	11700
LQG15HS1N1S02	1.1	35	37	59	62	64	0.03	10000
LQG15HS1N2S02	1.2	34	36	56	58	60	0.03	8600
LQG15HS1N3S02	1.3	34	36	56	57	58	0.03	7000
LQG15HS1N5S02	1.5	31	34	50	53	55	0.04	9700
LQG15HS1N6S02	1.6	31	33	50	52	54	0.04	8600
LQG15HS1N8S02	1.8	31	33	48	49	50	0.04	7500
LQG15HS2N0S02	2.0	31	32	47	48	49	0.04	6400
LQG15HS2N2S02	2.2	32	34	48	49	50	0.05	6200
LQG15HS2N4S02	2.4	32	34	51	52	52	0.07	10000
LQG15HS2N7S02	2.7	31	33	49	50	50	0.08	8700
LQG15HS3N0S02	3.0	32	34	49	51	50	0.09	8000
LQG15HS3N3S02	3.3	31	33	46	47	46	0.09	6700
LQG15HS3N6S02	3.6	31	33	45	47	46	0.10	8000
LQG15HS3N9S02	3.9	31	33	49	47	46	0.10	7500
LQG15HS4N3S02	4.3	31	33	44	45	44	0.10	6500
LQG15HS4N7S02	4.7	31	33	42	43	42	0.12	6200
LQG15HS5N1S02	5.1	31	33	44	45	42	0.13	5800
LQG15HS5N6S02	5.6	30	32	41	40	38	0.13	5000
LQG15HS6N2S02	6.2	29	31	41	41	38	0.16	5100
LQG15HS6N8J02	6.8	29	30	40	40	37	0.17	4900
LQG15HS7N5J02	7.5	28	29	38	37	34	0.17	4500
LQG15HS8N2J02	8.2	27	29	35	34	29	0.17	4100
LQG15HS9N1J02	9.1	27	29	36	35	31	0.18	4100
LQG15HS10NJ02	10	27	29	35	33	28	0.18	3900
LQG15HS12NJ02	12	26	27	28	24	18	0.18	3200
LQG15HS15NJ02	15	26	27	25	21	13	0.22	2900
LQG15HS18NJ02	18	25	25	22	18	-	0.26	2800
LQG15HS22NJ02	22	23	24	16	-	-	0.30	2500
LQG15HS27NJ02	27	21	21	-	-	-	0.33	2000
LQG15HS33NJ02	33	20	20	-	-	-	0.40	1900
LQG15HS39NJ02	39	19	18	-	-	-	0.44	1700
LQG15HS47NJ02	47	17	16	-	-	-	0.48	1500
LQG15HS56NJ02	56	15	13	-	-	-	0.55	1300
LQG15HS68NJ02	68	12	10	-	-	-	0.63	1200
LQG15HS82NJ02	82	9	6	-	-	-	0.77	1100
LQG15HSR10J02	100	-	-	-	-	-	0.92	900
LQG15HSR12J02	120	-	-	-	-	-	1.00	800

△Note • Please read rating and △CAUTION (for storage, operating, rating, soldering, mounting and handling) in this catalog to prevent smoking and/or burning, etc.  
 • This catalog has only typical specifications because there is no space for detailed specifications. Therefore, please review our product specifications or consult the approval sheet for product specifications before ordering.



## 0603 Size, Multilayer Type

## ■ Dimensions



## ■ Packaging

Code	Packaging	Minimum Quantity
D	180mm Paper Tape	4000
J	330mm Paper Tape	10000
B	Bulk(Bag)	1000

Refer to pages from p.167 to p.170 for mounting information.

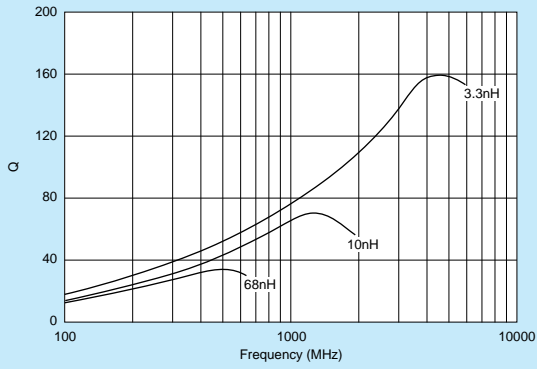
## ■ Rated Value (□: packaging code)

Part Number	Inductance	Test Frequency	Rated Current	Max. of DC Resistance	Q (min.)	Test Frequency	Self Resonance Frequency (min.)	
LQG18HN1N2S00□	1.2nH±0.3nH	100MHz	500mA	0.10ohm	12	100MHz	6000MHz	Kit
LQG18HN1N5S00□	1.5nH±0.3nH	100MHz	500mA	0.10ohm	12	100MHz	6000MHz	Kit
LQG18HN1N8S00□	1.8nH±0.3nH	100MHz	500mA	0.10ohm	12	100MHz	6000MHz	Kit
LQG18HN2N2S00□	2.2nH±0.3nH	100MHz	500mA	0.10ohm	12	100MHz	6000MHz	Kit
LQG18HN2N7S00□	2.7nH±0.3nH	100MHz	500mA	0.15ohm	12	100MHz	6000MHz	Kit
LQG18HN3N3S00□	3.3nH±0.3nH	100MHz	500mA	0.15ohm	12	100MHz	6000MHz	Kit
LQG18HN3N9S00□	3.9nH±0.3nH	100MHz	450mA	0.15ohm	12	100MHz	6000MHz	Kit
LQG18HN4N7S00□	4.7nH±0.3nH	100MHz	450mA	0.20ohm	12	100MHz	6000MHz	Kit
LQG18HN5N6S00□	5.6nH±0.3nH	100MHz	430mA	0.20ohm	12	100MHz	5000MHz	Kit
LQG18HN6N8J00□	6.8nH±5%	100MHz	430mA	0.25ohm	12	100MHz	5000MHz	Kit
LQG18HN8N2J00□	8.2nH±5%	100MHz	400mA	0.25ohm	12	100MHz	4000MHz	Kit
LQG18HN10NJ00□	10nH±5%	100MHz	400mA	0.30ohm	12	100MHz	3500MHz	Kit
LQG18HN12NJ00□	12nH±5%	100MHz	400mA	0.35ohm	12	100MHz	3000MHz	Kit
LQG18HN15NJ00□	15nH±5%	100MHz	350mA	0.40ohm	12	100MHz	2800MHz	Kit
LQG18HN18NJ00□	18nH±5%	100MHz	350mA	0.45ohm	12	100MHz	2600MHz	Kit
LQG18HN22NJ00□	22nH±5%	100MHz	300mA	0.50ohm	12	100MHz	2300MHz	Kit
LQG18HN27NJ00□	27nH±5%	100MHz	300mA	0.55ohm	12	100MHz	2000MHz	Kit
LQG18HN33NJ00□	33nH±5%	100MHz	300mA	0.60ohm	12	100MHz	1700MHz	Kit
LQG18HN39NJ00□	39nH±5%	100MHz	300mA	0.65ohm	12	100MHz	1500MHz	Kit
LQG18HN47NJ00□	47nH±5%	100MHz	300mA	0.70ohm	12	100MHz	1200MHz	Kit
LQG18HN56NJ00□	56nH±5%	100MHz	300mA	0.75ohm	12	100MHz	1100MHz	Kit
LQG18HN68NJ00□	68nH±5%	100MHz	300mA	0.80ohm	12	100MHz	1000MHz	Kit
LQG18HN82NJ00□	82nH±5%	100MHz	300mA	0.85ohm	12	100MHz	900MHz	Kit
LQG18HNR10J00□	100nH±5%	100MHz	300mA	0.90ohm	12	100MHz	800MHz	Kit

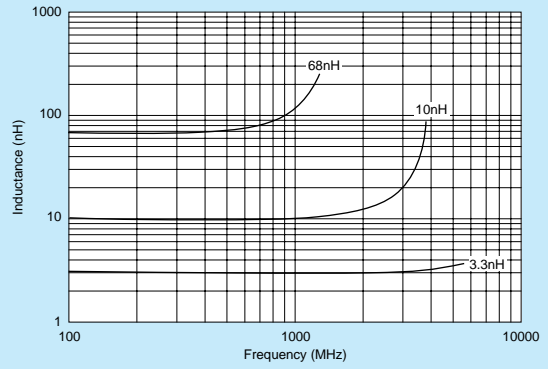
Operating Temperature Range: -40°C to +85°C Only for reflow soldering.

Continued on the following page. ↗

■ Q-Frequency Characteristics (Typ.)



■ Inductance-Frequency Characteristics (Typ.)

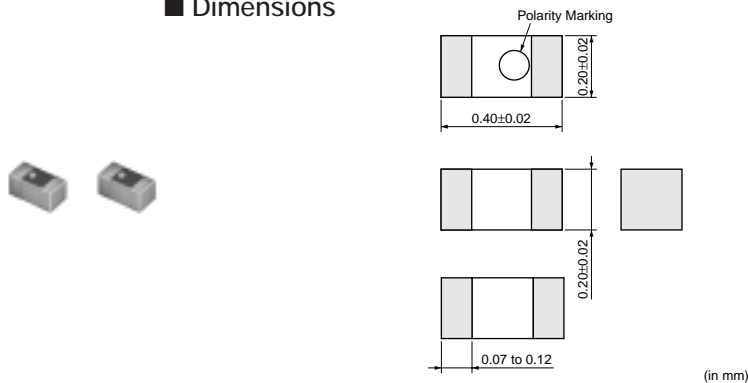


△Note • Please read rating and △CAUTION (for storage, operating, rating, soldering, mounting and handling) in this catalog to prevent smoking and/or burning, etc.  
• This catalog has only typical specifications because there is no space for detailed specifications. Therefore, please review our product specifications or consult the approval sheet for product specifications before ordering.



## 01005 Size

## ■ Dimensions



## ■ Packaging

Code	Packaging	Minimum Quantity
D	180mm Paper Tape	20000
B	Bulk(Bag)	500

Refer to pages from p.167 to p.170 for mounting information.

## ■ Rated Value (□: packaging code)

Part Number	Inductance	Test Frequency	Rated Current	Max. of DC Resistance	Q (min.)	Test Frequency	Self Resonance Frequency (min.)	
LQP02TN0N4S02□	0.4nH±0.3nH	500MHz	320mA	0.60ohm	8	500MHz	6000MHz	Kit
LQP02TN0N5S02□	0.5nH±0.3nH	500MHz	320mA	0.60ohm	8	500MHz	6000MHz	Kit
LQP02TN0N6S02□	0.6nH±0.3nH	500MHz	320mA	0.60ohm	8	500MHz	6000MHz	Kit
LQP02TN0N7S02□	0.7nH±0.3nH	500MHz	320mA	0.60ohm	8	500MHz	6000MHz	Kit
LQP02TN0N8S02□	0.8nH±0.3nH	500MHz	320mA	0.60ohm	8	500MHz	6000MHz	Kit
LQP02TN0N9S02□	0.9nH±0.3nH	500MHz	320mA	0.60ohm	8	500MHz	6000MHz	Kit
LQP02TN1N0S02□	1.0nH±0.3nH	500MHz	220mA	0.90ohm	8	500MHz	6000MHz	Kit
LQP02TN1N1S02□	1.1nH±0.3nH	500MHz	220mA	0.90ohm	8	500MHz	6000MHz	Kit
LQP02TN1N2S02□	1.2nH±0.3nH	500MHz	220mA	0.90ohm	8	500MHz	6000MHz	Kit
LQP02TN1N3S02□	1.3nH±0.3nH	500MHz	220mA	0.90ohm	8	500MHz	6000MHz	Kit
LQP02TN1N5S02□	1.5nH±0.3nH	500MHz	220mA	0.90ohm	8	500MHz	6000MHz	Kit
LQP02TN1N6S02□	1.6nH±0.3nH	500MHz	220mA	0.90ohm	8	500MHz	6000MHz	Kit
LQP02TN1N8S02□	1.8nH±0.3nH	500MHz	200mA	1.35ohm	8	500MHz	6000MHz	Kit
LQP02TN2N0S02□	2.0nH±0.3nH	500MHz	200mA	1.35ohm	8	500MHz	6000MHz	Kit
LQP02TN2N2S02□	2.2nH±0.3nH	500MHz	200mA	1.35ohm	8	500MHz	6000MHz	Kit
LQP02TN2N4S02□	2.4nH±0.3nH	500MHz	200mA	1.35ohm	8	500MHz	6000MHz	Kit
LQP02TN2N7S02□	2.7nH±0.3nH	500MHz	200mA	1.35ohm	8	500MHz	6000MHz	Kit
LQP02TN3N0S02□	3.0nH±0.3nH	500MHz	200mA	1.35ohm	8	500MHz	6000MHz	Kit
LQP02TN3N3S02□	3.3nH±0.3nH	500MHz	180mA	1.65ohm	8	500MHz	6000MHz	Kit
LQP02TN3N6S02□	3.6nH±0.3nH	500MHz	180mA	1.65ohm	8	500MHz	6000MHz	Kit
LQP02TN3N9S02□	3.9nH±0.3nH	500MHz	180mA	1.65ohm	8	500MHz	6000MHz	Kit
LQP02TN4N3S02□	4.3nH±0.3nH	500MHz	180mA	1.65ohm	8	500MHz	6000MHz	Kit
LQP02TN4N7S02□	4.7nH±0.3nH	500MHz	160mA	2.10ohm	8	500MHz	6000MHz	Kit
LQP02TN5N1S02□	5.1nH±0.3nH	500MHz	160mA	2.10ohm	8	500MHz	6000MHz	Kit
LQP02TN5N6S02□	5.6nH±0.3nH	500MHz	140mA	2.40ohm	8	500MHz	6000MHz	Kit
LQP02TN6N2J02□	6.2nH±5%	500MHz	140mA	2.40ohm	8	500MHz	5500MHz	Kit
LQP02TN6N8J02□	6.8nH±5%	500MHz	140mA	2.85ohm	8	500MHz	5500MHz	Kit
LQP02TN7N5J02□	7.5nH±5%	500MHz	140mA	2.85ohm	8	500MHz	4500MHz	Kit
LQP02TN8N2J02□	8.2nH±5%	500MHz	140mA	3.15ohm	8	500MHz	5000MHz	Kit
LQP02TN9N1J02□	9.1nH±5%	500MHz	140mA	3.15ohm	8	500MHz	4000MHz	Kit

Operating Temperature Range: -40°C to +85°C Only for reflow soldering.

Continued on the following page.

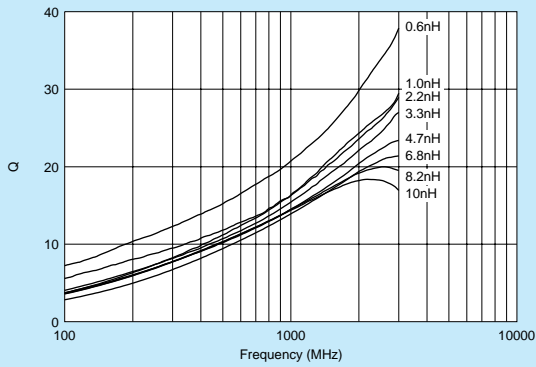
△Note • Please read rating and △CAUTION (for storage, operating, rating, soldering, mounting and handling) in this catalog to prevent smoking and/or burning, etc.  
 • This catalog has only typical specifications because there is no space for detailed specifications. Therefore, please review our product specifications or consult the approval sheet for product specifications before ordering.



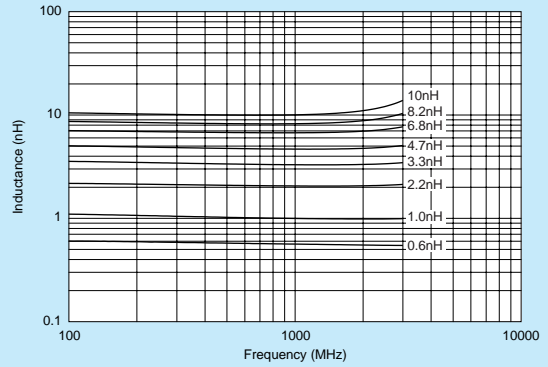
Part Number	Inductance	Test Frequency	Rated Current	Max. of DC Resistance	Q (min.)	Test Frequency	Self Resonance Frequency (min.)	
LQP02TN10NJ02□	10nH±5%	500MHz	140mA	3.60ohm	8	500MHz	4000MHz	Kit
LQP02TN12NJ02□	12nH±5%	500MHz	140mA	3.90ohm	7	500MHz	3500MHz	Kit
LQP02TN15NJ02□	15nH±5%	500MHz	140mA	4.35ohm	7	500MHz	3000MHz	Kit
LQP02TN18NJ02□	18nH±5%	500MHz	140mA	4.80ohm	7	500MHz	2500MHz	Kit

Operating Temperature Range: -40°C to +85°C Only for reflow soldering.

■ Q-Frequency Characteristics (Typ.)



■ Inductance-Frequency Characteristics (Typ.)



Continued on the following page.

△Note • Please read rating and △CAUTION (for storage, operating, rating, soldering, mounting and handling) in this catalog to prevent smoking and/or burning, etc.  
 • This catalog has only typical specifications because there is no space for detailed specifications. Therefore, please review our product specifications or consult the approval sheet for product specifications before ordering.

## Reference Data

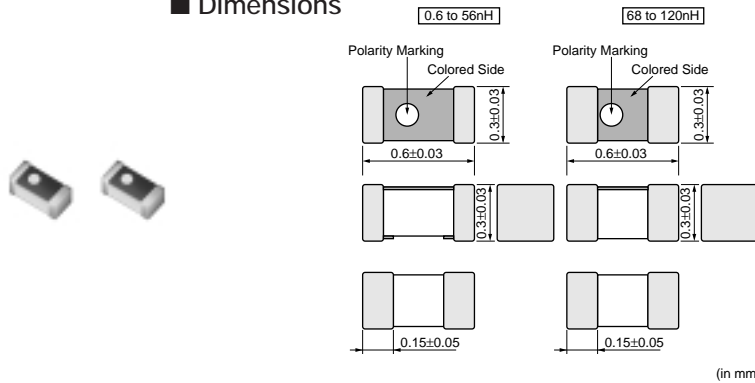
Part Number	Inductance (nH) (Typ.)					Q (Typ.)				
	800MHz	900MHz	1.8GHz	2.0GHz	2.4GHz	800MHz	900MHz	1.8GHz	2.0GHz	2.4GHz
LQP02TN0N4	0.4	0.4	0.4	0.4	0.4	15	16	26	28	30
LQP02TN0N5	0.5	0.5	0.5	0.5	0.5	15	16	24	26	28
LQP02TN0N6	0.6	0.6	0.6	0.6	0.6	15	16	24	26	28
LQP02TN0N7	0.7	0.7	0.7	0.7	0.7	15	15	23	24	26
LQP02TN0N8	0.8	0.8	0.8	0.8	0.8	14	15	23	24	26
LQP02TN0N9	0.9	0.9	0.9	0.9	0.9	14	15	23	24	26
LQP02TN1N0	1.0	1.0	1.0	1.0	1.0	14	15	23	24	26
LQP02TN1N1	1.1	1.1	1.1	1.1	1.1	14	15	23	24	26
LQP02TN1N2	1.2	1.2	1.2	1.2	1.2	14	15	23	24	26
LQP02TN1N3	1.3	1.3	1.3	1.3	1.3	14	15	23	24	26
LQP02TN1N5	1.5	1.5	1.5	1.5	1.5	14	15	23	24	26
LQP02TN1N6	1.6	1.6	1.6	1.6	1.6	14	15	23	24	26
LQP02TN1N8	1.8	1.8	1.8	1.8	1.8	14	15	23	24	26
LQP02TN2N0	2.0	2.0	2.0	2.0	2.0	14	15	22	23	25
LQP02TN2N2	2.2	2.2	2.2	2.2	2.2	14	15	22	23	25
LQP02TN2N4	2.4	2.4	2.4	2.4	2.4	14	15	22	23	25
LQP02TN2N7	2.7	2.7	2.7	2.7	2.7	14	15	22	23	25
LQP02TN3N0	3.0	3.0	3.0	3.0	3.0	13	14	21	22	23
LQP02TN3N3	3.3	3.3	3.3	3.3	3.3	13	14	21	22	24
LQP02TN3N6	3.6	3.6	3.6	3.6	3.6	13	14	20	21	23
LQP02TN3N9	3.9	3.9	3.9	3.9	3.9	13	14	20	21	23
LQP02TN4N3	4.3	4.3	4.3	4.3	4.3	13	14	19	20	22
LQP02TN4N7	4.7	4.7	4.7	4.7	4.8	13	14	19	20	22
LQP02TN5N1	5.1	5.1	5.0	5.1	5.2	13	14	18	19	21
LQP02TN5N6	5.6	5.6	5.6	5.7	5.9	13	14	18	19	21
LQP02TN6N2	6.2	6.2	6.1	6.2	6.3	13	14	18	19	21
LQP02TN6N8	6.8	6.8	6.9	7.0	7.2	13	14	18	19	21
LQP02TN7N5	7.5	7.5	7.4	7.5	7.9	13	14	18	19	20
LQP02TN8N2	8.2	8.2	8.6	8.8	9.3	13	14	18	19	20
LQP02TN9N1	9.1	9.2	9.7	9.7	10.0	13	14	18	19	20
LQP02TN10N	10	10	11	11	12	13	14	17	18	18
LQP02TN12N	13	13	14	15	16	13	14	17	18	18
LQP02TN15N	15	15	18	19	22	12	13	18	18	17
LQP02TN18N	18	18	23	25	31	12	12	14	12	11

△Note • Please read rating and △CAUTION (for storage, operating, rating, soldering, mounting and handling) in this catalog to prevent smoking and/or burning, etc.  
 • This catalog has only typical specifications because there is no space for detailed specifications. Therefore, please review our product specifications or consult the approval sheet for product specifications before ordering.



## 0201 Size, High Q, Wide Variation

### ■ Dimensions



### ■ Packaging

Code	Packaging	Minimum Quantity
D	180mm Paper Tape	15000
J	330mm Paper Tape	50000
B	Bulk(Bag)	500

Refer to pages from p.167 to p.170 for mounting information.

### ■ Rated Value (□: packaging code)

Part Number	Inductance	Test Frequency	Rated Current	Max. of DC Resistance	Q (min.)	Test Frequency	Self Resonance Frequency (min.)	
LQP03TN0N6B02□	0.6nH±0.1nH	500MHz	850mA	0.07ohm	14	500MHz	6000MHz	Kit
LQP03TN0N6C02□	0.6nH±0.2nH	500MHz	850mA	0.07ohm	14	500MHz	6000MHz	
LQP03TN0N7B02□	0.7nH±0.1nH	500MHz	800mA	0.08ohm	14	500MHz	6000MHz	Kit
LQP03TN0N7C02□	0.7nH±0.2nH	500MHz	800mA	0.08ohm	14	500MHz	6000MHz	
LQP03TN0N8B02□	0.8nH±0.1nH	500MHz	800mA	0.08ohm	14	500MHz	6000MHz	Kit
LQP03TN0N8C02□	0.8nH±0.2nH	500MHz	800mA	0.08ohm	14	500MHz	6000MHz	
LQP03TN0N9B02□	0.9nH±0.1nH	500MHz	750mA	0.10ohm	14	500MHz	6000MHz	Kit
LQP03TN0N9C02□	0.9nH±0.2nH	500MHz	750mA	0.10ohm	14	500MHz	6000MHz	
LQP03TN1N0B02□	1.0nH±0.1nH	500MHz	750mA	0.10ohm	14	500MHz	6000MHz	Kit
LQP03TN1N0C02□	1.0nH±0.2nH	500MHz	750mA	0.10ohm	14	500MHz	6000MHz	
LQP03TN1N1B02□	1.1nH±0.1nH	500MHz	750mA	0.10ohm	14	500MHz	6000MHz	Kit
LQP03TN1N1C02□	1.1nH±0.2nH	500MHz	750mA	0.10ohm	14	500MHz	6000MHz	
LQP03TN1N2B02□	1.2nH±0.1nH	500MHz	750mA	0.10ohm	14	500MHz	6000MHz	Kit
LQP03TN1N2C02□	1.2nH±0.2nH	500MHz	750mA	0.10ohm	14	500MHz	6000MHz	
LQP03TN1N3B02□	1.3nH±0.1nH	500MHz	600mA	0.15ohm	14	500MHz	6000MHz	Kit
LQP03TN1N3C02□	1.3nH±0.2nH	500MHz	600mA	0.15ohm	14	500MHz	6000MHz	
LQP03TN1N4B02□	1.4nH±0.1nH	500MHz	600mA	0.15ohm	14	500MHz	6000MHz	Kit
LQP03TN1N4C02□	1.4nH±0.2nH	500MHz	600mA	0.15ohm	14	500MHz	6000MHz	
LQP03TN1N5B02□	1.5nH±0.1nH	500MHz	600mA	0.15ohm	14	500MHz	6000MHz	Kit
LQP03TN1N5C02□	1.5nH±0.2nH	500MHz	600mA	0.15ohm	14	500MHz	6000MHz	
LQP03TN1N6B02□	1.6nH±0.1nH	500MHz	600mA	0.15ohm	14	500MHz	6000MHz	Kit
LQP03TN1N6C02□	1.6nH±0.2nH	500MHz	600mA	0.15ohm	14	500MHz	6000MHz	
LQP03TN1N7B02□	1.7nH±0.1nH	500MHz	600mA	0.15ohm	14	500MHz	6000MHz	Kit
LQP03TN1N7C02□	1.7nH±0.2nH	500MHz	600mA	0.15ohm	14	500MHz	6000MHz	
LQP03TN1N8B02□	1.8nH±0.1nH	500MHz	600mA	0.15ohm	14	500MHz	6000MHz	Kit
LQP03TN1N8C02□	1.8nH±0.2nH	500MHz	600mA	0.15ohm	14	500MHz	6000MHz	
LQP03TN1N9B02□	1.9nH±0.1nH	500MHz	600mA	0.15ohm	14	500MHz	6000MHz	Kit
LQP03TN1N9C02□	1.9nH±0.2nH	500MHz	600mA	0.15ohm	14	500MHz	6000MHz	
LQP03TN2N0B02□	2.0nH±0.1nH	500MHz	600mA	0.15ohm	14	500MHz	6000MHz	Kit
LQP03TN2N0C02□	2.0nH±0.2nH	500MHz	600mA	0.15ohm	14	500MHz	6000MHz	

Operating Temperature Range: -55°C to +125°C  
Only for reflow soldering.

Continued on the following page.

△Note • Please read rating and △CAUTION (for storage, operating, rating, soldering, mounting and handling) in this catalog to prevent smoking and/or burning, etc.  
• This catalog has only typical specifications because there is no space for detailed specifications. Therefore, please review our product specifications or consult the approval sheet for product specifications before ordering.


Inductor for Power Lines (Power Inductor)

Inductor for Low Frequency Circuits

RF Inductor  
Film Non-Magnetic Type

Part Number	Inductance	Test Frequency	Rated Current	Max. of DC Resistance	Q (min.)	Test Frequency	Self Resonance Frequency (min.)	
LQP03TN2N1B02□	2.1nH±0.1nH	500MHz	600mA	0.15ohm	14	500MHz	6000MHz	Kit
LQP03TN2N1C02□	2.1nH±0.2nH	500MHz	600mA	0.15ohm	14	500MHz	6000MHz	
LQP03TN2N2B02□	2.2nH±0.1nH	500MHz	600mA	0.15ohm	14	500MHz	6000MHz	Kit
LQP03TN2N2C02□	2.2nH±0.2nH	500MHz	600mA	0.15ohm	14	500MHz	6000MHz	
LQP03TN2N3B02□	2.3nH±0.1nH	500MHz	500mA	0.20ohm	14	500MHz	6000MHz	Kit
LQP03TN2N3C02□	2.3nH±0.2nH	500MHz	500mA	0.20ohm	14	500MHz	6000MHz	
LQP03TN2N4B02□	2.4nH±0.1nH	500MHz	500mA	0.20ohm	14	500MHz	6000MHz	Kit
LQP03TN2N4C02□	2.4nH±0.2nH	500MHz	500mA	0.20ohm	14	500MHz	6000MHz	
LQP03TN2N5B02□	2.5nH±0.1nH	500MHz	500mA	0.20ohm	14	500MHz	6000MHz	Kit
LQP03TN2N5C02□	2.5nH±0.2nH	500MHz	500mA	0.20ohm	14	500MHz	6000MHz	
LQP03TN2N6B02□	2.6nH±0.1nH	500MHz	500mA	0.20ohm	14	500MHz	6000MHz	Kit
LQP03TN2N6C02□	2.6nH±0.2nH	500MHz	500mA	0.20ohm	14	500MHz	6000MHz	
LQP03TN2N7B02□	2.7nH±0.1nH	500MHz	500mA	0.20ohm	14	500MHz	6000MHz	Kit
LQP03TN2N7C02□	2.7nH±0.2nH	500MHz	500mA	0.20ohm	14	500MHz	6000MHz	
LQP03TN2N8B02□	2.8nH±0.1nH	500MHz	500mA	0.20ohm	14	500MHz	6000MHz	Kit
LQP03TN2N8C02□	2.8nH±0.2nH	500MHz	500mA	0.20ohm	14	500MHz	6000MHz	
LQP03TN2N9B02□	2.9nH±0.1nH	500MHz	500mA	0.20ohm	14	500MHz	6000MHz	Kit
LQP03TN2N9C02□	2.9nH±0.2nH	500MHz	500mA	0.20ohm	14	500MHz	6000MHz	
LQP03TN3N0B02□	3.0nH±0.1nH	500MHz	450mA	0.25ohm	14	500MHz	6000MHz	Kit
LQP03TN3N0C02□	3.0nH±0.2nH	500MHz	450mA	0.25ohm	14	500MHz	6000MHz	
LQP03TN3N1B02□	3.1nH±0.1nH	500MHz	450mA	0.25ohm	14	500MHz	6000MHz	Kit
LQP03TN3N1C02□	3.1nH±0.2nH	500MHz	450mA	0.25ohm	14	500MHz	6000MHz	
LQP03TN3N2B02□	3.2nH±0.1nH	500MHz	450mA	0.25ohm	14	500MHz	6000MHz	Kit
LQP03TN3N2C02□	3.2nH±0.2nH	500MHz	450mA	0.25ohm	14	500MHz	6000MHz	
LQP03TN3N3B02□	3.3nH±0.1nH	500MHz	450mA	0.25ohm	14	500MHz	6000MHz	Kit
LQP03TN3N3C02□	3.3nH±0.2nH	500MHz	450mA	0.25ohm	14	500MHz	6000MHz	
LQP03TN3N4B02□	3.4nH±0.1nH	500MHz	450mA	0.25ohm	14	500MHz	6000MHz	Kit
LQP03TN3N4C02□	3.4nH±0.2nH	500MHz	450mA	0.25ohm	14	500MHz	6000MHz	
LQP03TN3N5B02□	3.5nH±0.1nH	500MHz	450mA	0.25ohm	14	500MHz	6000MHz	Kit
LQP03TN3N5C02□	3.5nH±0.2nH	500MHz	450mA	0.25ohm	14	500MHz	6000MHz	
LQP03TN3N6B02□	3.6nH±0.1nH	500MHz	400mA	0.30ohm	14	500MHz	6000MHz	Kit
LQP03TN3N6C02□	3.6nH±0.2nH	500MHz	400mA	0.30ohm	14	500MHz	6000MHz	
LQP03TN3N7B02□	3.7nH±0.1nH	500MHz	400mA	0.30ohm	14	500MHz	6000MHz	Kit
LQP03TN3N7C02□	3.7nH±0.2nH	500MHz	400mA	0.30ohm	14	500MHz	6000MHz	
LQP03TN3N8B02□	3.8nH±0.1nH	500MHz	400mA	0.30ohm	14	500MHz	6000MHz	Kit
LQP03TN3N8C02□	3.8nH±0.2nH	500MHz	400mA	0.30ohm	14	500MHz	6000MHz	
LQP03TN3N9B02□	3.9nH±0.1nH	500MHz	400mA	0.30ohm	14	500MHz	5700MHz	Kit
LQP03TN3N9C02□	3.9nH±0.2nH	500MHz	400mA	0.30ohm	14	500MHz	5700MHz	
LQP03TN4N3H02□	4.3nH±3%	500MHz	350mA	0.40ohm	14	500MHz	5300MHz	Kit
LQP03TN4N3J02□	4.3nH±5%	500MHz	350mA	0.40ohm	14	500MHz	5300MHz	
LQP03TN4N7H02□	4.7nH±3%	500MHz	350mA	0.40ohm	14	500MHz	4400MHz	Kit
LQP03TN4N7J02□	4.7nH±5%	500MHz	350mA	0.40ohm	14	500MHz	4400MHz	
LQP03TN5N1H02□	5.1nH±3%	500MHz	350mA	0.40ohm	14	500MHz	4200MHz	Kit
LQP03TN5N1J02□	5.1nH±5%	500MHz	350mA	0.40ohm	14	500MHz	4200MHz	

Operating Temperature Range: -55°C to +125°C  
Only for reflow soldering.

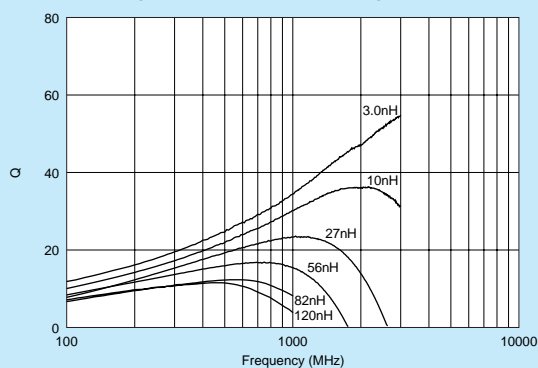
Continued on the following page. 

△Note • Please read rating and △CAUTION (for storage, operating, rating, soldering, mounting and handling) in this catalog to prevent smoking and/or burning, etc.  
• This catalog has only typical specifications because there is no space for detailed specifications. Therefore, please review our product specifications or consult the approval sheet for product specifications before ordering.

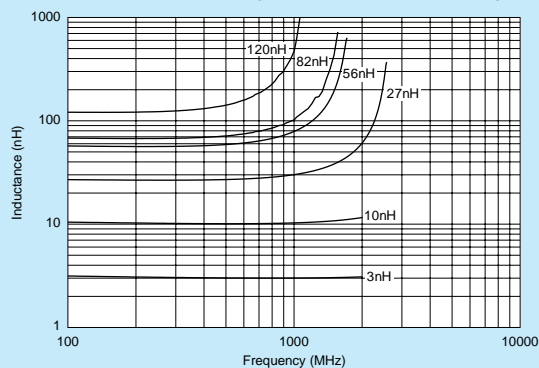
Part Number	Inductance	Test Frequency	Rated Current	Max. of DC Resistance	Q (min.)	Test Frequency	Self Resonance Frequency (min.)	
LQP03TN5N6H02□	5.6nH±3%	500MHz	350mA	0.40ohm	14	500MHz	4000MHz	Kit
LQP03TN5N6J02□	5.6nH±5%	500MHz	350mA	0.40ohm	14	500MHz	4000MHz	
LQP03TN6N2H02□	6.2nH±3%	500MHz	300mA	0.60ohm	14	500MHz	4000MHz	Kit
LQP03TN6N2J02□	6.2nH±5%	500MHz	300mA	0.60ohm	14	500MHz	4000MHz	
LQP03TN6N8H02□	6.8nH±3%	500MHz	300mA	0.60ohm	14	500MHz	3900MHz	Kit
LQP03TN6N8J02□	6.8nH±5%	500MHz	300mA	0.60ohm	14	500MHz	3900MHz	
LQP03TN7N5H02□	7.5nH±3%	500MHz	300mA	0.60ohm	14	500MHz	3700MHz	Kit
LQP03TN7N5J02□	7.5nH±5%	500MHz	300mA	0.60ohm	14	500MHz	3700MHz	
LQP03TN8N2H02□	8.2nH±3%	500MHz	250mA	0.70ohm	14	500MHz	3600MHz	Kit
LQP03TN8N2J02□	8.2nH±5%	500MHz	250mA	0.70ohm	14	500MHz	3600MHz	
LQP03TN9N1H02□	9.1nH±3%	500MHz	250mA	0.70ohm	14	500MHz	3300MHz	Kit
LQP03TN9N1J02□	9.1nH±5%	500MHz	250mA	0.70ohm	14	500MHz	3300MHz	
LQP03TN10NH02□	10nH±3%	500MHz	250mA	0.70ohm	14	500MHz	3200MHz	Kit
LQP03TN10NJ02□	10nH±5%	500MHz	250mA	0.70ohm	14	500MHz	3200MHz	
LQP03TN12NH02□	12nH±3%	500MHz	250mA	0.70ohm	12	500MHz	2900MHz	Kit
LQP03TN12NJ02□	12nH±5%	500MHz	250mA	0.70ohm	12	500MHz	2900MHz	
LQP03TN15NH02□	15nH±3%	500MHz	250mA	0.70ohm	12	500MHz	2600MHz	Kit
LQP03TN15NJ02□	15nH±5%	500MHz	250mA	0.70ohm	12	500MHz	2600MHz	
LQP03TN18NH02□	18nH±3%	500MHz	200mA	0.80ohm	12	500MHz	2200MHz	Kit
LQP03TN18NJ02□	18nH±5%	500MHz	200mA	0.80ohm	12	500MHz	2200MHz	
LQP03TN22NH02□	22nH±3%	500MHz	150mA	1.90ohm	12	500MHz	2200MHz	Kit
LQP03TN22NJ02□	22nH±5%	500MHz	150mA	1.90ohm	12	500MHz	2200MHz	
LQP03TN27NH02□	27nH±3%	500MHz	140mA	2.30ohm	12	500MHz	2000MHz	Kit
LQP03TN27NJ02□	27nH±5%	500MHz	140mA	2.30ohm	12	500MHz	2000MHz	
LQP03TN33NJ02□	33nH±5%	300MHz	120mA	2.95ohm	9	300MHz	1700MHz	Kit
LQP03TN39NJ02□	39nH±5%	300MHz	120mA	3.00ohm	9	300MHz	1500MHz	Kit
LQP03TN47NJ02□	47nH±5%	300MHz	100mA	3.60ohm	9	300MHz	1300MHz	Kit
LQP03TN56NJ02□	56nH±5%	300MHz	100mA	3.90ohm	9	300MHz	1200MHz	Kit
LQP03TN68NJ02□	68nH±5%	300MHz	50mA	8.00ohm	8	300MHz	1100MHz	Kit
LQP03TN82NJ02□	82nH±5%	300MHz	50mA	10.0ohm	8	300MHz	1000MHz	Kit
LQP03TNR10J02□	100nH±5%	300MHz	40mA	10.0ohm	8	300MHz	900MHz	Kit
LQP03TNR12J02□	120nH±5%	300MHz	40mA	12.0ohm	8	300MHz	800MHz	Kit

Operating Temperature Range: -55°C to +125°C  
Only for reflow soldering.

■ Q-Frequency Characteristics (Typ.)



■ Inductance-Frequency Characteristics (Typ.)



Continued on the following page.

△Note • Please read rating and △CAUTION (for storage, operating, rating, soldering, mounting and handling) in this catalog to prevent smoking and/or burning, etc.  
• This catalog has only typical specifications because there is no space for detailed specifications. Therefore, please review our product specifications or consult the approval sheet for product specifications before ordering.

## Reference Data

Part Number	Inductance (nH) (Typ.)					Q (Typ.)				
	800MHz	900MHz	1.8GHz	2.0GHz	2.4GHz	800MHz	900MHz	1.8GHz	2.0GHz	2.4GHz
LQP03TN0N6□02	0.7	0.7	0.7	0.7	0.7	35 min	42 min	62 min	65 min	71 min
LQP03TN0N7□02	0.8	0.8	0.8	0.8	0.8	35 min	42 min	62 min	65 min	71 min
LQP03TN0N8□02	0.9	0.9	0.9	0.9	0.9	35 min	42 min	62 min	65 min	71 min
LQP03TN0N9□02	0.9	0.9	0.9	0.9	0.9	35 min	42 min	62 min	65 min	71 min
LQP03TN1N0□02	1.0	1.0	1.0	1.0	1.0	35 min	42 min	62 min	65 min	71 min
LQP03TN1N1□02	1.1	1.1	1.1	1.1	1.1	35 min	42 min	62 min	65 min	71 min
LQP03TN1N2□02	1.2	1.2	1.2	1.2	1.2	35	42	62	65	71
LQP03TN1N3□02	1.3	1.3	1.3	1.3	1.3	35	42	62	64	71
LQP03TN1N4□02	1.4	1.4	1.4	1.4	1.4	34	36	52	55	60
LQP03TN1N5□02	1.5	1.5	1.5	1.5	1.5	34	36	55	58	63
LQP03TN1N6□02	1.5	1.5	1.6	1.6	1.6	32	34	50	52	57
LQP03TN1N7□02	1.7	1.7	1.7	1.7	1.7	33	34	48	50	54
LQP03TN1N8□02	1.8	1.8	1.8	1.8	1.8	32	34	50	53	57
LQP03TN1N9□02	1.9	1.9	1.9	1.9	1.9	32	34	49	51	56
LQP03TN2N0□02	2.0	2.0	2.0	2.0	2.0	32	34	49	51	55
LQP03TN2N1□02	2.1	2.1	2.1	2.1	2.2	31	33	48	49	53
LQP03TN2N2□02	2.2	2.2	2.2	2.2	2.2	31	33	48	50	54
LQP03TN2N3□02	2.3	2.3	2.3	2.3	2.4	31	33	48	50	54
LQP03TN2N4□02	2.4	2.4	2.4	2.4	2.5	31	33	47	49	53
LQP03TN2N5□02	2.5	2.5	2.5	2.5	2.6	31	33	48	49	53
LQP03TN2N6□02	2.6	2.6	2.7	2.7	2.7	31	33	48	49	53
LQP03TN2N7□02	2.6	2.6	2.7	2.7	2.7	30	31	45	46	50
LQP03TN2N8□02	2.8	2.8	2.9	2.9	3.0	31	32	47	49	52
LQP03TN2N9□02	2.9	2.9	3.0	3.0	3.1	31	32	48	49	52
LQP03TN3N0□02	3.0	3.0	3.1	3.1	3.1	31	33	46	47	51
LQP03TN3N1□02	3.1	3.1	3.2	3.2	3.3	30	32	46	48	51
LQP03TN3N2□02	3.2	3.2	3.3	3.3	3.4	30	32	46	48	51
LQP03TN3N3□02	3.2	3.3	3.3	3.4	3.4	30	31	45	46	50
LQP03TN3N4□02	3.4	3.4	3.5	3.6	3.6	30	32	46	47	49
LQP03TN3N5□02	3.5	3.5	3.6	3.7	3.8	29	31	44	45	48
LQP03TN3N6□02	3.6	3.6	3.7	3.8	3.9	29	31	43	44	47
LQP03TN3N7□02	3.7	3.7	3.9	3.9	4.0	28	29	41	42	44
LQP03TN3N8□02	3.8	3.8	4.0	4.0	4.2	28	30	42	43	44
LQP03TN3N9□02	3.9	3.9	4.0	4.1	4.2	28	30	42	42	44
LQP03TN4N3□02	4.3	4.3	4.5	4.5	4.6	29	30	43	44	47
LQP03TN4N7□02	4.8	4.8	5.0	5.0	5.2	29	30	42	42	44
LQP03TN5N1□02	5.3	5.3	5.5	5.6	5.8	27	28	38	38	40
LQP03TN5N6□02	5.4	5.4	5.6	5.7	5.9	28	29	40	40	43
LQP03TN6N2□02	6.5	6.5	6.8	6.9	7.3	27	28	38	39	40
LQP03TN6N8□02	7.1	7.1	7.6	7.7	8.1	27	29	38	38	40
LQP03TN7N5□02	7.7	7.7	8.3	8.5	9.0	27	28	37	37	38
LQP03TN8N2□02	8.5	8.5	9.2	9.4	10.0	27	28	36	36	37
LQP03TN9N1□02	9.5	9.5	10.4	10.8	11.7	26	28	34	34	34
LQP03TN10N□02	10	10	12	12	13	26	28	34	34	33
LQP03TN12N□02	12	12	15	15	18	26	27	31	30	26
LQP03TN15N□02	15	16	20	23	30	23	24	23	21	15
LQP03TN18N□02	18	18	25	-	-	25	26	24	-	-
LQP03TN22N□02	23	23	33	-	-	23	24	21	-	-
LQP03TN27N□02	28	29	48	-	-	22	23	17	-	-
LQP03TN33N□02	37	38	-	-	-	22	22	-	-	-
LQP03TN39N□02	45	47	-	-	-	18	18	-	-	-
LQP03TN47N□02	56	59	-	-	-	18	18	-	-	-
LQP03TN56N□02	68	72	-	-	-	17	16	-	-	-

△Note • Please read rating and △CAUTION (for storage, operating, rating, soldering, mounting and handling) in this catalog to prevent smoking and/or burning, etc.  
 • This catalog has only typical specifications because there is no space for detailed specifications. Therefore, please review our product specifications or consult the approval sheet for product specifications before ordering.

Inductor for Power Lines (Power Inductor)

Inductor for Low Frequency Circuits

Film Non-Magnetic Type  
RF Inductor

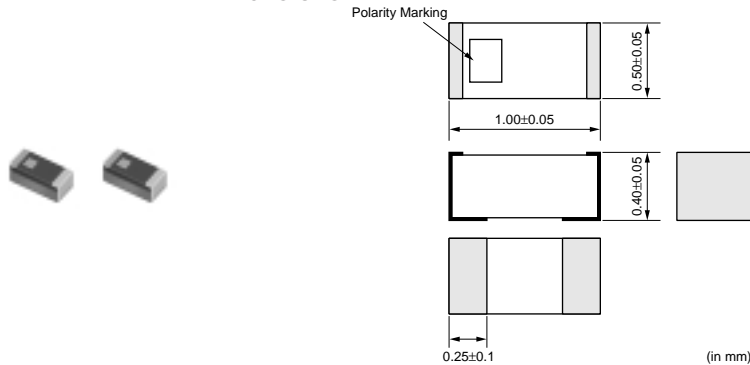


# LQP15T Series (0402 Size)



## 0402 Size, High Q Film Type

### ■ Dimensions



### ■ Packaging

Code	Packaging	Minimum Quantity
D	180mm Paper Tape	10000
B	Bulk(Bag)	500

Refer to pages from p.167 to p.170 for mounting information.

### ■ Rated Value (□: packaging code)

Part Number	Inductance	Test Frequency	Rated Current	Max. of DC Resistance	Q (min.)	Test Frequency	Self Resonance Frequency (min.)
LQP15TN1N0B02□	1.0nH±0.1nH	500MHz	300mA	0.1ohm	17	500MHz	6000MHz
LQP15TN1N0C02□	1.0nH±0.2nH	500MHz	300mA	0.1ohm	17	500MHz	6000MHz
LQP15TN1N1B02□	1.1nH±0.1nH	500MHz	300mA	0.1ohm	17	500MHz	6000MHz
LQP15TN1N1C02□	1.1nH±0.2nH	500MHz	300mA	0.1ohm	17	500MHz	6000MHz
LQP15TN1N2B02□	1.2nH±0.1nH	500MHz	300mA	0.1ohm	17	500MHz	6000MHz
LQP15TN1N2C02□	1.2nH±0.2nH	500MHz	300mA	0.1ohm	17	500MHz	6000MHz
LQP15TN1N3B02□	1.3nH±0.1nH	500MHz	300mA	0.15ohm	17	500MHz	6000MHz
LQP15TN1N3C02□	1.3nH±0.2nH	500MHz	300mA	0.15ohm	17	500MHz	6000MHz
LQP15TN1N5B02□	1.5nH±0.1nH	500MHz	300mA	0.15ohm	17	500MHz	6000MHz
LQP15TN1N5C02□	1.5nH±0.2nH	500MHz	300mA	0.15ohm	17	500MHz	6000MHz
LQP15TN1N6B02□	1.6nH±0.1nH	500MHz	250mA	0.15ohm	17	500MHz	6000MHz
LQP15TN1N6C02□	1.6nH±0.2nH	500MHz	250mA	0.15ohm	17	500MHz	6000MHz
LQP15TN1N8B02□	1.8nH±0.1nH	500MHz	250mA	0.15ohm	17	500MHz	6000MHz
LQP15TN1N8C02□	1.8nH±0.2nH	500MHz	250mA	0.15ohm	17	500MHz	6000MHz
LQP15TN2N0C02□	2.0nH±0.2nH	500MHz	220mA	0.2ohm	17	500MHz	6000MHz
LQP15TN2N2C02□	2.2nH±0.2nH	500MHz	220mA	0.2ohm	17	500MHz	6000MHz
LQP15TN2N4C02□	2.4nH±0.2nH	500MHz	220mA	0.2ohm	17	500MHz	6000MHz
LQP15TN2N7C02□	2.7nH±0.2nH	500MHz	220mA	0.2ohm	17	500MHz	6000MHz
LQP15TN3N0C02□	3.0nH±0.2nH	500MHz	190mA	0.3ohm	17	500MHz	5500MHz
LQP15TN3N3C02□	3.3nH±0.2nH	500MHz	190mA	0.3ohm	17	500MHz	5500MHz
LQP15TN3N6C02□	3.6nH±0.2nH	500MHz	170mA	0.3ohm	17	500MHz	5500MHz
LQP15TN3N9C02□	3.9nH±0.2nH	500MHz	170mA	0.4ohm	17	500MHz	5500MHz
LQP15TN4N7C02□	4.7nH±0.2nH	500MHz	160mA	0.5ohm	17	500MHz	5000MHz
LQP15TN5N6C02□	5.6nH±0.2nH	500MHz	140mA	0.6ohm	17	500MHz	4500MHz
LQP15TN6N8H02□	6.8nH±3%	500MHz	130mA	0.7ohm	17	500MHz	3500MHz
LQP15TN8N2H02□	8.2nH±3%	500MHz	110mA	0.8ohm	17	500MHz	3000MHz
LQP15TN10NH02□	10nH±3%	500MHz	100mA	1.0ohm	17	500MHz	2500MHz
LQP15TN12NH02□	12nH±3%	500MHz	90mA	1.0ohm	17	500MHz	2500MHz
LQP15TN15NH02□	15nH±3%	500MHz	90mA	1.3ohm	17	500MHz	2000MHz
LQP15TN18NH02□	18nH±3%	500MHz	80mA	1.5ohm	17	500MHz	1500MHz

Operating Temperature Range: -40°C to +85°C Only for reflow soldering.

Continued on the following page.

△Note • Please read rating and △CAUTION (for storage, operating, rating, soldering, mounting and handling) in this catalog to prevent smoking and/or burning, etc.  
• This catalog has only typical specifications because there is no space for detailed specifications. Therefore, please review our product specifications or consult the approval sheet for product specifications before ordering.

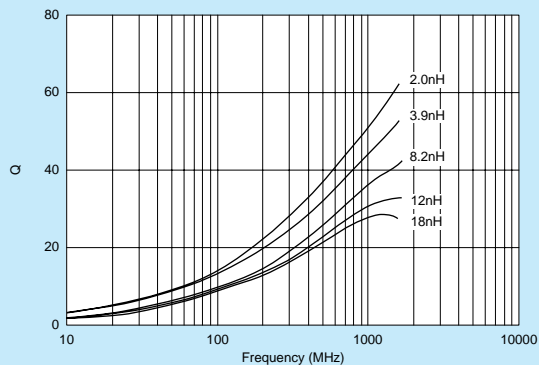
Inductor for Power Lines (Power Inductor)

Inductor for Low Frequency Circuits

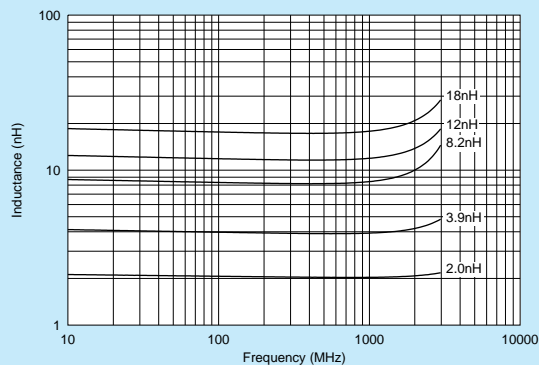
RF Inductor  
Film Non-Magnetic Type



■ Q-Frequency Characteristics (Typ.)



■ Inductance-Frequency Characteristics (Typ.)



Inductor for Power Lines (Power Inductor)

Inductor for Low Frequency Circuits

Film Non-Magnetic Type  
RF Inductor

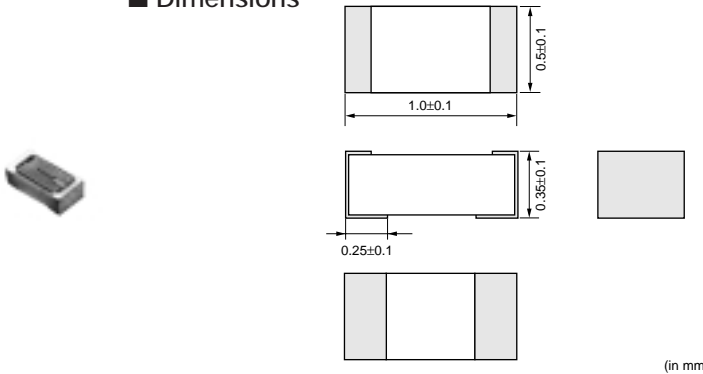
△Note • Please read rating and △CAUTION (for storage, operating, rating, soldering, mounting and handling) in this catalog to prevent smoking and/or burning, etc.  
• This catalog has only typical specifications because there is no space for detailed specifications. Therefore, please review our product specifications or consult the approval sheet for product specifications before ordering.

# LQP15M Series (0402 Size)



## 0402 Size, Tight Inductance Tolerance

### ■ Dimensions



### ■ Packaging

Code	Packaging	Minimum Quantity
D	180mm Paper Tape	10000
J	330mm Paper Tape	50000
B	Bulk(Bag)	500

Refer to pages from p.167 to p.170 for mounting information.

### ■ Rated Value (□: packaging code)

Part Number	Inductance	Test Frequency	Rated Current	Max. of DC Resistance	Q (min.)	Test Frequency	Self Resonance Frequency (min.)	
LQP15MN1N0B02□	1.0nH±0.1nH	500MHz	400mA	0.1ohm	13	500MHz	6000MHz	Kit
LQP15MN1N0W02□	1.0nH±0.05nH	500MHz	400mA	0.1ohm	13	500MHz	6000MHz	
LQP15MN1N1B02□	1.1nH±0.1nH	500MHz	390mA	0.1ohm	13	500MHz	6000MHz	Kit
LQP15MN1N1W02□	1.1nH±0.05nH	500MHz	390mA	0.1ohm	13	500MHz	6000MHz	
LQP15MN1N2B02□	1.2nH±0.1nH	500MHz	390mA	0.1ohm	13	500MHz	6000MHz	Kit
LQP15MN1N2W02□	1.2nH±0.05nH	500MHz	390mA	0.1ohm	13	500MHz	6000MHz	
LQP15MN1N3B02□	1.3nH±0.1nH	500MHz	280mA	0.2ohm	13	500MHz	6000MHz	Kit
LQP15MN1N3W02□	1.3nH±0.05nH	500MHz	280mA	0.2ohm	13	500MHz	6000MHz	
LQP15MN1N4W02□	1.4nH±0.05nH	500MHz	280mA	0.2ohm	13	500MHz	6000MHz	
LQP15MN1N5B02□	1.5nH±0.1nH	500MHz	280mA	0.2ohm	13	500MHz	6000MHz	Kit
LQP15MN1N5W02□	1.5nH±0.05nH	500MHz	280mA	0.2ohm	13	500MHz	6000MHz	
LQP15MN1N6B02□	1.6nH±0.1nH	500MHz	220mA	0.3ohm	13	500MHz	6000MHz	Kit
LQP15MN1N6W02□	1.6nH±0.05nH	500MHz	220mA	0.3ohm	13	500MHz	6000MHz	
LQP15MN1N7W02□	1.7nH±0.05nH	500MHz	280mA	0.2ohm	13	500MHz	6000MHz	
LQP15MN1N8B02□	1.8nH±0.1nH	500MHz	280mA	0.2ohm	13	500MHz	6000MHz	Kit
LQP15MN1N8W02□	1.8nH±0.05nH	500MHz	280mA	0.2ohm	13	500MHz	6000MHz	
LQP15MN1N9W02□	1.9nH±0.05nH	500MHz	220mA	0.3ohm	13	500MHz	6000MHz	
LQP15MN2N0B02□	2.0nH±0.1nH	500MHz	220mA	0.3ohm	13	500MHz	6000MHz	Kit
LQP15MN2N0W02□	2.0nH±0.05nH	500MHz	220mA	0.3ohm	13	500MHz	6000MHz	
LQP15MN2N1W02□	2.1nH±0.05nH	500MHz	220mA	0.3ohm	13	500MHz	6000MHz	
LQP15MN2N2B02□	2.2nH±0.1nH	500MHz	220mA	0.3ohm	13	500MHz	6000MHz	Kit
LQP15MN2N2W02□	2.2nH±0.05nH	500MHz	220mA	0.3ohm	13	500MHz	6000MHz	
LQP15MN2N3W02□	2.3nH±0.05nH	500MHz	220mA	0.3ohm	13	500MHz	6000MHz	
LQP15MN2N4B02□	2.4nH±0.1nH	500MHz	220mA	0.3ohm	13	500MHz	6000MHz	Kit
LQP15MN2N4W02□	2.4nH±0.05nH	500MHz	220mA	0.3ohm	13	500MHz	6000MHz	
LQP15MN2N5W02□	2.5nH±0.05nH	500MHz	220mA	0.3ohm	13	500MHz	6000MHz	
LQP15MN2N6W02□	2.6nH±0.05nH	500MHz	220mA	0.3ohm	13	500MHz	6000MHz	
LQP15MN2N7B02□	2.7nH±0.1nH	500MHz	220mA	0.3ohm	13	500MHz	6000MHz	Kit
LQP15MN2N7W02□	2.7nH±0.05nH	500MHz	220mA	0.3ohm	13	500MHz	6000MHz	
LQP15MN2N8W02□	2.8nH±0.05nH	500MHz	190mA	0.4ohm	13	500MHz	6000MHz	

Operating Temperature Range: -40°C to +85°C Only for reflow soldering.

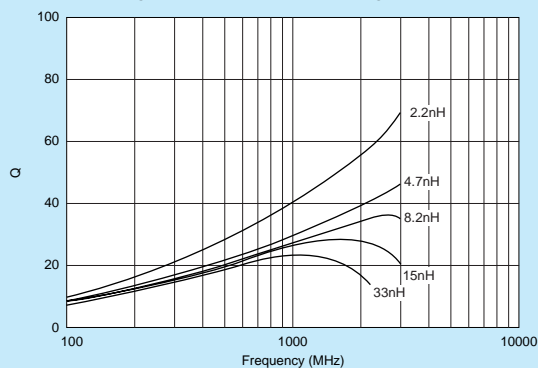
Continued on the following page.

△Note • Please read rating and △CAUTION (for storage, operating, rating, soldering, mounting and handling) in this catalog to prevent smoking and/or burning, etc.  
 • This catalog has only typical specifications because there is no space for detailed specifications. Therefore, please review our product specifications or consult the approval sheet for product specifications before ordering.

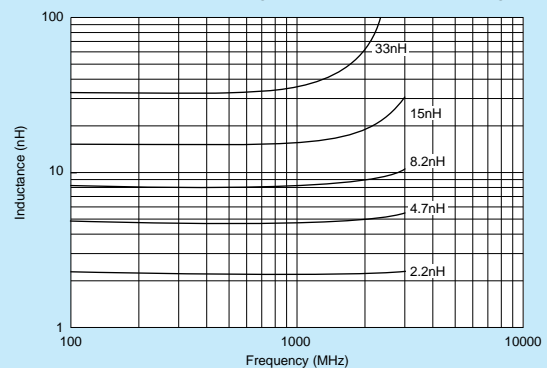
Part Number	Inductance	Test Frequency	Rated Current	Max. of DC Resistance	Q (min.)	Test Frequency	Self Resonance Frequency (min.)	
LQP15MN2N9W02□	2.9nH±0.05nH	500MHz	190mA	0.4ohm	13	500MHz	6000MHz	
LQP15MN3N0B02□	3.0nH±0.1nH	500MHz	190mA	0.4ohm	13	500MHz	6000MHz	Kit
LQP15MN3N0W02□	3.0nH±0.05nH	500MHz	190mA	0.4ohm	13	500MHz	6000MHz	
LQP15MN3N1W02□	3.1nH±0.05nH	500MHz	190mA	0.4ohm	13	500MHz	6000MHz	
LQP15MN3N2W02□	3.2nH±0.05nH	500MHz	190mA	0.4ohm	13	500MHz	6000MHz	
LQP15MN3N3B02□	3.3nH±0.1nH	500MHz	190mA	0.4ohm	13	500MHz	6000MHz	Kit
LQP15MN3N3W02□	3.3nH±0.05nH	500MHz	190mA	0.4ohm	13	500MHz	6000MHz	
LQP15MN3N4W02□	3.4nH±0.05nH	500MHz	170mA	0.5ohm	13	500MHz	6000MHz	
LQP15MN3N5W02□	3.5nH±0.05nH	500MHz	170mA	0.5ohm	13	500MHz	6000MHz	
LQP15MN3N6B02□	3.6nH±0.1nH	500MHz	170mA	0.5ohm	13	500MHz	6000MHz	Kit
LQP15MN3N6W02□	3.6nH±0.05nH	500MHz	170mA	0.5ohm	13	500MHz	6000MHz	
LQP15MN3N7W02□	3.7nH±0.05nH	500MHz	170mA	0.5ohm	13	500MHz	6000MHz	
LQP15MN3N8W02□	3.8nH±0.05nH	500MHz	170mA	0.5ohm	13	500MHz	6000MHz	
LQP15MN3N9B02□	3.9nH±0.1nH	500MHz	170mA	0.5ohm	13	500MHz	6000MHz	Kit
LQP15MN3N9W02□	3.9nH±0.05nH	500MHz	170mA	0.5ohm	13	500MHz	6000MHz	
LQP15MN4N3B02□	4.3nH±0.1nH	500MHz	160mA	0.6ohm	13	500MHz	6000MHz	Kit
LQP15MN4N7B02□	4.7nH±0.1nH	500MHz	160mA	0.6ohm	13	500MHz	6000MHz	Kit
LQP15MN5N1B02□	5.1nH±0.1nH	500MHz	140mA	0.7ohm	13	500MHz	6000MHz	Kit
LQP15MN5N6B02□	5.6nH±0.1nH	500MHz	140mA	0.7ohm	13	500MHz	6000MHz	Kit
LQP15MN6N2B02□	6.2nH±0.1nH	500MHz	130mA	0.9ohm	13	500MHz	6000MHz	Kit
LQP15MN6N8B02□	6.8nH±0.1nH	500MHz	130mA	0.9ohm	13	500MHz	6000MHz	Kit
LQP15MN7N5B02□	7.5nH±0.1nH	500MHz	110mA	1.1ohm	13	500MHz	5500MHz	Kit
LQP15MN8N2B02□	8.2nH±0.1nH	500MHz	110mA	1.1ohm	13	500MHz	5500MHz	Kit
LQP15MN9N1B02□	9.1nH±0.1nH	500MHz	100mA	1.3ohm	13	500MHz	4500MHz	Kit
LQP15MN10NG02□	10nH±2%	500MHz	100mA	1.3ohm	13	500MHz	4500MHz	Kit
LQP15MN12NG02□	12nH±2%	500MHz	90mA	1.6ohm	13	500MHz	3700MHz	Kit
LQP15MN15NG02□	15nH±2%	500MHz	90mA	1.8ohm	13	500MHz	3300MHz	Kit
LQP15MN18NG02□	18nH±2%	500MHz	80mA	2.0ohm	13	500MHz	3100MHz	Kit
LQP15MN22NG02□	22nH±2%	500MHz	70mA	2.6ohm	13	500MHz	2800MHz	Kit
LQP15MN27NG02□	27nH±2%	500MHz	70mA	3.1ohm	13	500MHz	2500MHz	Kit
LQP15MN33NG02□	33nH±2%	500MHz	60mA	3.8ohm	13	500MHz	2100MHz	Kit

Operating Temperature Range: -40°C to +85°C Only for reflow soldering.

■ Q-Frequency Characteristics (Typ.)



■ Inductance-Frequency Characteristics (Typ.)



Continued on the following page.

△Note • Please read rating and △CAUTION (for storage, operating, rating, soldering, mounting and handling) in this catalog to prevent smoking and/or burning, etc.  
 • This catalog has only typical specifications because there is no space for detailed specifications. Therefore, please review our product specifications or consult the approval sheet for product specifications before ordering.

### Reference Data

Part Number	Inductance (nH) (Typ.)					Q (Typ.)				
	800MHz	900MHz	1.8GHz	2.0GHz	2.4GHz	800MHz	900MHz	1.8GHz	2.0GHz	2.4GHz
LQP15MN1N0	1.0	1.0	1.0	1.0	1.0	50	55	73	76	85
LQP15MN1N1	1.1	1.1	1.1	1.1	1.1	44	47	70	76	83
LQP15MN1N2	1.2	1.2	1.2	1.2	1.2	43	47	69	76	82
LQP15MN1N3	1.3	1.3	1.3	1.3	1.3	39	43	56	60	65
LQP15MN1N4	1.4	1.4	1.4	1.4	1.4	39	41	51	54	58
LQP15MN1N5	1.5	1.5	1.5	1.5	1.5	38	40	49	51	54
LQP15MN1N6	1.6	1.6	1.6	1.6	1.6	26	28	37	39	42
LQP15MN1N7	1.7	1.7	1.7	1.7	1.7	37	40	48	49	53
LQP15MN1N8	1.8	1.8	1.8	1.8	1.8	35	37	46	49	52
LQP15MN1N9	1.9	1.9	1.9	1.9	1.9	34	36	46	49	52
LQP15MN2N0	2.0	2.0	2.0	2.0	2.0	34	36	47	50	53
LQP15MN2N1	2.1	2.1	2.1	2.1	2.1	35	37	47	49	53
LQP15MN2N2	2.2	2.2	2.2	2.2	2.2	36	38	48	51	56
LQP15MN2N3	2.3	2.3	2.3	2.3	2.3	36	38	47	49	53
LQP15MN2N4	2.4	2.4	2.4	2.4	2.4	35	37	47	49	52
LQP15MN2N5	2.5	2.5	2.5	2.5	2.5	35	37	47	49	53
LQP15MN2N6	2.6	2.6	2.6	2.6	2.6	35	37	47	49	52
LQP15MN2N7	2.7	2.7	2.7	2.7	2.7	35	37	48	49	53
LQP15MN2N8	2.8	2.8	2.8	2.8	2.8	35	37	47	49	53
LQP15MN2N9	2.9	2.9	2.9	2.9	2.9	33	35	44	46	49
LQP15MN3N0	3.0	3.0	3.0	3.0	3.0	29	31	41	44	48
LQP15MN3N1	3.1	3.1	3.1	3.1	3.1	28	29	39	42	45
LQP15MN3N2	3.2	3.2	3.2	3.2	3.2	27	28	35	36	38
LQP15MN3N3	3.3	3.3	3.3	3.3	3.4	28	29	38	39	43
LQP15MN3N4	3.4	3.4	3.4	3.4	3.5	28	29	37	39	41
LQP15MN3N5	3.5	3.5	3.5	3.5	3.6	28	29	37	38	40
LQP15MN3N6	3.6	3.6	3.6	3.7	3.7	27	28	35	39	41
LQP15MN3N7	3.7	3.7	3.7	3.8	3.8	27	28	35	38	41
LQP15MN3N8	3.8	3.8	3.8	3.9	3.9	28	29	38	39	42
LQP15MN3N9	3.9	3.9	3.9	4.0	4.0	28	29	37	38	41
LQP15MN4N3	4.3	4.3	4.3	4.4	4.5	28	30	38	40	42
LQP15MN4N7	4.7	4.7	4.8	4.9	5.1	28	29	38	39	41
LQP15MN5N1	5.1	5.1	5.2	5.3	5.5	26	28	36	38	40
LQP15MN5N6	5.6	5.6	5.8	6.0	6.2	23	25	32	33	34
LQP15MN6N2	6.2	6.2	6.5	6.6	6.9	23	25	32	33	34
LQP15MN6N8	6.8	6.8	7.1	7.4	7.7	24	26	33	34	35
LQP15MN7N5	7.5	7.5	7.9	8.2	8.6	24	25	32	33	34
LQP15MN8N2	8.2	8.2	8.7	9.0	9.5	24	25	32	33	34
LQP15MN9N1	9.1	9.1	9.8	10	11	23	25	31	32	33
LQP15MN10N	10	10	11	12	13	24	26	30	31	31
LQP15MN12N	12	12	13	14	16	25	26	29	29	28
LQP15MN15N	15	15	18	19	23	23	25	26	27	25
LQP15MN18N	18	18	23	-	-	22	23	24	-	-
LQP15MN22N	22	23	29	-	-	22	23	22	-	-
LQP15MN27N	28	28	38	-	-	22	23	21	-	-
LQP15MN33N	34	35	-	-	-	21	22	-	-	-

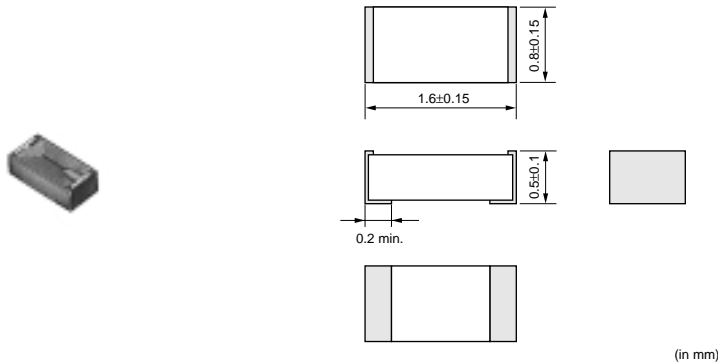
△Note • Please read rating and △CAUTION (for storage, operating, rating, soldering, mounting and handling) in this catalog to prevent smoking and/or burning, etc.  
 • This catalog has only typical specifications because there is no space for detailed specifications. Therefore, please review our product specifications or consult the approval sheet for product specifications before ordering.

# LQP18M Series (0603 Size)



## 0603 Size, Film Type

### ■ Dimensions



### ■ Packaging

Code	Packaging	Minimum Quantity
D	180mm Paper Tape	4000
J	330mm Paper Tape	10000
B	Bulk(Bag)	500

Refer to pages from p.167 to p.170 for mounting information.

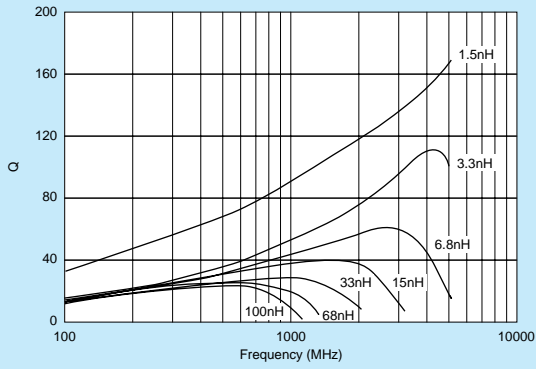
### ■ Rated Value (□: packaging code)

Part Number	Inductance	Test Frequency	Rated Current	Max. of DC Resistance	Q (min.)	Test Frequency	Self Resonance Frequency (min.)
LQP18MN1N3C02□	1.3nH±0.2nH	500MHz	300mA	0.3ohm	17	500MHz	6000MHz
LQP18MN1N5C02□	1.5nH±0.2nH	500MHz	300mA	0.3ohm	17	500MHz	6000MHz
LQP18MN1N8C02□	1.8nH±0.2nH	500MHz	250mA	0.4ohm	17	500MHz	6000MHz
LQP18MN2N2C02□	2.2nH±0.2nH	500MHz	250mA	0.4ohm	17	500MHz	6000MHz
LQP18MN2N7C02□	2.7nH±0.2nH	500MHz	250mA	0.4ohm	17	500MHz	6000MHz
LQP18MN3N3C02□	3.3nH±0.2nH	500MHz	250mA	0.4ohm	17	500MHz	6000MHz
LQP18MN3N9C02□	3.9nH±0.2nH	500MHz	200mA	0.5ohm	17	500MHz	5900MHz
LQP18MN4N7C02□	4.7nH±0.2nH	500MHz	200mA	0.5ohm	17	500MHz	5200MHz
LQP18MN5N6C02□	5.6nH±0.2nH	500MHz	200mA	0.6ohm	17	500MHz	4700MHz
LQP18MN6N8C02□	6.8nH±0.2nH	500MHz	200mA	0.7ohm	17	500MHz	4300MHz
LQP18MN8N2C02□	8.2nH±0.2nH	500MHz	150mA	0.8ohm	17	500MHz	3600MHz
LQP18MN10NG02□	10nH±2%	500MHz	150mA	1.0ohm	17	500MHz	3400MHz
LQP18MN12NG02□	12nH±2%	500MHz	150mA	1.0ohm	17	500MHz	3000MHz
LQP18MN15NG02□	15nH±2%	500MHz	150mA	1.3ohm	17	500MHz	2700MHz
LQP18MN18NG02□	18nH±2%	500MHz	100mA	1.5ohm	17	500MHz	2300MHz
LQP18MN22NG02□	22nH±2%	500MHz	100mA	1.9ohm	17	500MHz	2100MHz
LQP18MN27NG02□	27nH±2%	500MHz	100mA	2.4ohm	17	500MHz	1900MHz
LQP18MN33NG02□	33nH±2%	500MHz	100mA	2.8ohm	17	500MHz	1700MHz
LQP18MN39NG02□	39nH±2%	500MHz	100mA	2.8ohm	17	500MHz	1400MHz
LQP18MN47NG02□	47nH±2%	300MHz	100mA	2.2ohm	17	300MHz	1200MHz
LQP18MN56NG02□	56nH±2%	300MHz	50mA	3.4ohm	17	300MHz	1000MHz
LQP18MN68NG02□	68nH±2%	300MHz	50mA	3.5ohm	17	300MHz	900MHz
LQP18MN82NG02□	82nH±2%	300MHz	50mA	4.6ohm	17	300MHz	800MHz
LQP18MNR10G02□	100nH±2%	300MHz	50mA	6.1ohm	17	300MHz	700MHz

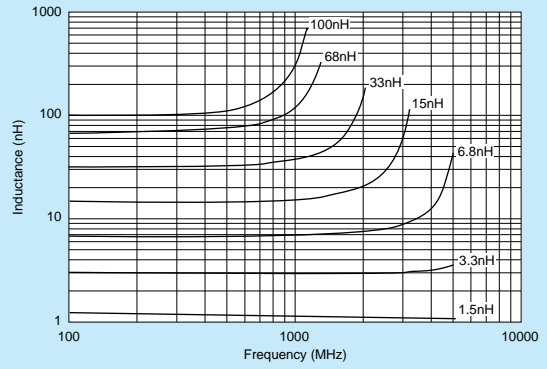
Operating Temperature Range: -40°C to +85°C Only for reflow soldering.

Continued on the following page.

■ Q-Frequency Characteristics (Typ.)



■ Inductance-Frequency Characteristics (Typ.)



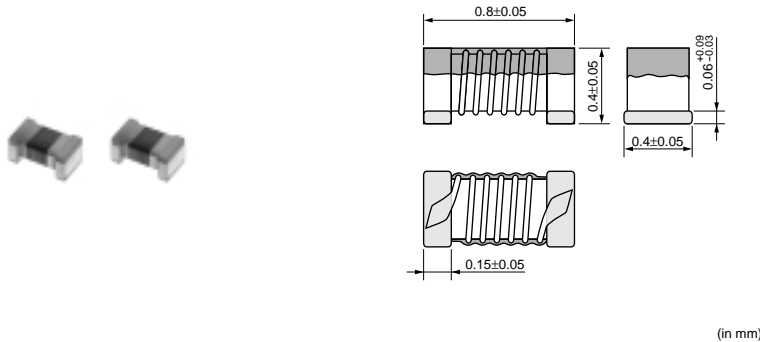
△Note • Please read rating and △CAUTION (for storage, operating, rating, soldering, mounting and handling) in this catalog to prevent smoking and/or burning, etc.  
• This catalog has only typical specifications because there is no space for detailed specifications. Therefore, please review our product specifications or consult the approval sheet for product specifications before ordering.

# LQW04A Series (03015 Size)



## 03015 Size, Wound Type

### ■ Dimensions



### ■ Packaging

Code	Packaging	Minimum Quantity
D	180mm Paper Tape	10000
B	Bulk(Bag)	500

Refer to pages from p.167 to p.170 for mounting information.

### ■ Rated Value (□: packaging code)

Part Number	Inductance	Test Frequency	Rated Current	Max. of DC Resistance	Q (min.)	Test Frequency	Self Resonance Frequency (min.)	
LQW04AN1N1C00□	1.1nH±0.2nH	100MHz	990mA	0.03ohm	15	250MHz	20.0GHz	Kit
LQW04AN1N1D00□	1.1nH±0.5nH	100MHz	990mA	0.03ohm	15	250MHz	20.0GHz	
LQW04AN1N8C00□	1.8nH±0.2nH	100MHz	700mA	0.06ohm	15	250MHz	17.0GHz	Kit
LQW04AN1N8D00□	1.8nH±0.5nH	100MHz	700mA	0.06ohm	15	250MHz	17.0GHz	
LQW04AN2N7C00□	2.7nH±0.2nH	100MHz	570mA	0.07ohm	15	250MHz	15.0GHz	Kit
LQW04AN2N7D00□	2.7nH±0.5nH	100MHz	570mA	0.07ohm	15	250MHz	15.0GHz	
LQW04AN3N0C00□	3.0nH±0.2nH	100MHz	620mA	0.07ohm	15	250MHz	13.0GHz	Kit
LQW04AN3N0D00□	3.0nH±0.5nH	100MHz	620mA	0.07ohm	15	250MHz	13.0GHz	
LQW04AN3N3C00□	3.3nH±0.2nH	100MHz	440mA	0.14ohm	10	250MHz	10.0GHz	Kit
LQW04AN3N3D00□	3.3nH±0.5nH	100MHz	440mA	0.14ohm	10	250MHz	10.0GHz	
LQW04AN3N6C00□	3.6nH±0.2nH	100MHz	530mA	0.10ohm	15	250MHz	13.0GHz	Kit
LQW04AN3N6D00□	3.6nH±0.5nH	100MHz	530mA	0.10ohm	15	250MHz	13.0GHz	
LQW04AN3N9C00□	3.9nH±0.2nH	100MHz	530mA	0.10ohm	15	250MHz	12.0GHz	Kit
LQW04AN3N9D00□	3.9nH±0.5nH	100MHz	530mA	0.10ohm	15	250MHz	12.0GHz	
LQW04AN4N3C00□	4.3nH±0.2nH	100MHz	530mA	0.10ohm	15	250MHz	11.0GHz	Kit
LQW04AN4N3D00□	4.3nH±0.5nH	100MHz	530mA	0.10ohm	15	250MHz	11.0GHz	
LQW04AN4N7C00□	4.7nH±0.2nH	100MHz	440mA	0.14ohm	20	250MHz	10.0GHz	Kit
LQW04AN4N7D00□	4.7nH±0.5nH	100MHz	440mA	0.14ohm	20	250MHz	10.0GHz	
LQW04AN5N1C00□	5.1nH±0.2nH	100MHz	470mA	0.12ohm	20	250MHz	10.0GHz	Kit
LQW04AN5N1D00□	5.1nH±0.5nH	100MHz	470mA	0.12ohm	20	250MHz	10.0GHz	
LQW04AN5N6C00□	5.6nH±0.2nH	100MHz	470mA	0.12ohm	20	250MHz	9.0GHz	Kit
LQW04AN5N6D00□	5.6nH±0.5nH	100MHz	470mA	0.12ohm	20	250MHz	9.0GHz	
LQW04AN6N2C00□	6.2nH±0.2nH	100MHz	390mA	0.19ohm	20	250MHz	9.0GHz	Kit
LQW04AN6N2D00□	6.2nH±0.5nH	100MHz	390mA	0.19ohm	20	250MHz	9.0GHz	
LQW04AN6N8C00□	6.8nH±0.2nH	100MHz	440mA	0.14ohm	20	250MHz	9.0GHz	Kit
LQW04AN6N8D00□	6.8nH±0.5nH	100MHz	440mA	0.14ohm	20	250MHz	9.0GHz	
LQW04AN7N5C00□	7.5nH±0.2nH	100MHz	440mA	0.14ohm	20	250MHz	8.0GHz	Kit
LQW04AN7N5D00□	7.5nH±0.5nH	100MHz	440mA	0.14ohm	20	250MHz	8.0GHz	
LQW04AN8N2C00□	8.2nH±0.2nH	100MHz	350mA	0.23ohm	20	250MHz	8.0GHz	Kit
LQW04AN8N2D00□	8.2nH±0.5nH	100MHz	350mA	0.23ohm	20	250MHz	8.0GHz	

Operating Temperature Range: -55°C to +125°C Only for reflow soldering.


Continued on the following page. ↗

△Note • Please read rating and △CAUTION (for storage, operating, rating, soldering, mounting and handling) in this catalog to prevent smoking and/or burning, etc.  
• This catalog has only typical specifications because there is no space for detailed specifications. Therefore, please review our product specifications or consult the approval sheet for product specifications before ordering.

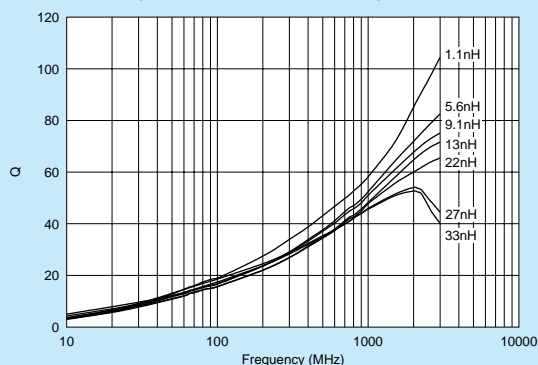


Part Number	Inductance	Test Frequency	Rated Current	Max. of DC Resistance	Q (min.)	Test Frequency	Self Resonance Frequency (min.)	
LQW04AN9N1C00□	9.1nH±0.2nH	100MHz	400mA	0.16ohm	20	250MHz	7.0GHz	Kit
LQW04AN9N1D00□	9.1nH±0.5nH	100MHz	400mA	0.16ohm	20	250MHz	7.0GHz	
LQW04AN10NH00□	10nH±3%	100MHz	330mA	0.26ohm	20	250MHz	7.0GHz	Kit
LQW04AN10NJ00□	10nH±5%	100MHz	330mA	0.26ohm	20	250MHz	7.0GHz	
LQW04AN11NH00□	11nH±3%	100MHz	310mA	0.28ohm	15	250MHz	7.0GHz	Kit
LQW04AN11NJ00□	11nH±5%	100MHz	310mA	0.28ohm	15	250MHz	7.0GHz	
LQW04AN12NH00□	12nH±3%	100MHz	310mA	0.28ohm	15	250MHz	6.0GHz	Kit
LQW04AN12NJ00□	12nH±5%	100MHz	310mA	0.28ohm	15	250MHz	6.0GHz	
LQW04AN13NH00□	13nH±3%	100MHz	280mA	0.34ohm	15	250MHz	6.0GHz	Kit
LQW04AN13NJ00□	13nH±5%	100MHz	280mA	0.34ohm	15	250MHz	6.0GHz	
LQW04AN15NH00□	15nH±3%	100MHz	240mA	0.48ohm	15	250MHz	5.5GHz	Kit
LQW04AN15NJ00□	15nH±5%	100MHz	240mA	0.48ohm	15	250MHz	5.5GHz	
LQW04AN16NH00□	16nH±3%	100MHz	270mA	0.38ohm	15	250MHz	5.5GHz	Kit
LQW04AN16NJ00□	16nH±5%	100MHz	270mA	0.38ohm	15	250MHz	5.5GHz	
LQW04AN18NH00□	18nH±3%	100MHz	220mA	0.54ohm	15	250MHz	5.0GHz	Kit
LQW04AN18NJ00□	18nH±5%	100MHz	220mA	0.54ohm	15	250MHz	5.0GHz	
LQW04AN19NH00□	19nH±3%	100MHz	160mA	0.73ohm	15	250MHz	5.0GHz	Kit
LQW04AN19NJ00□	19nH±5%	100MHz	160mA	0.73ohm	15	250MHz	5.0GHz	
LQW04AN20NH00□	20nH±3%	100MHz	210mA	0.56ohm	15	250MHz	5.0GHz	Kit
LQW04AN20NJ00□	20nH±5%	100MHz	210mA	0.56ohm	15	250MHz	5.0GHz	
LQW04AN22NH00□	22nH±3%	100MHz	200mA	0.63ohm	15	250MHz	5.0GHz	Kit
LQW04AN22NJ00□	22nH±5%	100MHz	200mA	0.63ohm	15	250MHz	5.0GHz	
LQW04AN23NH00□	23nH±3%	100MHz	160mA	0.95ohm	15	250MHz	4.0GHz	Kit
LQW04AN23NJ00□	23nH±5%	100MHz	160mA	0.95ohm	15	250MHz	4.0GHz	
LQW04AN24NH00□	24nH±3%	100MHz	160mA	0.95ohm	15	250MHz	4.0GHz	Kit
LQW04AN24NJ00□	24nH±5%	100MHz	160mA	0.95ohm	15	250MHz	4.0GHz	
LQW04AN25NH00□	25nH±3%	100MHz	160mA	0.95ohm	15	250MHz	4.0GHz	Kit
LQW04AN25NJ00□	25nH±5%	100MHz	160mA	0.95ohm	15	250MHz	4.0GHz	
LQW04AN27NH00□	27nH±3%	100MHz	160mA	0.95ohm	15	250MHz	4.0GHz	Kit
LQW04AN27NJ00□	27nH±5%	100MHz	160mA	0.95ohm	15	250MHz	4.0GHz	
LQW04AN33NH00□	33nH±3%	100MHz	140mA	1.11ohm	15	250MHz	4.0GHz	Kit
LQW04AN33NJ00□	33nH±5%	100MHz	140mA	1.11ohm	15	250MHz	4.0GHz	

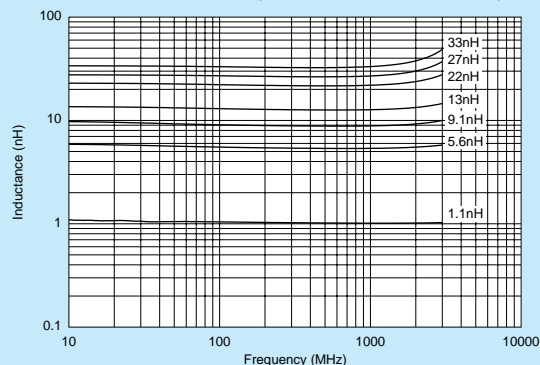
Operating Temperature Range: -55°C to +125°C Only for reflow soldering.

Continued on the following page. 

### ■ Q-Frequency Characteristics (Typ.)



### ■ Inductance-Frequency Characteristics (Typ.)



### ■ Reference Data

Part Number	Inductance (nH) Nominal	Q (Typ.)						
		300MHz	800MHz	900MHz	1.5GHz	1.8GHz	2.0GHz	2.4GHz
LQW04AN1N1	1.1	32	61	65	72	79	85	92
LQW04AN1N8	1.8	30	48	52	67	75	80	88
LQW04AN2N7	2.7	28	46	50	65	70	75	85
LQW04AN3N0	3.0	29	47	50	65	70	75	85
LQW04AN3N3	3.3	24	40	43	57	62	64	69
LQW04AN3N6	3.6	28	46	48	64	69	72	78
LQW04AN3N9	3.9	27	46	48	64	69	72	79
LQW04AN4N3	4.3	29	47	50	64	69	73	79
LQW04AN4N7	4.7	26	43	45	58	63	67	72
LQW04AN5N1	5.1	30	47	49	62	69	72	80
LQW04AN5N6	5.6	29	47	49	62	69	72	79
LQW04AN6N2	6.2	26	42	45	58	63	65	70
LQW04AN6N8	6.8	28	45	48	60	66	68	74
LQW04AN7N5	7.5	28	45	47	60	66	67	70
LQW04AN8N2	8.2	27	43	45	57	61	63	67
LQW04AN9N1	9.1	28	45	47	58	65	66	68
LQW04AN10N	10	27	43	46	56	61	63	65
LQW04AN11N	11	27	43	46	58	63	65	67
LQW04AN12N	12	28	44	47	58	63	64	66
LQW04AN13N	13	27	44	46	58	62	64	66
LQW04AN15N	15	27	43	45	55	59	60	61
LQW04AN16N	16	27	43	47	56	60	61	61
LQW04AN18N	18	27	42	45	55	57	58	57
LQW04AN20N	20	27	42	45	54	57	58	55
LQW04AN22N	22	27	42	46	54	56	57	55
LQW04AN27N	27	30	42	44	50	51	50	47
LQW04AN33N	33	30	43	45	52	52	50	47

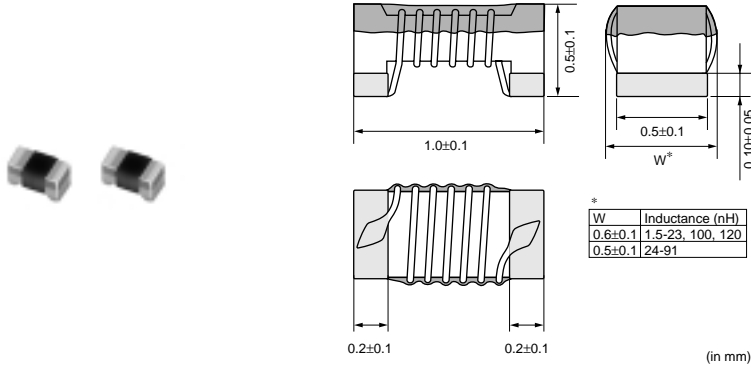
△Note • Please read rating and △CAUTION (for storage, operating, rating, soldering, mounting and handling) in this catalog to prevent smoking and/or burning, etc.  
 • This catalog has only typical specifications because there is no space for detailed specifications. Therefore, please review our product specifications or consult the approval sheet for product specifications before ordering.

# LQW15A\_00 Series (0402 Size)



## 0402 Size, Wound Type

### ■ Dimensions



### ■ Packaging

Code	Packaging	Minimum Quantity
D	180mm Paper Tape	10000
B	Bulk (Bag)	500

Refer to pages from p.167 to p.170 for mounting information.

### ■ Rated Value (□: packaging code)

Part Number	Inductance	Test Frequency	Rated Current	Max. of DC Resistance	Q (min.)	Test Frequency	Self Resonance Frequency (min.)	
LQW15AN1N5B00□	1.5nH±0.1nH	100MHz	1000mA	0.03ohm	10	250MHz	18.0GHz	Kit
LQW15AN1N5C00□	1.5nH±0.2nH	100MHz	1000mA	0.03ohm	10	250MHz	18.0GHz	
LQW15AN1N5D00□	1.5nH±0.5nH	100MHz	1000mA	0.03ohm	10	250MHz	18.0GHz	
LQW15AN2N4B00□	2.4nH±0.1nH	100MHz	850mA	0.05ohm	20	250MHz	15.0GHz	Kit
LQW15AN2N4C00□	2.4nH±0.2nH	100MHz	850mA	0.05ohm	20	250MHz	15.0GHz	
LQW15AN2N4D00□	2.4nH±0.5nH	100MHz	850mA	0.05ohm	20	250MHz	15.0GHz	
LQW15AN2N5B00□	2.5nH±0.1nH	100MHz	850mA	0.05ohm	20	250MHz	15.0GHz	Kit
LQW15AN2N5C00□	2.5nH±0.2nH	100MHz	850mA	0.05ohm	20	250MHz	15.0GHz	
LQW15AN2N5D00□	2.5nH±0.5nH	100MHz	850mA	0.05ohm	20	250MHz	15.0GHz	
LQW15AN2N7B00□	2.7nH±0.1nH	100MHz	850mA	0.05ohm	20	250MHz	15.0GHz	Kit
LQW15AN2N7C00□	2.7nH±0.2nH	100MHz	850mA	0.05ohm	20	250MHz	15.0GHz	
LQW15AN2N7D00□	2.7nH±0.5nH	100MHz	850mA	0.05ohm	20	250MHz	15.0GHz	
LQW15AN2N9B00□	2.9nH±0.1nH	100MHz	750mA	0.07ohm	20	250MHz	15.0GHz	Kit
LQW15AN2N9C00□	2.9nH±0.2nH	100MHz	750mA	0.07ohm	20	250MHz	15.0GHz	
LQW15AN2N9D00□	2.9nH±0.5nH	100MHz	750mA	0.07ohm	20	250MHz	15.0GHz	
LQW15AN3N9B00□	3.9nH±0.1nH	100MHz	750mA	0.07ohm	25	250MHz	10.0GHz	Kit
LQW15AN3N9C00□	3.9nH±0.2nH	100MHz	750mA	0.07ohm	25	250MHz	10.0GHz	
LQW15AN3N9D00□	3.9nH±0.5nH	100MHz	750mA	0.07ohm	25	250MHz	10.0GHz	
LQW15AN4N1B00□	4.1nH±0.1nH	100MHz	750mA	0.07ohm	25	250MHz	10.0GHz	Kit
LQW15AN4N1C00□	4.1nH±0.2nH	100MHz	750mA	0.07ohm	25	250MHz	10.0GHz	
LQW15AN4N1D00□	4.1nH±0.5nH	100MHz	750mA	0.07ohm	25	250MHz	10.0GHz	
LQW15AN4N3B00□	4.3nH±0.1nH	100MHz	750mA	0.07ohm	25	250MHz	10.0GHz	Kit
LQW15AN4N3C00□	4.3nH±0.2nH	100MHz	750mA	0.07ohm	25	250MHz	10.0GHz	
LQW15AN4N3D00□	4.3nH±0.5nH	100MHz	750mA	0.07ohm	25	250MHz	10.0GHz	
LQW15AN4N7B00□	4.7nH±0.1nH	100MHz	750mA	0.07ohm	25	250MHz	8.0GHz	Kit
LQW15AN4N7C00□	4.7nH±0.2nH	100MHz	750mA	0.07ohm	25	250MHz	8.0GHz	
LQW15AN4N7D00□	4.7nH±0.5nH	100MHz	750mA	0.07ohm	25	250MHz	8.0GHz	
LQW15AN5N1B00□	5.1nH±0.1nH	100MHz	600mA	0.12ohm	25	250MHz	8.0GHz	Kit
LQW15AN5N1C00□	5.1nH±0.2nH	100MHz	600mA	0.12ohm	25	250MHz	8.0GHz	
LQW15AN5N1D00□	5.1nH±0.5nH	100MHz	600mA	0.12ohm	25	250MHz	8.0GHz	

Operating Temperature Range: -55°C to +125°C Only for reflow soldering.

Continued on the following page. ↗

△Note • Please read rating and △CAUTION (for storage, operating, rating, soldering, mounting and handling) in this catalog to prevent smoking and/or burning, etc.  
• This catalog has only typical specifications because there is no space for detailed specifications. Therefore, please review our product specifications or consult the approval sheet for product specifications before ordering.


Inductor for Power Lines (Power Inductor)

Inductor for Low Frequency Circuits

RF Inductor  
Wire Wound Non-Magnetic Type (Horizontal Axis)

Part Number	Inductance	Test Frequency	Rated Current	Max. of DC Resistance	Q (min.)	Test Frequency	Self Resonance Frequency (min.)	
LQW15AN5N8B00□	5.8nH±0.1nH	100MHz	700mA	0.12ohm	25	250MHz	8.0GHz	Kit
LQW15AN5N8C00□	5.8nH±0.2nH	100MHz	700mA	0.12ohm	25	250MHz	8.0GHz	
LQW15AN5N8D00□	5.8nH±0.5nH	100MHz	700mA	0.12ohm	25	250MHz	8.0GHz	
LQW15AN6N2B00□	6.2nH±0.1nH	100MHz	700mA	0.09ohm	25	250MHz	8.0GHz	Kit
LQW15AN6N2C00□	6.2nH±0.2nH	100MHz	700mA	0.09ohm	25	250MHz	8.0GHz	
LQW15AN6N2D00□	6.2nH±0.5nH	100MHz	700mA	0.09ohm	25	250MHz	8.0GHz	
LQW15AN6N8G00□	6.8nH±2%	100MHz	700mA	0.09ohm	25	250MHz	6.0GHz	Kit
LQW15AN6N8H00□	6.8nH±3%	100MHz	700mA	0.09ohm	25	250MHz	6.0GHz	
LQW15AN6N8J00□	6.8nH±5%	100MHz	700mA	0.09ohm	25	250MHz	6.0GHz	
LQW15AN7N3G00□	7.3nH±2%	100MHz	570mA	0.13ohm	25	250MHz	6.0GHz	Kit
LQW15AN7N3H00□	7.3nH±3%	100MHz	570mA	0.13ohm	25	250MHz	6.0GHz	
LQW15AN7N3J00□	7.3nH±5%	100MHz	570mA	0.13ohm	25	250MHz	6.0GHz	
LQW15AN7N5G00□	7.5nH±2%	100MHz	570mA	0.13ohm	25	250MHz	6.0GHz	Kit
LQW15AN7N5H00□	7.5nH±3%	100MHz	570mA	0.13ohm	25	250MHz	6.0GHz	
LQW15AN7N5J00□	7.5nH±5%	100MHz	570mA	0.13ohm	25	250MHz	6.0GHz	
LQW15AN8N2G00□	8.2nH±2%	100MHz	540mA	0.14ohm	25	250MHz	5.5GHz	Kit
LQW15AN8N2H00□	8.2nH±3%	100MHz	540mA	0.14ohm	25	250MHz	5.5GHz	
LQW15AN8N2J00□	8.2nH±5%	100MHz	540mA	0.14ohm	25	250MHz	5.5GHz	
LQW15AN8N7G00□	8.7nH±2%	100MHz	540mA	0.14ohm	25	250MHz	5.5GHz	Kit
LQW15AN8N7H00□	8.7nH±3%	100MHz	540mA	0.14ohm	25	250MHz	5.5GHz	
LQW15AN8N7J00□	8.7nH±5%	100MHz	540mA	0.14ohm	25	250MHz	5.5GHz	
LQW15AN9N1G00□	9.1nH±2%	100MHz	540mA	0.14ohm	25	250MHz	5.5GHz	Kit
LQW15AN9N1H00□	9.1nH±3%	100MHz	540mA	0.14ohm	25	250MHz	5.5GHz	
LQW15AN9N1J00□	9.1nH±5%	100MHz	540mA	0.14ohm	25	250MHz	5.5GHz	
LQW15AN9N5G00□	9.5nH±2%	100MHz	540mA	0.14ohm	25	250MHz	5.5GHz	Kit
LQW15AN9N5H00□	9.5nH±3%	100MHz	540mA	0.14ohm	25	250MHz	5.5GHz	
LQW15AN9N5J00□	9.5nH±5%	100MHz	540mA	0.14ohm	25	250MHz	5.5GHz	
LQW15AN10NG00□	10nH±2%	100MHz	500mA	0.17ohm	25	250MHz	5.5GHz	Kit
LQW15AN10NH00□	10nH±3%	100MHz	500mA	0.17ohm	25	250MHz	5.5GHz	
LQW15AN10NJ00□	10nH±5%	100MHz	500mA	0.17ohm	25	250MHz	5.5GHz	
LQW15AN11NG00□	11nH±2%	100MHz	500mA	0.14ohm	30	250MHz	5.5GHz	Kit
LQW15AN11NH00□	11nH±3%	100MHz	500mA	0.14ohm	30	250MHz	5.5GHz	
LQW15AN11NJ00□	11nH±5%	100MHz	500mA	0.14ohm	30	250MHz	5.5GHz	
LQW15AN12NG00□	12nH±2%	100MHz	500mA	0.14ohm	30	250MHz	5.5GHz	Kit
LQW15AN12NH00□	12nH±3%	100MHz	500mA	0.14ohm	30	250MHz	5.5GHz	
LQW15AN12NJ00□	12nH±5%	100MHz	500mA	0.14ohm	30	250MHz	5.5GHz	
LQW15AN13NG00□	13nH±2%	100MHz	430mA	0.21ohm	25	250MHz	5.0GHz	Kit
LQW15AN13NH00□	13nH±3%	100MHz	430mA	0.21ohm	25	250MHz	5.0GHz	
LQW15AN13NJ00□	13nH±5%	100MHz	430mA	0.21ohm	25	250MHz	5.0GHz	
LQW15AN15NG00□	15nH±2%	100MHz	460mA	0.16ohm	30	250MHz	5.0GHz	Kit
LQW15AN15NH00□	15nH±3%	100MHz	460mA	0.16ohm	30	250MHz	5.0GHz	
LQW15AN15NJ00□	15nH±5%	100MHz	460mA	0.16ohm	30	250MHz	5.0GHz	
LQW15AN16NG00□	16nH±2%	100MHz	370mA	0.24ohm	25	250MHz	4.5GHz	Kit
LQW15AN16NH00□	16nH±3%	100MHz	370mA	0.24ohm	25	250MHz	4.5GHz	


Operating Temperature Range: -55°C to +125°C Only for reflow soldering.

Continued on the following page. 

△Note • Please read rating and △CAUTION (for storage, operating, rating, soldering, mounting and handling) in this catalog to prevent smoking and/or burning, etc.  
• This catalog has only typical specifications because there is no space for detailed specifications. Therefore, please review our product specifications or consult the approval sheet for product specifications before ordering.

Part Number	Inductance	Test Frequency	Rated Current	Max. of DC Resistance	Q (min.)	Test Frequency	Self Resonance Frequency (min.)	
LQW15AN16NJ00□	16nH±5%	100MHz	370mA	0.24ohm	25	250MHz	4.5GHz	
LQW15AN18NG00□	18nH±2%	100MHz	370mA	0.27ohm	25	250MHz	4.5GHz	Kit
LQW15AN18NH00□	18nH±3%	100MHz	370mA	0.27ohm	25	250MHz	4.5GHz	
LQW15AN18NJ00□	18nH±5%	100MHz	370mA	0.27ohm	25	250MHz	4.5GHz	
LQW15AN19NG00□	19nH±2%	100MHz	370mA	0.27ohm	25	250MHz	4.5GHz	Kit
LQW15AN19NH00□	19nH±3%	100MHz	370mA	0.27ohm	25	250MHz	4.5GHz	
LQW15AN19NJ00□	19nH±5%	100MHz	370mA	0.27ohm	25	250MHz	4.5GHz	
LQW15AN20NG00□	20nH±2%	100MHz	370mA	0.27ohm	25	250MHz	4.0GHz	Kit
LQW15AN20NH00□	20nH±3%	100MHz	370mA	0.27ohm	25	250MHz	4.0GHz	
LQW15AN20NJ00□	20nH±5%	100MHz	370mA	0.27ohm	25	250MHz	4.0GHz	
LQW15AN22NG00□	22nH±2%	100MHz	310mA	0.30ohm	25	250MHz	4.0GHz	Kit
LQW15AN22NH00□	22nH±3%	100MHz	310mA	0.30ohm	25	250MHz	4.0GHz	
LQW15AN22NJ00□	22nH±5%	100MHz	310mA	0.30ohm	25	250MHz	4.0GHz	
LQW15AN23NG00□	23nH±2%	100MHz	310mA	0.30ohm	25	250MHz	3.8GHz	Kit
LQW15AN23NH00□	23nH±3%	100MHz	310mA	0.30ohm	25	250MHz	3.8GHz	
LQW15AN23NJ00□	23nH±5%	100MHz	310mA	0.30ohm	25	250MHz	3.8GHz	
LQW15AN24NG00□	24nH±2%	100MHz	280mA	0.52ohm	25	250MHz	3.5GHz	Kit
LQW15AN24NH00□	24nH±3%	100MHz	280mA	0.52ohm	25	250MHz	3.5GHz	
LQW15AN24NJ00□	24nH±5%	100MHz	280mA	0.52ohm	25	250MHz	3.5GHz	
LQW15AN27NG00□	27nH±2%	100MHz	280mA	0.52ohm	25	250MHz	3.5GHz	Kit
LQW15AN27NH00□	27nH±3%	100MHz	280mA	0.52ohm	25	250MHz	3.5GHz	
LQW15AN27NJ00□	27nH±5%	100MHz	280mA	0.52ohm	25	250MHz	3.5GHz	
LQW15AN30NG00□	30nH±2%	100MHz	270mA	0.58ohm	25	250MHz	3.3GHz	Kit
LQW15AN30NH00□	30nH±3%	100MHz	270mA	0.58ohm	25	250MHz	3.3GHz	
LQW15AN30NJ00□	30nH±5%	100MHz	270mA	0.58ohm	25	250MHz	3.3GHz	
LQW15AN33NG00□	33nH±2%	100MHz	260mA	0.63ohm	25	250MHz	3.2GHz	Kit
LQW15AN33NH00□	33nH±3%	100MHz	260mA	0.63ohm	25	250MHz	3.2GHz	
LQW15AN33NJ00□	33nH±5%	100MHz	260mA	0.63ohm	25	250MHz	3.2GHz	
LQW15AN36NG00□	36nH±2%	100MHz	260mA	0.63ohm	25	250MHz	3.1GHz	Kit
LQW15AN36NH00□	36nH±3%	100MHz	260mA	0.63ohm	25	250MHz	3.1GHz	
LQW15AN36NJ00□	36nH±5%	100MHz	260mA	0.63ohm	25	250MHz	3.1GHz	
LQW15AN39NG00□	39nH±2%	100MHz	250mA	0.70ohm	25	250MHz	3.0GHz	Kit
LQW15AN39NH00□	39nH±3%	100MHz	250mA	0.70ohm	25	250MHz	3.0GHz	
LQW15AN39NJ00□	39nH±5%	100MHz	250mA	0.70ohm	25	250MHz	3.0GHz	
LQW15AN40NG00□	40nH±2%	100MHz	250mA	0.70ohm	25	250MHz	3.0GHz	Kit
LQW15AN40NH00□	40nH±3%	100MHz	250mA	0.70ohm	25	250MHz	3.0GHz	
LQW15AN40NJ00□	40nH±5%	100MHz	250mA	0.70ohm	25	250MHz	3.0GHz	
LQW15AN43NG00□	43nH±2%	100MHz	250mA	0.70ohm	25	250MHz	3.0GHz	Kit
LQW15AN43NH00□	43nH±3%	100MHz	250mA	0.70ohm	25	250MHz	3.0GHz	
LQW15AN43NJ00□	43nH±5%	100MHz	250mA	0.70ohm	25	250MHz	3.0GHz	
LQW15AN47NG00□	47nH±2%	100MHz	210mA	1.08ohm	25	200MHz	2.9GHz	Kit
LQW15AN47NH00□	47nH±3%	100MHz	210mA	1.08ohm	25	200MHz	2.9GHz	
LQW15AN47NJ00□	47nH±5%	100MHz	210mA	1.08ohm	25	200MHz	2.9GHz	
LQW15AN51NG00□	51nH±2%	100MHz	210mA	1.08ohm	25	200MHz	2.85GHz	Kit

Operating Temperature Range: -55°C to +125°C Only for reflow soldering.

Continued on the following page. 

△Note • Please read rating and △CAUTION (for storage, operating, rating, soldering, mounting and handling) in this catalog to prevent smoking and/or burning, etc.  
• This catalog has only typical specifications because there is no space for detailed specifications. Therefore, please review our product specifications or consult the approval sheet for product specifications before ordering.

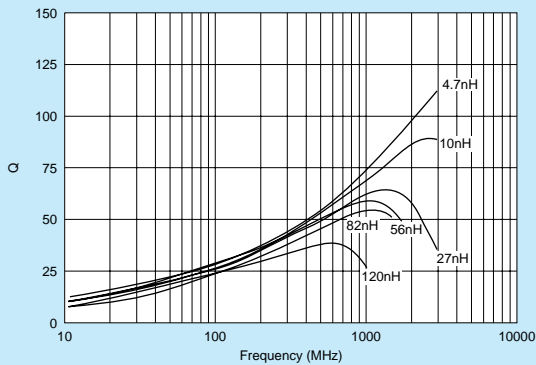
O05E.pdf  
Oct.13,2011



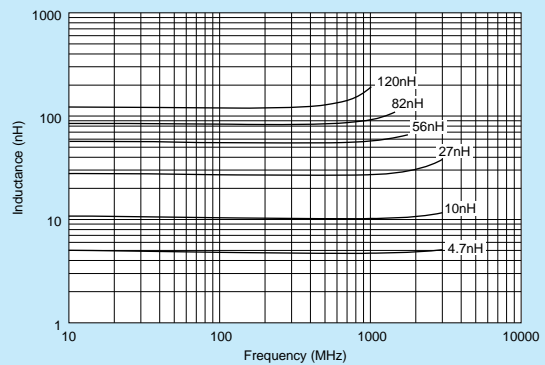
Part Number	Inductance	Test Frequency	Rated Current	Max. of DC Resistance	Q (min.)	Test Frequency	Self Resonance Frequency (min.)	
LQW15AN51NH00□	51nH±3%	100MHz	210mA	1.08ohm	25	200MHz	2.85GHz	
LQW15AN51NJ00□	51nH±5%	100MHz	210mA	1.08ohm	25	200MHz	2.85GHz	
LQW15AN56NG00□	56nH±2%	100MHz	200mA	1.17ohm	25	200MHz	2.8GHz	Kit
LQW15AN56NH00□	56nH±3%	100MHz	200mA	1.17ohm	25	200MHz	2.8GHz	
LQW15AN56NJ00□	56nH±5%	100MHz	200mA	1.17ohm	25	200MHz	2.8GHz	
LQW15AN62NG00□	62nH±2%	100MHz	145mA	1.82ohm	20	200MHz	2.6GHz	Kit
LQW15AN62NH00□	62nH±3%	100MHz	145mA	1.82ohm	20	200MHz	2.6GHz	
LQW15AN62NJ00□	62nH±5%	100MHz	145mA	1.82ohm	20	200MHz	2.6GHz	
LQW15AN68NG00□	68nH±2%	100MHz	140mA	1.96ohm	20	200MHz	2.5GHz	Kit
LQW15AN68NJ00□	68nH±5%	100MHz	140mA	1.96ohm	20	200MHz	2.5GHz	
LQW15AN72NG00□	72nH±2%	100MHz	135mA	2.10ohm	20	150MHz	2.5GHz	
LQW15AN72NJ00□	72nH±5%	100MHz	135mA	2.10ohm	20	150MHz	2.5GHz	
LQW15AN75NG00□	75nH±2%	100MHz	135mA	2.10ohm	20	150MHz	2.4GHz	Kit
LQW15AN75NJ00□	75nH±5%	100MHz	135mA	2.10ohm	20	150MHz	2.4GHz	
LQW15AN82NG00□	82nH±2%	100MHz	130mA	2.24ohm	20	150MHz	2.3GHz	Kit
LQW15AN82NJ00□	82nH±5%	100MHz	130mA	2.24ohm	20	150MHz	2.3GHz	
LQW15AN91NG00□	91nH±2%	100MHz	125mA	2.38ohm	20	150MHz	2.1GHz	Kit
LQW15AN91NJ00□	91nH±5%	100MHz	125mA	2.38ohm	20	150MHz	2.1GHz	
LQW15ANR10J00□	100nH±5%	100MHz	120mA	2.52ohm	20	150MHz	1.5GHz	Kit
LQW15ANR12J00□	120nH±5%	100MHz	110mA	2.66ohm	20	150MHz	1.0GHz	Kit

Operating Temperature Range: -55°C to +125°C Only for reflow soldering.

■ Q-Frequency Characteristics (Typ.)



■ Inductance-Frequency Characteristics (Typ.)



Continued on the following page.

△Note • Please read rating and △CAUTION (for storage, operating, rating, soldering, mounting and handling) in this catalog to prevent smoking and/or burning, etc.  
 • This catalog has only typical specifications because there is no space for detailed specifications. Therefore, please review our product specifications or consult the approval sheet for product specifications before ordering.

## Reference Data

### LQW15A\_00

Part Number	Inductance (nH)	Q (Typ.)						
	Nominal	300MHz	800MHz	900MHz	1.5GHz	1.8GHz	2.0GHz	2.4GHz
LQW15AN1N5	1.5	30	55	60	65	90	100	115
LQW15AN2N4	2.4	40	65	67	80	98	108	120
LQW15AN2N5	2.5	40	65	67	88	90	100	110
LQW15AN2N7	2.7	40	67	73	85	100	105	120
LQW15AN2N9	2.9	33	53	58	75	80	85	92
LQW15AN3N9	3.9	35	58	61	82	88	92	100
LQW15AN4N1	4.1	35	58	61	82	88	92	100
LQW15AN4N3	4.3	35	58	61	90	88	92	100
LQW15AN4N7	4.7	40	65	67	85	88	92	95
LQW15AN5N1	5.1	35	60	65	78	85	90	95
LQW15AN5N8	5.8	40	63	67	85	88	92	105
LQW15AN6N2	6.2	40	63	65	80	90	95	105
LQW15AN6N8	6.8	45	70	72	90	96	100	103
LQW15AN7N3	7.3	38	58	63	75	88	90	92
LQW15AN7N5	7.5	38	58	63	75	88	90	92
LQW15AN8N2	8.2	40	62	67	80	90	95	102
LQW15AN8N7	8.7	40	60	62	80	85	90	92
LQW15AN9N1	9.1	40	62	68	85	90	92	95
LQW15AN9N5	9.5	40	62	68	85	90	92	95
LQW15AN10N	10	38	60	65	75	82	85	84
LQW15AN11N	11	40	65	70	90	105	110	120
LQW15AN12N	12	40	60	62	80	85	90	91
LQW15AN13N	13	40	60	62	70	72	71	67
LQW15AN15N	15	40	60	65	80	85	88	90
LQW15AN16N	16	40	60	63	80	90	100	110
LQW15AN18N	18	40	63	65	80	88	87	85
LQW15AN19N	19	37	57	62	78	80	82	83
LQW15AN20N	20	37	57	62	78	80	82	83
LQW15AN22N	22	35	55	58	73	75	78	-
LQW15AN23N	23	35	55	58	73	75	78	-
LQW15AN24N	24	35	50	50	48	42	-	-
LQW15AN27N	27	35	55	56	60	58	-	-
LQW15AN30N	30	35	55	58	65	68	-	-
LQW15AN33N	33	35	55	56	60	53	-	-
LQW15AN36N	36	35	52	52	48	42	-	-
LQW15AN39N	39	35	55	56	62	-	-	-
LQW15AN40N	40	35	55	56	62	-	-	-
LQW15AN43N	43	35	55	56	62	-	-	-
LQW15AN47N	47	34	52	54	60	-	-	-
LQW15AN51N	51	34	52	54	60	-	-	-
LQW15AN56N	56	36	53	55	50	-	-	-
LQW15AN62N	62	33	51	52	-	-	-	-
LQW15AN68N	68	35	49	52	-	-	-	-
LQW15AN72N	72	33	49	52	-	-	-	-
LQW15AN75N	75	33	49	52	-	-	-	-
LQW15AN82N	82	35	49	50	-	-	-	-
LQW15AN91N	91	35	52	53	-	-	-	-
LQW15ANR10	100	30	43	43	-	-	-	-
LQW15ANR12	120	28	30	23	-	-	-	-

△Note • Please read rating and △CAUTION (for storage, operating, rating, soldering, mounting and handling) in this catalog to prevent smoking and/or burning, etc.  
 • This catalog has only typical specifications because there is no space for detailed specifications. Therefore, please review our product specifications or consult the approval sheet for product specifications before ordering.

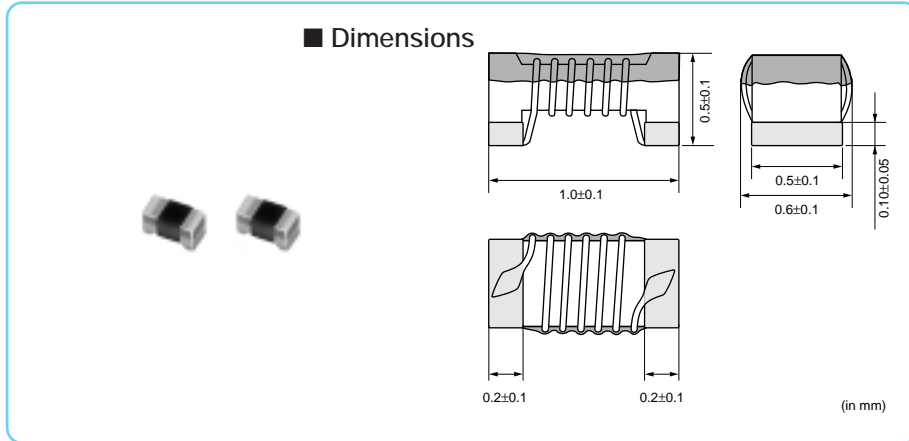


# LQW15A-10 Series (0402 Size)

LQW15A\_10



0402 Size, High Q Wound, Low DC Resistance Type



**■ Packaging**

Code	Packaging	Minimum Quantity
D	180mm Paper Tape	10000
B	Bulk(Bag)	500

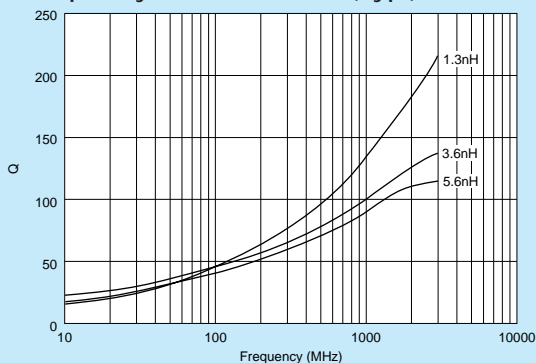
Refer to pages from p.167 to p.170 for mounting information.

**■ Rated Value** (□: packaging code)

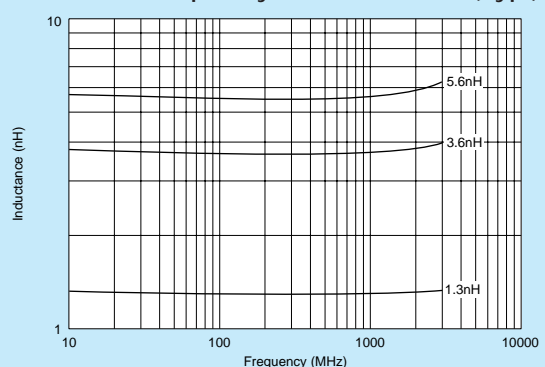
Part Number	Inductance	Test Frequency	Rated Current	Max. of DC Resistance	Q (min.)	Test Frequency	Self Resonance Frequency (min.)	
LQW15AN1N3C10□	1.3nH±0.2nH	100MHz	1200mA	0.017ohm	20	250MHz	16.0GHz	Kit
LQW15AN1N3D10□	1.3nH±0.5nH	100MHz	1200mA	0.017ohm	20	250MHz	16.0GHz	
LQW15AN2N2C10□	2.2nH±0.2nH	100MHz	1000mA	0.027ohm	25	250MHz	14.0GHz	Kit
LQW15AN2N2D10□	2.2nH±0.5nH	100MHz	1000mA	0.027ohm	25	250MHz	14.0GHz	
LQW15AN2N4D10□	2.4nH±0.5nH	100MHz	1000mA	0.027ohm	25	250MHz	14.0GHz	
LQW15AN3N3D10□	3.3nH±0.5nH	100MHz	900mA	0.040ohm	30	250MHz	12.0GHz	Kit
LQW15AN3N4C10□	3.4nH±0.2nH	100MHz	900mA	0.040ohm	30	250MHz	12.0GHz	Kit
LQW15AN3N4D10□	3.4nH±0.5nH	100MHz	900mA	0.040ohm	30	250MHz	12.0GHz	
LQW15AN3N6C10□	3.6nH±0.2nH	100MHz	900mA	0.040ohm	30	250MHz	9.5GHz	Kit
LQW15AN3N6D10□	3.6nH±0.5nH	100MHz	900mA	0.040ohm	30	250MHz	9.5GHz	
LQW15AN3N9D10□	3.9nH±0.5nH	100MHz	900mA	0.040ohm	30	250MHz	7.0GHz	
LQW15AN4N7D10□	4.7nH±0.5nH	100MHz	800mA	0.051ohm	30	250MHz	8.0GHz	
LQW15AN5N1C10□	5.1nH±0.2nH	100MHz	800mA	0.051ohm	30	250MHz	8.0GHz	
LQW15AN5N1D10□	5.1nH±0.5nH	100MHz	800mA	0.051ohm	30	250MHz	8.0GHz	
LQW15AN5N6C10□	5.6nH±0.2nH	100MHz	800mA	0.051ohm	30	250MHz	8.0GHz	Kit
LQW15AN5N6D10□	5.6nH±0.5nH	100MHz	800mA	0.051ohm	30	250MHz	8.0GHz	

Operating Temperature Range: -55°C to +125°C Only for reflow soldering.

**■ Q-Frequency Characteristics (Typ.)**



**■ Inductance-Frequency Characteristics (Typ.)**



Continued on the following page.

△Note • Please read rating and △CAUTION (for storage, operating, rating, soldering, mounting and handling) in this catalog to prevent smoking and/or burning, etc.  
 • This catalog has only typical specifications because there is no space for detailed specifications. Therefore, please review our product specifications or consult the approval sheet for product specifications before ordering.

Inductor for Power Lines (Power Inductor)

Inductor for Low Frequency Circuits

RF Inductor

Wire Wound Non-Magnetic Type (Horizontal Axis)

■ Reference Data

## LQW15A\_10

Part Number	Inductance (nH)	Q (Typ.)							
		Nominal	800MHz	900MHz	1.0GHz	1.5GHz	1.8GHz	2.0GHz	2.4GHz
LQW15AN1N3	1.3		90	95	100	130	145	160	180
LQW15AN2N2	2.2		85	90	95	115	130	140	160
LQW15AN2N4	2.4		80	85	90	110	130	140	160
LQW15AN3N3	3.3		80	85	90	110	120	128	140
LQW15AN3N4	3.4		80	85	90	110	120	128	140
LQW15AN3N6	3.6		73	75	85	100	110	115	130
LQW15AN3N9	3.9		75	80	83	95	110	115	120
LQW15AN4N7	4.7		75	80	85	100	113	120	132
LQW15AN5N1	5.1		75	80	85	100	110	115	128
LQW15AN5N6	5.6		70	75	78	95	100	105	110

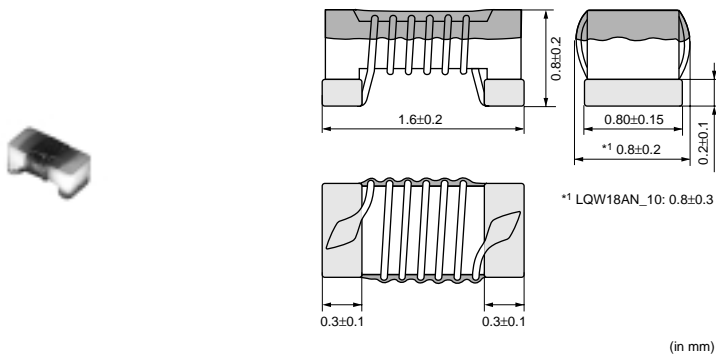
# LQW18A\_00 Series (0603 Size)

LQW18A\_00



## 0603 Size, Wound Type

### ■ Dimensions



### ■ Packaging

Code	Packaging	Minimum Quantity
D	180mm Paper Tape	4000
J	330mm Paper Tape	10000
B	Bulk(Bag)	500

Refer to pages from p.167 to p.170 for mounting information.

### ■ Rated Value (□: packaging code)

Part Number	Inductance	Test Frequency	Rated Current	Max. of DC Resistance	Q (min.)	Test Frequency	Self Resonance Frequency (min.)	
LQW18AN2N2D00□	2.2nH±0.5nH	100MHz	700mA	0.049ohm	16	250MHz	6000MHz	
LQW18AN3N6C00□	3.6nH±0.2nH	100MHz	850mA	0.059ohm	25	250MHz	6000MHz	Kit
LQW18AN3N6D00□	3.6nH±0.5nH	100MHz	850mA	0.059ohm	25	250MHz	6000MHz	
LQW18AN3N9C00□	3.9nH±0.2nH	100MHz	850mA	0.059ohm	35	250MHz	6000MHz	Kit
LQW18AN3N9D00□	3.9nH±0.5nH	100MHz	850mA	0.059ohm	35	250MHz	6000MHz	
LQW18AN4N3C00□	4.3nH±0.2nH	100MHz	850mA	0.059ohm	35	250MHz	6000MHz	Kit
LQW18AN4N3D00□	4.3nH±0.5nH	100MHz	850mA	0.059ohm	35	250MHz	6000MHz	
LQW18AN4N7D00□	4.7nH±0.5nH	100MHz	850mA	0.059ohm	35	250MHz	6000MHz	
LQW18AN5N6C00□	5.6nH±0.2nH	100MHz	750mA	0.082ohm	35	250MHz	6000MHz	Kit
LQW18AN5N6D00□	5.6nH±0.5nH	100MHz	750mA	0.082ohm	35	250MHz	6000MHz	
LQW18AN6N2C00□	6.2nH±0.2nH	100MHz	750mA	0.082ohm	35	250MHz	6000MHz	Kit
LQW18AN6N2D00□	6.2nH±0.5nH	100MHz	750mA	0.082ohm	35	250MHz	6000MHz	
LQW18AN6N8C00□	6.8nH±0.2nH	100MHz	750mA	0.082ohm	35	250MHz	6000MHz	Kit
LQW18AN6N8D00□	6.8nH±0.5nH	100MHz	750mA	0.082ohm	35	250MHz	6000MHz	
LQW18AN7N5D00□	7.5nH±0.5nH	100MHz	750mA	0.082ohm	35	250MHz	6000MHz	
LQW18AN8N2D00□	8.2nH±0.5nH	100MHz	650mA	0.11ohm	35	250MHz	6000MHz	
LQW18AN8N7D00□	8.7nH±0.5nH	100MHz	650mA	0.11ohm	35	250MHz	6000MHz	
LQW18AN9N1D00□	9.1nH±0.5nH	100MHz	650mA	0.11ohm	35	250MHz	6000MHz	
LQW18AN9N5D00□	9.5nH±0.5nH	100MHz	650mA	0.11ohm	35	250MHz	6000MHz	
LQW18AN10NG00□	10nH±2%	100MHz	650mA	0.11ohm	35	250MHz	6000MHz	Kit
LQW18AN10NJ00□	10nH±5%	100MHz	650mA	0.11ohm	35	250MHz	6000MHz	
LQW18AN11NG00□	11nH±2%	100MHz	650mA	0.11ohm	35	250MHz	6000MHz	Kit
LQW18AN11NJ00□	11nH±5%	100MHz	650mA	0.11ohm	35	250MHz	6000MHz	
LQW18AN12NG00□	12nH±2%	100MHz	600mA	0.13ohm	35	250MHz	6000MHz	Kit
LQW18AN12NJ00□	12nH±5%	100MHz	600mA	0.13ohm	35	250MHz	6000MHz	
LQW18AN13NG00□	13nH±2%	100MHz	600mA	0.13ohm	35	250MHz	6000MHz	Kit
LQW18AN13NJ00□	13nH±5%	100MHz	600mA	0.13ohm	35	250MHz	6000MHz	
LQW18AN15NG00□	15nH±2%	100MHz	600mA	0.13ohm	40	250MHz	6000MHz	Kit
LQW18AN15NJ00□	15nH±5%	100MHz	600mA	0.13ohm	40	250MHz	6000MHz	
LQW18AN16NG00□	16nH±2%	100MHz	550mA	0.16ohm	40	250MHz	5500MHz	Kit


Operating Temperature Range: -55°C to +125°C Only for reflow soldering.

Continued on the following page. ↗

△Note • Please read rating and △CAUTION (for storage, operating, rating, soldering, mounting and handling) in this catalog to prevent smoking and/or burning, etc.  
 • This catalog has only typical specifications because there is no space for detailed specifications. Therefore, please review our product specifications or consult the approval sheet for product specifications before ordering.

Part Number	Inductance	Test Frequency	Rated Current	Max. of DC Resistance	Q (min.)	Test Frequency	Self Resonance Frequency (min.)	
LQW18AN16NJ00□	16nH±5%	100MHz	550mA	0.16ohm	40	250MHz	5500MHz	
LQW18AN18NG00□	18nH±2%	100MHz	550mA	0.16ohm	40	250MHz	5500MHz	Kit
LQW18AN18NJ00□	18nH±5%	100MHz	550mA	0.16ohm	40	250MHz	5500MHz	
LQW18AN20NG00□	20nH±2%	100MHz	550mA	0.16ohm	40	250MHz	4900MHz	Kit
LQW18AN20NJ00□	20nH±5%	100MHz	550mA	0.16ohm	40	250MHz	4900MHz	
LQW18AN22NG00□	22nH±2%	100MHz	500mA	0.17ohm	40	250MHz	4600MHz	Kit
LQW18AN22NJ00□	22nH±5%	100MHz	500mA	0.17ohm	40	250MHz	4600MHz	
LQW18AN24NG00□	24nH±2%	100MHz	500mA	0.21ohm	40	250MHz	3800MHz	Kit
LQW18AN24NJ00□	24nH±5%	100MHz	500mA	0.21ohm	40	250MHz	3800MHz	
LQW18AN27NG00□	27nH±2%	100MHz	440mA	0.21ohm	40	250MHz	3700MHz	Kit
LQW18AN27NJ00□	27nH±5%	100MHz	440mA	0.21ohm	40	250MHz	3700MHz	
LQW18AN30NG00□	30nH±2%	100MHz	420mA	0.23ohm	40	250MHz	3300MHz	Kit
LQW18AN30NJ00□	30nH±5%	100MHz	420mA	0.23ohm	40	250MHz	3300MHz	
LQW18AN33NG00□	33nH±2%	100MHz	420mA	0.23ohm	40	250MHz	3200MHz	Kit
LQW18AN33NJ00□	33nH±5%	100MHz	420mA	0.23ohm	40	250MHz	3200MHz	
LQW18AN36NG00□	36nH±2%	100MHz	400mA	0.26ohm	40	250MHz	2900MHz	Kit
LQW18AN36NJ00□	36nH±5%	100MHz	400mA	0.26ohm	40	250MHz	2900MHz	
LQW18AN39NG00□	39nH±2%	100MHz	400mA	0.26ohm	40	250MHz	2800MHz	Kit
LQW18AN39NJ00□	39nH±5%	100MHz	400mA	0.26ohm	40	250MHz	2800MHz	
LQW18AN43NG00□	43nH±2%	100MHz	380mA	0.29ohm	40	200MHz	2700MHz	Kit
LQW18AN43NJ00□	43nH±5%	100MHz	380mA	0.29ohm	40	200MHz	2700MHz	
LQW18AN47NG00□	47nH±2%	100MHz	380mA	0.29ohm	38	200MHz	2600MHz	Kit
LQW18AN47NJ00□	47nH±5%	100MHz	380mA	0.29ohm	38	200MHz	2600MHz	
LQW18AN51NG00□	51nH±2%	100MHz	370mA	0.33ohm	38	200MHz	2500MHz	Kit
LQW18AN51NJ00□	51nH±5%	100MHz	370mA	0.33ohm	38	200MHz	2500MHz	
LQW18AN56NG00□	56nH±2%	100MHz	360mA	0.35ohm	38	200MHz	2400MHz	Kit
LQW18AN56NJ00□	56nH±5%	100MHz	360mA	0.35ohm	38	200MHz	2400MHz	
LQW18AN62NG00□	62nH±2%	100MHz	280mA	0.51ohm	38	200MHz	2300MHz	Kit
LQW18AN62NJ00□	62nH±5%	100MHz	280mA	0.51ohm	38	200MHz	2300MHz	
LQW18AN68NG00□	68nH±2%	100MHz	340mA	0.38ohm	38	200MHz	2200MHz	Kit
LQW18AN68NJ00□	68nH±5%	100MHz	340mA	0.38ohm	38	200MHz	2200MHz	
LQW18AN72NG00□	72nH±2%	100MHz	270mA	0.56ohm	34	150MHz	2100MHz	Kit
LQW18AN72NJ00□	72nH±5%	100MHz	270mA	0.56ohm	34	150MHz	2100MHz	
LQW18AN75NG00□	75nH±2%	100MHz	270mA	0.56ohm	34	150MHz	2050MHz	Kit
LQW18AN75NJ00□	75nH±5%	100MHz	270mA	0.56ohm	34	150MHz	2050MHz	
LQW18AN82NG00□	82nH±2%	100MHz	250mA	0.60ohm	34	150MHz	2000MHz	Kit
LQW18AN82NJ00□	82nH±5%	100MHz	250mA	0.60ohm	34	150MHz	2000MHz	
LQW18AN91NG00□	91nH±2%	100MHz	230mA	0.64ohm	34	150MHz	1900MHz	Kit
LQW18AN91NJ00□	91nH±5%	100MHz	230mA	0.64ohm	34	150MHz	1900MHz	
LQW18ANR10G00□	100nH±2%	100MHz	220mA	0.68ohm	34	150MHz	1800MHz	Kit
LQW18ANR10J00□	100nH±5%	100MHz	220mA	0.68ohm	34	150MHz	1800MHz	
LQW18ANR11G00□	110nH±2%	100MHz	200mA	1.2ohm	32	150MHz	1700MHz	Kit
LQW18ANR11J00□	110nH±5%	100MHz	200mA	1.2ohm	32	150MHz	1700MHz	
LQW18ANR12G00□	120nH±2%	100MHz	180mA	1.3ohm	32	150MHz	1600MHz	Kit

Operating Temperature Range: -55°C to +125°C Only for reflow soldering.

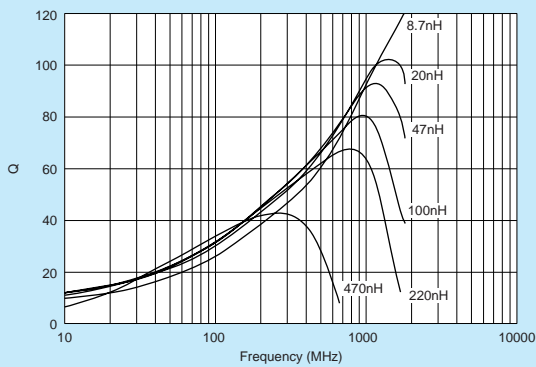
Continued on the following page. 

△Note • Please read rating and △CAUTION (for storage, operating, rating, soldering, mounting and handling) in this catalog to prevent smoking and/or burning, etc.  
• This catalog has only typical specifications because there is no space for detailed specifications. Therefore, please review our product specifications or consult the approval sheet for product specifications before ordering.

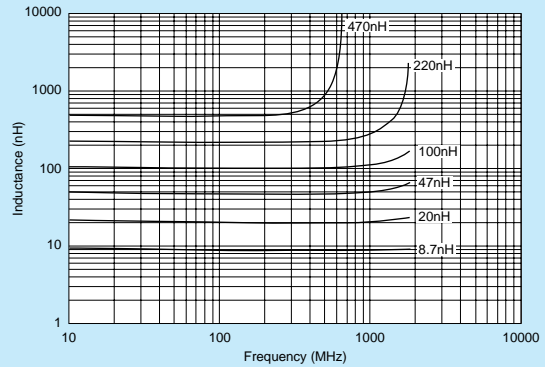
Part Number	Inductance	Test Frequency	Rated Current	Max. of DC Resistance	Q (min.)	Test Frequency	Self Resonance Frequency (min.)	
LQW18ANR12J00□	120nH±5%	100MHz	180mA	1.3ohm	32	150MHz	1600MHz	
LQW18ANR13G00□	130nH±2%	100MHz	170mA	1.4ohm	32	150MHz	1450MHz	Kit
LQW18ANR13J00□	130nH±5%	100MHz	170mA	1.4ohm	32	150MHz	1450MHz	
LQW18ANR15G00□	150nH±2%	100MHz	160mA	1.5ohm	32	150MHz	1400MHz	Kit
LQW18ANR15J00□	150nH±5%	100MHz	160mA	1.5ohm	32	150MHz	1400MHz	
LQW18ANR16G00□	160nH±2%	100MHz	150mA	2.1ohm	32	150MHz	1350MHz	Kit
LQW18ANR16J00□	160nH±5%	100MHz	150mA	2.1ohm	32	150MHz	1350MHz	
LQW18ANR18G00□	180nH±2%	100MHz	140mA	2.2ohm	25	100MHz	1300MHz	Kit
LQW18ANR18J00□	180nH±5%	100MHz	140mA	2.2ohm	25	100MHz	1300MHz	
LQW18ANR20G00□	200nH±2%	100MHz	120mA	2.4ohm	25	100MHz	1250MHz	Kit
LQW18ANR20J00□	200nH±5%	100MHz	120mA	2.4ohm	25	100MHz	1250MHz	
LQW18ANR22G00□	220nH±2%	100MHz	120mA	2.5ohm	25	100MHz	1200MHz	Kit
LQW18ANR22J00□	220nH±5%	100MHz	120mA	2.5ohm	25	100MHz	1200MHz	
LQW18ANR27G00□	270nH±2%	100MHz	110mA	3.4ohm	30	100MHz	960MHz	Kit
LQW18ANR27J00□	270nH±5%	100MHz	110mA	3.4ohm	30	100MHz	960MHz	
LQW18ANR33G00□	330nH±2%	100MHz	85mA	5.5ohm	30	100MHz	800MHz	Kit
LQW18ANR33J00□	330nH±5%	100MHz	85mA	5.5ohm	30	100MHz	800MHz	
LQW18ANR39G00□	390nH±2%	100MHz	80mA	6.2ohm	30	100MHz	800MHz	Kit
LQW18ANR39J00□	390nH±5%	100MHz	80mA	6.2ohm	30	100MHz	800MHz	
LQW18ANR47G00□	470nH±2%	100MHz	75mA	7.0ohm	30	100MHz	700MHz	Kit
LQW18ANR47J00□	470nH±5%	100MHz	75mA	7.0ohm	30	100MHz	700MHz	

Operating Temperature Range: -55°C to +125°C Only for reflow soldering.

■ Q-Frequency Characteristics (Typ.)



■ Inductance-Frequency Characteristics (Typ.)



△Note • Please read rating and △CAUTION (for storage, operating, rating, soldering, mounting and handling) in this catalog to prevent smoking and/or burning, etc.  
 • This catalog has only typical specifications because there is no space for detailed specifications. Therefore, please review our product specifications or consult the approval sheet for product specifications before ordering.

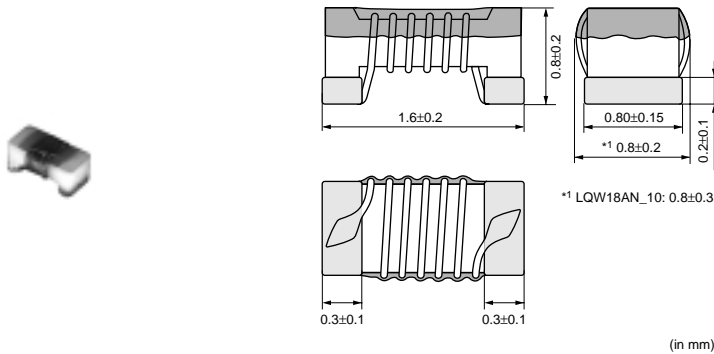
Inductor for Power Lines (Power Inductor)  
 Inductor for Low Frequency Circuits  
 Wire Wound Non-Magnetic Type (Horizontal Axis) RF Inductor

# LQW18A-10 Series (0603 Size)



## 0603 Size, High Q Wound, Low DC Resistance Type

### ■ Dimensions



### ■ Packaging

Code	Packaging	Minimum Quantity
D	180mm Paper Tape	4000
J	330mm Paper Tape	10000
B	Bulk(Bag)	500

Refer to pages from p.167 to p.170 for mounting information.

### ■ Rated Value (□: packaging code)

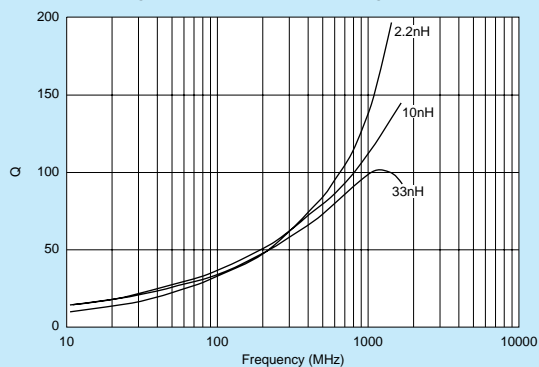
Part Number	Inductance	Test Frequency	Rated Current	Max. of DC Resistance	Q (min.)	Test Frequency	Self Resonance Frequency (min.)	
LQW18AN2N2D10□	2.2nH±0.5nH	100MHz	1400mA	0.018ohm	25	250MHz	18000MHz	
LQW18AN3N9C10□	3.9nH±0.2nH	100MHz	1000mA	0.032ohm	38	250MHz	11000MHz	Kit
LQW18AN3N9D10□	3.9nH±0.5nH	100MHz	1000mA	0.032ohm	38	250MHz	11000MHz	
LQW18AN5N6D10□	5.6nH±0.5nH	100MHz	900mA	0.045ohm	38	250MHz	10000MHz	
LQW18AN6N8C10□	6.8nH±0.2nH	100MHz	900mA	0.045ohm	38	250MHz	7000MHz	Kit
LQW18AN6N8D10□	6.8nH±0.5nH	100MHz	900mA	0.045ohm	38	250MHz	7000MHz	
LQW18AN8N2D10□	8.2nH±0.5nH	100MHz	800mA	0.058ohm	38	250MHz	7000MHz	
LQW18AN10NG10□	10nH±2%	100MHz	800mA	0.058ohm	38	250MHz	5000MHz	Kit
LQW18AN10NJ10□	10nH±5%	100MHz	800mA	0.058ohm	38	250MHz	5000MHz	
LQW18AN12NG10□	12nH±2%	100MHz	750mA	0.071ohm	38	250MHz	5000MHz	Kit
LQW18AN12NJ10□	12nH±5%	100MHz	750mA	0.071ohm	38	250MHz	5000MHz	
LQW18AN15NJ10□	15nH±5%	100MHz	700mA	0.085ohm	42	250MHz	4500MHz	
LQW18AN18NG10□	18nH±2%	100MHz	700mA	0.085ohm	42	250MHz	3500MHz	Kit
LQW18AN18NJ10□	18nH±5%	100MHz	700mA	0.085ohm	42	250MHz	3500MHz	
LQW18AN22NG10□	22nH±2%	100MHz	640mA	0.099ohm	42	250MHz	3200MHz	Kit
LQW18AN22NJ10□	22nH±5%	100MHz	640mA	0.099ohm	42	250MHz	3200MHz	
LQW18AN27NG10□	27nH±2%	100MHz	590mA	0.116ohm	42	250MHz	2800MHz	Kit
LQW18AN27NJ10□	27nH±5%	100MHz	590mA	0.116ohm	42	250MHz	2800MHz	
LQW18AN33NJ10□	33nH±5%	100MHz	550mA	0.132ohm	42	250MHz	2500MHz	

Operating Temperature Range: -55°C to +125°C  
Only for reflow soldering.

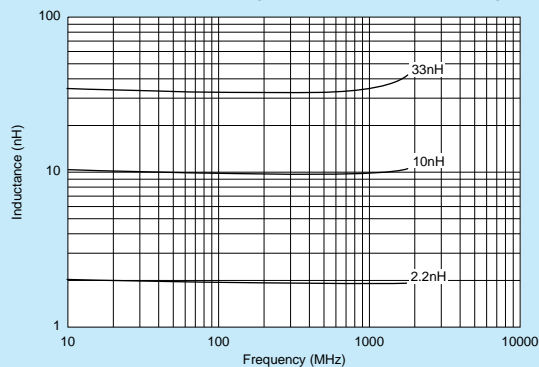
Continued on the following page.



■ Q-Frequency Characteristics (Typ.)



■ Inductance-Frequency Characteristics (Typ.)



Inductor for Power Lines (Power Inductor)

Inductor for Low Frequency Circuits

Wire Wound Non-Magnetic Type (Horizontal Axis)  
RF Inductor

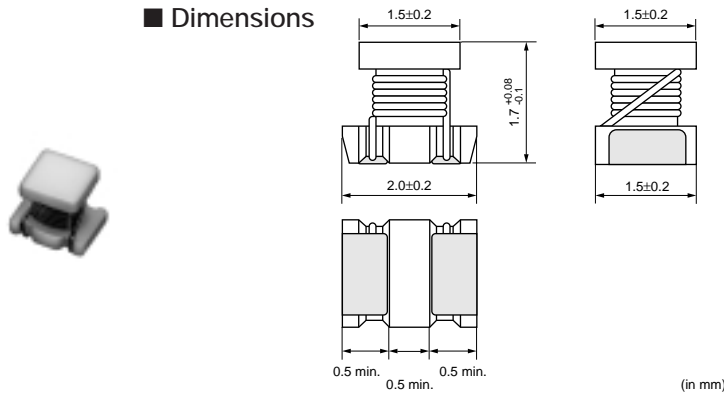
△Note • Please read rating and △CAUTION (for storage, operating, rating, soldering, mounting and handling) in this catalog to prevent smoking and/or burning, etc.  
• This catalog has only typical specifications because there is no space for detailed specifications. Therefore, please review our product specifications or consult the approval sheet for product specifications before ordering.





## 0805 Size, Wound Type

## ■ Dimensions



## ■ Packaging

Code	Packaging	Minimum Quantity
L	180mm Embossed Tape	2000
K	330mm Embossed Tape	7500

Refer to pages from p.167 to p.170 for mounting information.

## ■ Rated Value (□: packaging code)

Part Number	Inductance	Test Frequency	Rated Current	Max. of DC Resistance	Q (min.)	Test Frequency	Self Resonance Frequency (min.)	
LQW2BHN3N3D03□	3.3nH±0.5nH	100MHz	910mA	0.05ohm	10	250MHz	6000MHz	
LQW2BHN6N8D03□	6.8nH±0.5nH	100MHz	680mA	0.11ohm	20	250MHz	5400MHz	
LQW2BHN8N2D03□	8.2nH±0.5nH	100MHz	630mA	0.12ohm	20	250MHz	3900MHz	
LQW2BHN10NJ03□	10nH±5%	100MHz	1320mA	0.03ohm	30	250MHz	3300MHz	
LQW2BHN12NJ03□	12nH±5%	100MHz	680mA	0.11ohm	30	250MHz	3200MHz	
LQW2BHN15NJ03□	15nH±5%	100MHz	630mA	0.12ohm	30	250MHz	2700MHz	
LQW2BHN18NJ03□	18nH±5%	100MHz	690mA	0.10ohm	30	250MHz	2600MHz	
LQW2BHN22NJ03□	22nH±5%	100MHz	720mA	0.09ohm	30	250MHz	2100MHz	
LQW2BHN27NJ03□	27nH±5%	100MHz	540mA	0.17ohm	40	250MHz	2300MHz	
LQW2BHN33NG03□	33nH±2%	100MHz	570mA	0.15ohm	40	250MHz	1900MHz	
LQW2BHN33NJ03□	33nH±5%	100MHz	570mA	0.15ohm	40	250MHz	1900MHz	Kit
LQW2BHN39NG03□	39nH±2%	100MHz	730mA	0.09ohm	40	250MHz	1700MHz	
LQW2BHN39NJ03□	39nH±5%	100MHz	730mA	0.09ohm	40	250MHz	1700MHz	Kit
LQW2BHN47NG03□	47nH±2%	100MHz	450mA	0.23ohm	40	200MHz	1600MHz	
LQW2BHN47NJ03□	47nH±5%	100MHz	450mA	0.23ohm	40	200MHz	1600MHz	Kit
LQW2BHN56NG03□	56nH±2%	100MHz	430mA	0.26ohm	40	200MHz	1500MHz	
LQW2BHN56NJ03□	56nH±5%	100MHz	430mA	0.26ohm	40	200MHz	1500MHz	Kit
LQW2BHN68NG03□	68nH±2%	100MHz	460mA	0.23ohm	40	200MHz	1200MHz	
LQW2BHN68NJ03□	68nH±5%	100MHz	460mA	0.23ohm	40	200MHz	1200MHz	Kit
LQW2BHN82NG03□	82nH±2%	100MHz	320mA	0.42ohm	40	150MHz	1100MHz	
LQW2BHN82NJ03□	82nH±5%	100MHz	320mA	0.42ohm	40	150MHz	1100MHz	Kit
LQW2BHNR10G03□	100nH±2%	100MHz	270mA	0.55ohm	35	150MHz	900MHz	
LQW2BHNR10J03□	100nH±5%	100MHz	350mA	0.38ohm	40	150MHz	900MHz	Kit
LQW2BHNR12G03□	120nH±2%	100MHz	320mA	0.40ohm	40	150MHz	750MHz	
LQW2BHNR12J03□	120nH±5%	100MHz	320mA	0.40ohm	40	150MHz	750MHz	Kit
LQW2BHNR15G03□	150nH±2%	100MHz	260mA	0.68ohm	30	150MHz	350MHz	
LQW2BHNR15J03□	150nH±5%	100MHz	390mA	0.47ohm	30	150MHz	350MHz	Kit
LQW2BHNR18G03□	180nH±2%	100MHz	250mA	0.71ohm	35	100MHz	700MHz	
LQW2BHNR18J03□	180nH±5%	100MHz	250mA	0.71ohm	35	100MHz	700MHz	Kit
LQW2BHNR22G03□	220nH±2%	100MHz	240mA	0.70ohm	35	100MHz	500MHz	

Operating Temperature Range: -40°C to +85°C

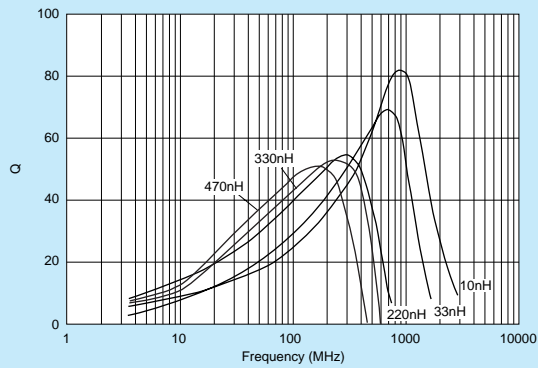
Continued on the following page.

△Note • Please read rating and △CAUTION (for storage, operating, rating, soldering, mounting and handling) in this catalog to prevent smoking and/or burning, etc.  
 • This catalog has only typical specifications because there is no space for detailed specifications. Therefore, please review our product specifications or consult the approval sheet for product specifications before ordering.

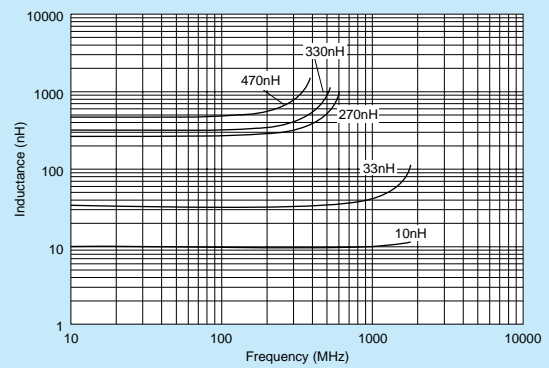
Part Number	Inductance	Test Frequency	Rated Current	Max. of DC Resistance	Q (min.)	Test Frequency	Self Resonance Frequency (min.)	
LQW2BHNR22J03□	220nH±5%	100MHz	240mA	0.70ohm	35	100MHz	500MHz	Kit
LQW2BHNR27J03□	270nH±5%	10MHz	190mA	2.00ohm	15	25.2MHz	550MHz	
LQW2BHNR27K03□	270nH±10%	10MHz	190mA	2.00ohm	15	25.2MHz	550MHz	Kit
LQW2BHNR33J03□	330nH±5%	10MHz	180mA	2.20ohm	15	25.2MHz	500MHz	
LQW2BHNR33K03□	330nH±10%	10MHz	180mA	2.20ohm	15	25.2MHz	500MHz	Kit
LQW2BHNR39J03□	390nH±5%	10MHz	170mA	2.50ohm	15	25.2MHz	400MHz	
LQW2BHNR39K03□	390nH±10%	10MHz	170mA	2.50ohm	15	25.2MHz	400MHz	Kit
LQW2BHNR47J03□	470nH±5%	10MHz	160mA	2.80ohm	15	25.2MHz	350MHz	
LQW2BHNR47K03□	470nH±10%	10MHz	160mA	2.80ohm	15	25.2MHz	350MHz	Kit

Operating Temperature Range: -40°C to +85°C

■ Q-Frequency Characteristics (Typ.)



■ Inductance-Frequency Characteristics (Typ.)



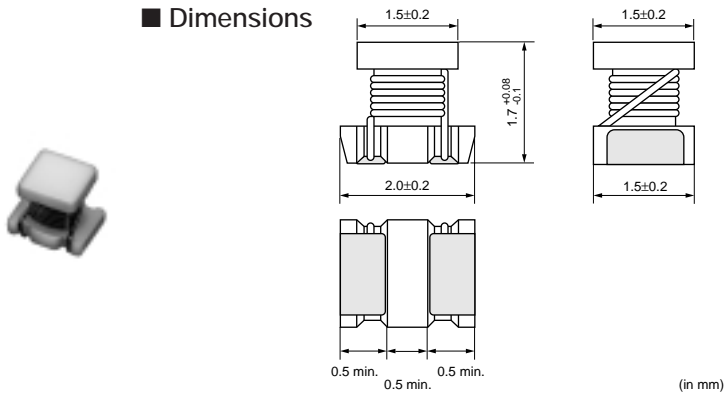
△Note • Please read rating and △CAUTION (for storage, operating, rating, soldering, mounting and handling) in this catalog to prevent smoking and/or burning, etc.  
 • This catalog has only typical specifications because there is no space for detailed specifications. Therefore, please review our product specifications or consult the approval sheet for product specifications before ordering.

# LQW2BH\_13 Series (0805 Size)



## 0805 Size, High Q Wound, Low DC Resistance Type

### ■ Dimensions



### ■ Packaging

Code	Packaging	Minimum Quantity
L	180mm Embossed Tape	2000
K	330mm Embossed Tape	7500

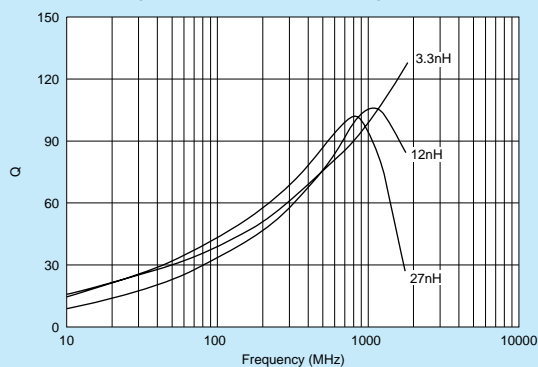
Refer to pages from p.167 to p.170 for mounting information.

### ■ Rated Value (□: packaging code)

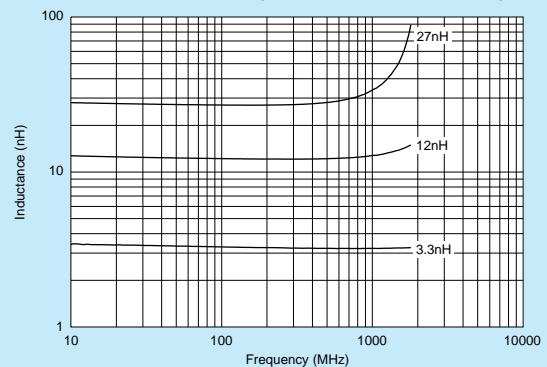
Part Number	Inductance	Test Frequency	Rated Current	Max. of DC Resistance	Q (min.)	Test Frequency	Self Resonance Frequency (min.)	
LQW2BHN2N7D13□	2.7nH±0.5nH	100MHz	1900mA	0.02ohm	20	250MHz	6000MHz	Kit
LQW2BHN3N1D13□	3.1nH±0.5nH	100MHz	1800mA	0.02ohm	20	250MHz	6000MHz	Kit
LQW2BHN3N3D13□	3.3nH±0.5nH	100MHz	1700mA	0.02ohm	20	250MHz	6000MHz	Kit
LQW2BHN5N6D13□	5.6nH±0.5nH	100MHz	1500mA	0.02ohm	35	250MHz	6000MHz	Kit
LQW2BHN6N8D13□	6.8nH±0.5nH	100MHz	1400mA	0.02ohm	35	250MHz	5400MHz	Kit
LQW2BHN8N6D13□	8.6nH±0.5nH	100MHz	1300mA	0.03ohm	35	250MHz	3900MHz	Kit
LQW2BHN10NJ13□	10nH±5%	100MHz	1320mA	0.03ohm	35	250MHz	3300MHz	Kit
LQW2BHN12NK13□	12nH±10%	100MHz	1100mA	0.04ohm	40	250MHz	3200MHz	Kit
LQW2BHN15NK13□	15nH±10%	100MHz	1000mA	0.04ohm	40	250MHz	3100MHz	Kit
LQW2BHN18NK13□	18.8nH±10%	100MHz	1000mA	0.05ohm	40	250MHz	2600MHz	Kit
LQW2BHN21NK13□	21nH±10%	100MHz	950mA	0.05ohm	40	250MHz	2200MHz	Kit
LQW2BHN27NK13□	27nH±10%	100MHz	900mA	0.06ohm	40	250MHz	1800MHz	Kit

Operating Temperature Range: -40°C to +85°C

### ■ Q-Frequency Characteristics (Typ.)



### ■ Inductance-Frequency Characteristics (Typ.)



△Note • Please read rating and △CAUTION (for storage, operating, rating, soldering, mounting and handling) in this catalog to prevent smoking and/or burning, etc.  
 • This catalog has only typical specifications because there is no space for detailed specifications. Therefore, please review our product specifications or consult the approval sheet for product specifications before ordering.

Inductor for Power Lines (Power Inductor)

Inductor for Low Frequency Circuits

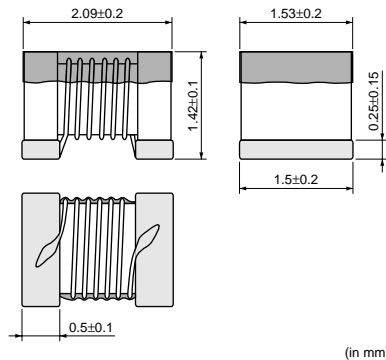
RF Inductor  
Wire Wound Non-Magnetic Type (Vertical Axis)

# LQW2BA Series (0805 Size)



## 0805 Size, Horizontal Wound Type

### ■ Dimensions



(in mm)

### ■ Packaging

Code	Packaging	Minimum Quantity
L	180mm Embossed Tape	2000

Refer to pages from p.167 to p.170 for mounting information.

### ■ Rated Value (□: packaging code)

Part Number	Inductance	Test Frequency	Rated Current	Max. of DC Resistance	Q (min.)	Test Frequency	Self Resonance Frequency (min.)	
LQW2BAS2N8J00□	2.8nH±5%	-	800mA	0.06ohm	80	-	12200MHz	Kit
LQW2BAS3N0J00□	3.0nH±5%	-	800mA	0.06ohm	65	-	12200MHz	Kit
LQW2BAS5N6J00□	5.6nH±5%	-	600mA	0.08ohm	65	-	5900MHz	Kit
LQW2BAS6N8J00□	6.8nH±5%	-	600mA	0.11ohm	50	-	5600MHz	Kit
LQW2BAS7N5J00□	7.5nH±5%	-	600mA	0.14ohm	50	-	4800MHz	Kit
LQW2BAS8N2J00□	8.2nH±5%	-	600mA	0.12ohm	50	-	4400MHz	Kit
LQW2BAS10NJ00□	10nH±5%	-	600mA	0.10ohm	60	-	4300MHz	Kit
LQW2BAS12NJ00□	12nH±5%	-	600mA	0.15ohm	50	-	4000MHz	Kit
LQW2BAS15NJ00□	15nH±5%	-	600mA	0.17ohm	50	-	3200MHz	Kit
LQW2BAS18NJ00□	18nH±5%	-	600mA	0.20ohm	50	-	3100MHz	Kit
LQW2BAS22NJ00□	22nH±5%	-	500mA	0.22ohm	55	-	2600MHz	Kit
LQW2BAS24NJ00□	24nH±5%	-	500mA	0.22ohm	50	-	2400MHz	Kit
LQW2BAS27NJ00□	27nH±5%	-	500mA	0.25ohm	55	-	2580MHz	Kit
LQW2BAS33NJ00□	33nH±5%	-	500mA	0.27ohm	60	-	2150MHz	Kit
LQW2BAS36NJ00□	36nH±5%	-	500mA	0.27ohm	55	-	1900MHz	Kit
LQW2BAS39NJ00□	39nH±5%	-	500mA	0.29ohm	60	-	2000MHz	Kit
LQW2BAS43NJ00□	43nH±5%	-	500mA	0.34ohm	60	-	1800MHz	Kit
LQW2BAS47NJ00□	47nH±5%	-	500mA	0.31ohm	60	-	1700MHz	Kit
LQW2BAS56NJ00□	56nH±5%	-	500mA	0.34ohm	60	-	1600MHz	Kit
LQW2BAS68NJ00□	68nH±5%	-	500mA	0.38ohm	60	-	1500MHz	Kit
LQW2BAS82NJ00□	82nH±5%	-	400mA	0.42ohm	65	-	1330MHz	Kit
LQW2BAS91NJ00□	91nH±5%	-	400mA	0.48ohm	65	-	1330MHz	Kit
LQW2BASR10J00□	100nH±5%	-	400mA	0.46ohm	65	-	1250MHz	Kit
LQW2BASR11J00□	110nH±5%	-	400mA	0.48ohm	50	-	1100MHz	Kit
LQW2BASR12J00□	120nH±5%	-	400mA	0.51ohm	50	-	1100MHz	Kit
LQW2BASR15J00□	150nH±5%	-	400mA	0.56ohm	50	-	920MHz	Kit
LQW2BASR18J00□	180nH±5%	-	400mA	0.64ohm	50	-	920MHz	Kit
LQW2BASR22J00□	220nH±5%	-	400mA	0.70ohm	50	-	820MHz	Kit
LQW2BASR24J00□	240nH±5%	-	350mA	1.00ohm	44	-	770MHz	Kit
LQW2BASR27J00□	270nH±5%	-	350mA	1.00ohm	48	-	730MHz	Kit

Operating Temperature Range: -55°C to +125°C Only for reflow soldering.

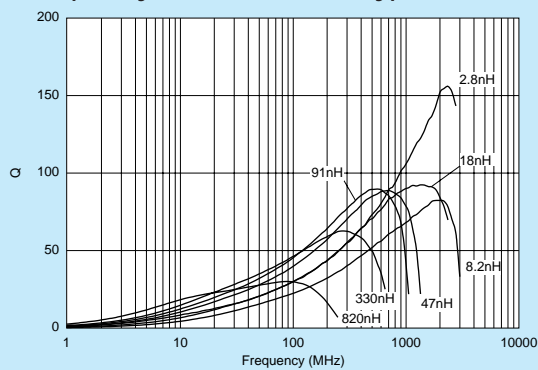
Continued on the following page.

△Note • Please read rating and △CAUTION (for storage, operating, rating, soldering, mounting and handling) in this catalog to prevent smoking and/or burning, etc.  
 • This catalog has only typical specifications because there is no space for detailed specifications. Therefore, please review our product specifications or consult the approval sheet for product specifications before ordering.

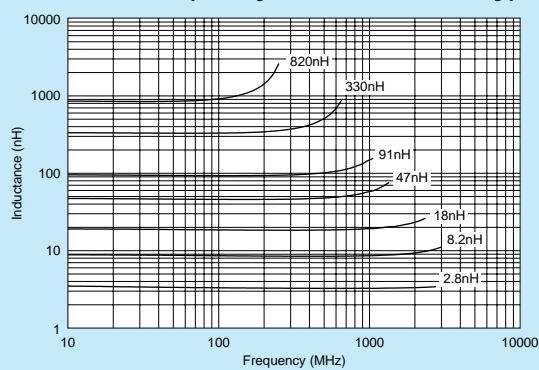
Part Number	Inductance	Test Frequency	Rated Current	Max. of DC Resistance	Q (min.)	Test Frequency	Self Resonance Frequency (min.)	
LQW2BASR33J00□	330nH±5%	-	310mA	1.40ohm	48	-	650MHz	Kit
LQW2BASR39J00□	390nH±5%	-	290mA	1.50ohm	48	-	600MHz	Kit
LQW2BASR47J00□	470nH±5%	-	250mA	1.76ohm	33	-	300MHz	Kit
LQW2BASR56J00□	560nH±5%	-	230mA	1.90ohm	23	-	270MHz	Kit
LQW2BASR68J00□	680nH±5%	-	190mA	2.20ohm	23	-	250MHz	Kit
LQW2BASR82J00□	820nH±5%	-	180mA	2.35ohm	23	-	230MHz	Kit

Operating Temperature Range: -55°C to +125°C Only for reflow soldering.

■ Q-Frequency Characteristics (Typ.)



■ Inductance-Frequency Characteristics (Typ.)

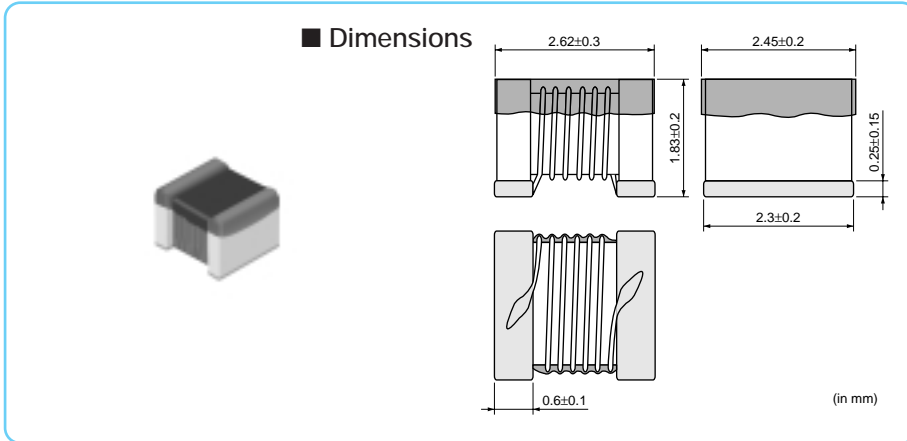


△Note • Please read rating and △CAUTION (for storage, operating, rating, soldering, mounting and handling) in this catalog to prevent smoking and/or burning, etc.  
 • This catalog has only typical specifications because there is no space for detailed specifications. Therefore, please review our product specifications or consult the approval sheet for product specifications before ordering.

# LQW2UA Series (1008 Size)



## 1008 Size, Wound Type



**■ Packaging**

Code	Packaging	Minimum Quantity
L	180mm Embossed Tape	2000

Refer to pages from p.167 to p.170 for mounting information.

**■ Rated Value** (□: packaging code)

Part Number	Inductance	Test Frequency	Rated Current	Max. of DC Resistance	Q (min.)	Test Frequency	Self Resonance Frequency (min.)	
LQW2UAS12NJ00□	12nH±5%	-	1000mA	0.09ohm	50	-	3300MHz	Kit
LQW2UAS18NJ00□	18nH±5%	-	1000mA	0.11ohm	50	-	2500MHz	Kit
LQW2UAS22NJ00□	22nH±5%	-	1000mA	0.12ohm	55	-	2400MHz	Kit
LQW2UAS27NJ00□	27nH±5%	-	1000mA	0.13ohm	55	-	1600MHz	Kit
LQW2UAS33NJ00□	33nH±5%	-	1000mA	0.14ohm	60	-	1600MHz	Kit
LQW2UAS39NJ00□	39nH±5%	-	1000mA	0.15ohm	60	-	1500MHz	Kit
LQW2UAS47NJ00□	47nH±5%	-	1000mA	0.16ohm	65	-	1500MHz	Kit
LQW2UAS56NJ00□	56nH±5%	-	1000mA	0.18ohm	65	-	1300MHz	Kit
LQW2UAS68NJ00□	68nH±5%	-	1000mA	0.2ohm	65	-	1300MHz	Kit
LQW2UAS82NJ00□	82nH±5%	-	1000mA	0.22ohm	60	-	1000MHz	Kit
LQW2UASR10J00□	100nH±5%	-	650mA	0.56ohm	60	-	1000MHz	Kit
LQW2UASR12J00□	120nH±5%	-	650mA	0.63ohm	60	-	950MHz	Kit
LQW2UASR15J00□	150nH±5%	-	580mA	0.7ohm	45	-	850MHz	Kit
LQW2UASR18J00□	180nH±5%	-	620mA	0.77ohm	45	-	750MHz	Kit
LQW2UASR22J00□	220nH±5%	-	500mA	0.84ohm	45	-	700MHz	Kit
LQW2UASR27J00□	270nH±5%	-	500mA	0.91ohm	45	-	600MHz	Kit
LQW2UASR33J00□	330nH±5%	-	450mA	1.05ohm	45	-	570MHz	Kit
LQW2UASR39J00□	390nH±5%	-	470mA	1.12ohm	45	-	500MHz	Kit
LQW2UASR47J00□	470nH±5%	-	470mA	1.19ohm	45	-	450MHz	Kit
LQW2UASR56J00□	560nH±5%	-	400mA	1.33ohm	45	-	415MHz	Kit
LQW2UASR62J00□	620nH±5%	-	300mA	1.4ohm	45	-	375MHz	Kit
LQW2UASR68J00□	680nH±5%	-	400mA	1.47ohm	45	-	375MHz	Kit
LQW2UASR75J00□	750nH±5%	-	360mA	1.54ohm	45	-	360MHz	Kit
LQW2UASR82J00□	820nH±5%	-	400mA	1.61ohm	45	-	350MHz	Kit
LQW2UASR91J00□	910nH±5%	-	380mA	1.68ohm	35	-	320MHz	Kit
LQW2UAS1R0J00□	1000nH±5%	-	370mA	1.75ohm	35	-	290MHz	Kit
LQW2UAS1R2J00□	1200nH±5%	-	310mA	2ohm	35	-	210MHz	Kit
LQW2UAS1R5J00□	1500nH±5%	-	330mA	2.3ohm	28	-	120MHz	Kit
LQW2UAS1R8J00□	1800nH±5%	-	300mA	2.6ohm	28	-	140MHz	Kit
LQW2UAS2R2J00□	2200nH±5%	-	280mA	2.8ohm	28	-	130MHz	Kit

Operating Temperature Range: -55°C to +125°C Only for reflow soldering.

Continued on the following page. ↗

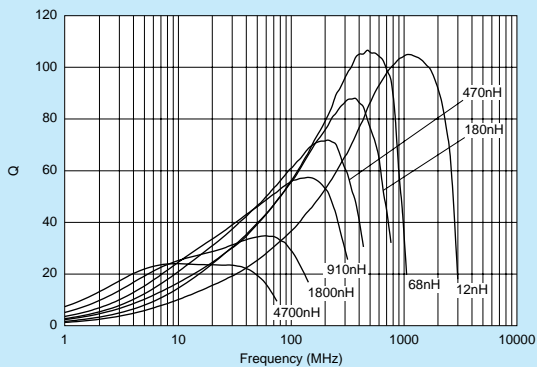
△Note • Please read rating and △CAUTION (for storage, operating, rating, soldering, mounting and handling) in this catalog to prevent smoking and/or burning, etc.  
 • This catalog has only typical specifications because there is no space for detailed specifications. Therefore, please review our product specifications or consult the approval sheet for product specifications before ordering.



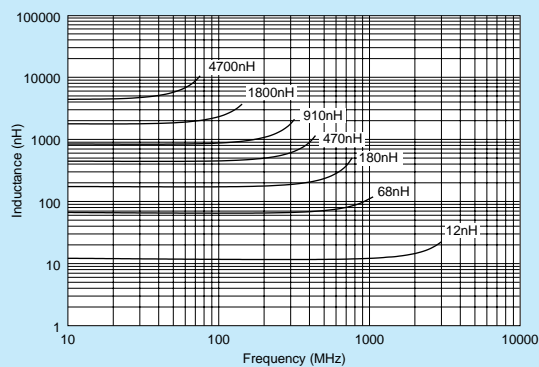
Part Number	Inductance	Test Frequency	Rated Current	Max. of DC Resistance	Q (min.)	Test Frequency	Self Resonance Frequency (min.)	
LQW2UAS2R7J00□	2700nH±5%	-	290mA	3.2ohm	22	-	110MHz	Kit
LQW2UAS3R3J00□	3300nH±5%	-	290mA	3.4ohm	22	-	90MHz	Kit
LQW2UAS3R9J00□	3900nH±5%	-	260mA	3.6ohm	20	-	70MHz	Kit
LQW2UAS4R7J00□	4700nH±5%	-	260mA	4ohm	20	-	60MHz	Kit

Operating Temperature Range: -55°C to +125°C Only for reflow soldering.

■ Q-Frequency Characteristics (Typ.)



■ Inductance-Frequency Characteristics (Typ.)



△Note • Please read rating and △CAUTION (for storage, operating, rating, soldering, mounting and handling) in this catalog to prevent smoking and/or burning, etc.  
 • This catalog has only typical specifications because there is no space for detailed specifications. Therefore, please review our product specifications or consult the approval sheet for product specifications before ordering.

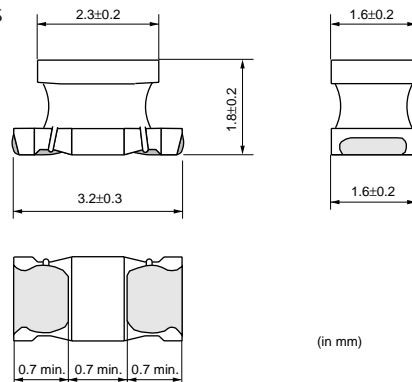


# LQW31H Series (1206 Size)



## 1206 Size, Wound Type

### ■ Dimensions



### ■ Packaging

Code	Packaging	Minimum Quantity
L	180mm Embossed Tape	2000
K	330mm Embossed Tape	7500

Refer to pages from p.167 to p.170 for mounting information.

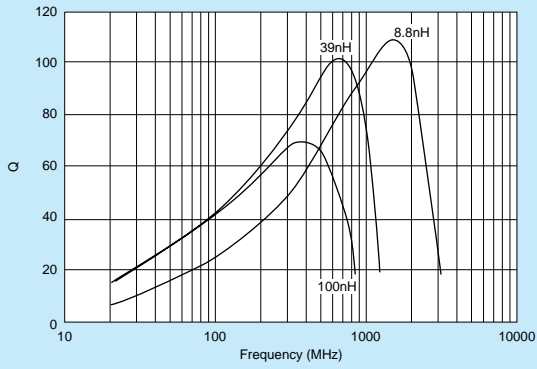
### ■ Rated Value (□: packaging code)

Part Number	Inductance	Test Frequency	Rated Current	DC Resistance	Q (min.)	Test Frequency	Self Resonance Frequency (min.)
LQW31HN8N8J03□	8.8nH±5%	100MHz	750mA	0.029ohm±40%	50	436MHz	1000MHz
LQW31HN8N8K03□	8.8nH±10%	100MHz	750mA	0.029ohm±40%	50	436MHz	1000MHz
LQW31HN15NJ03□	14.7nH±5%	100MHz	680mA	0.035ohm±40%	60	436MHz	1000MHz
LQW31HN15NK03□	14.7nH±10%	100MHz	680mA	0.035ohm±40%	60	436MHz	1000MHz
LQW31HN17NJ03□	17nH±5%	100MHz	650mA	0.037ohm±40%	60	436MHz	1000MHz
LQW31HN17NK03□	17nH±10%	100MHz	650mA	0.037ohm±40%	60	436MHz	1000MHz
LQW31HN23NJ03□	23nH±5%	100MHz	590mA	0.046ohm±40%	60	436MHz	1000MHz
LQW31HN23NK03□	23nH±10%	100MHz	590mA	0.046ohm±40%	60	436MHz	1000MHz
LQW31HN27NJ03□	27nH±5%	100MHz	560mA	0.051ohm±40%	60	436MHz	1000MHz
LQW31HN27NK03□	27nH±10%	100MHz	560mA	0.051ohm±40%	60	436MHz	1000MHz
LQW31HN33NJ03□	33nH±5%	100MHz	530mA	0.057ohm±40%	60	436MHz	1000MHz
LQW31HN33NK03□	33nH±10%	100MHz	530mA	0.057ohm±40%	60	436MHz	1000MHz
LQW31HN39NJ03□	39nH±5%	100MHz	490mA	0.067ohm±40%	60	436MHz	1000MHz
LQW31HN39NK03□	39nH±10%	100MHz	490mA	0.067ohm±40%	60	436MHz	1000MHz
LQW31HN47NJ03□	47nH±5%	100MHz	380mA	0.11ohm±40%	60	436MHz	1000MHz
LQW31HN47NK03□	47nH±10%	100MHz	380mA	0.11ohm±40%	60	436MHz	1000MHz
LQW31HN56NJ03□	56nH±5%	100MHz	330mA	0.14ohm±40%	60	436MHz	1000MHz
LQW31HN56NK03□	56nH±10%	100MHz	330mA	0.14ohm±40%	60	436MHz	1000MHz
LQW31HN64NJ03□	64nH±5%	100MHz	290mA	0.18ohm±40%	60	436MHz	1000MHz
LQW31HN64NK03□	64nH±10%	100MHz	290mA	0.18ohm±40%	60	436MHz	1000MHz
LQW31HN84NJ03□	84nH±5%	100MHz	240mA	0.28ohm±40%	60	436MHz	1000MHz
LQW31HN84NK03□	84nH±10%	100MHz	240mA	0.28ohm±40%	60	436MHz	1000MHz
LQW31HNR10J03□	100nH±5%	100MHz	230mA	0.3ohm±40%	60	436MHz	900MHz
LQW31HNR10K03□	100nH±10%	100MHz	230mA	0.3ohm±40%	60	436MHz	900MHz

Operating Temperature Range: -40°C to +85°C

Continued on the following page.

■ Q-Frequency Characteristics (Typ.)

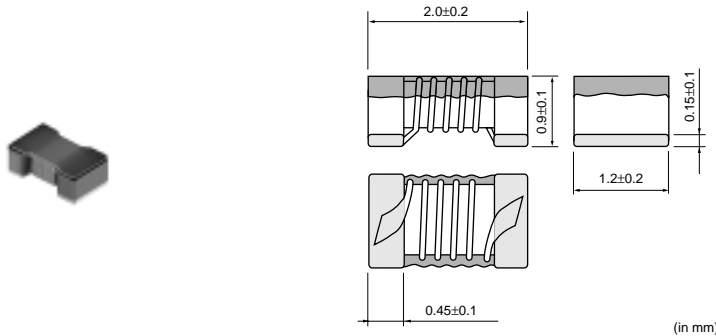


△Note • Please read rating and △CAUTION (for storage, operating, rating, soldering, mounting and handling) in this catalog to prevent smoking and/or burning, etc.  
 • This catalog has only typical specifications because there is no space for detailed specifications. Therefore, please review our product specifications or consult the approval sheet for product specifications before ordering.



## 0805 Size, Ferrite Core High Frequency Wound Type

### ■ Dimensions



### ■ Packaging

Code	Packaging	Minimum Quantity
L	180mm Embossed Tape	3000
B	Bulk (Bag)	500

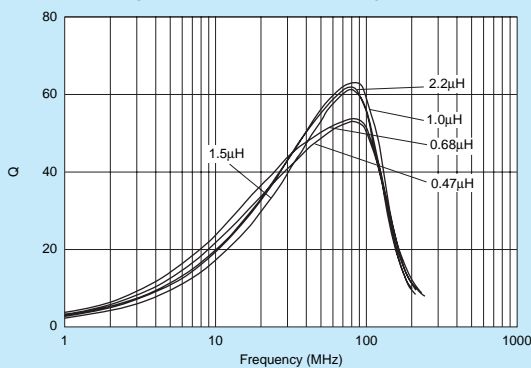
Refer to pages from p.167 to p.170 for mounting information.

### ■ Rated Value (□: packaging code)

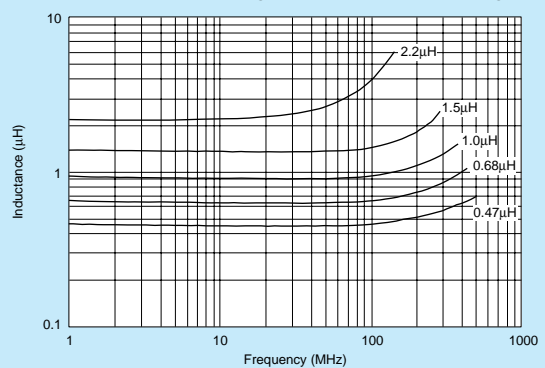
Part Number	Inductance	Test Frequency	Rated Current	Max. of DC Resistance	Q (min.)	Test Frequency	Self Resonance Frequency (min.)	
LQW21HNR47J00□	0.47μH±5%	10MHz	160mA	1.30ohm	35	100MHz	620MHz	Kit
LQW21HNR56J00□	0.56μH±5%	10MHz	150mA	1.43ohm	35	100MHz	580MHz	Kit
LQW21HNR68J00□	0.68μH±5%	10MHz	130mA	2.21ohm	35	100MHz	520MHz	Kit
LQW21HNR82J00□	0.82μH±5%	10MHz	125mA	2.34ohm	35	100MHz	480MHz	Kit
LQW21HN1R0J00□	1.0μH±5%	10MHz	115mA	2.86ohm	35	100MHz	450MHz	Kit
LQW21HN1R2J00□	1.2μH±5%	10MHz	100mA	3.12ohm	35	100MHz	400MHz	Kit
LQW21HN1R5J00□	1.5μH±5%	10MHz	85mA	5.33ohm	35	100MHz	350MHz	Kit
LQW21HN1R8J00□	1.8μH±5%	10MHz	80mA	5.85ohm	35	100MHz	320MHz	Kit
LQW21HN2R2J00□	2.2μH±5%	10MHz	75mA	6.50ohm	35	100MHz	300MHz	Kit

Operating Temperature Range: -40°C to +85°C Only for reflow soldering.

### ■ Q-Frequency Characteristics (Typ.)



### ■ Inductance-Frequency Characteristics (Typ.)



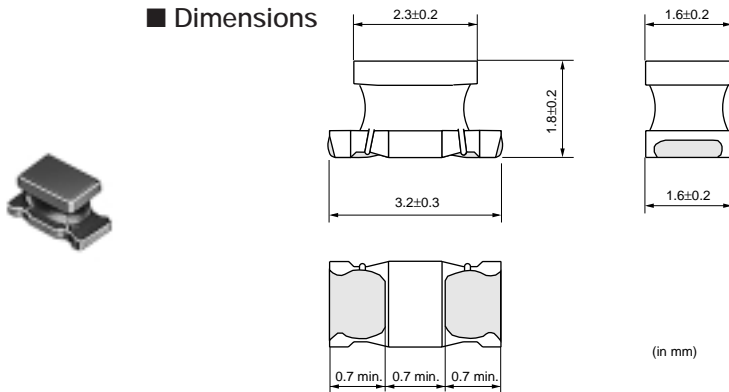
△Note • Please read rating and △CAUTION (for storage, operating, rating, soldering, mounting and handling) in this catalog to prevent smoking and/or burning, etc.  
 • This catalog has only typical specifications because there is no space for detailed specifications. Therefore, please review our product specifications or consult the approval sheet for product specifications before ordering.

# LQH31H Series (1206 Size)



## 1206 Size, Ferrite Core High Frequency Wound Type

### ■ Dimensions



### ■ Packaging

Code	Packaging	Minimum Quantity
L	180mm Embossed Tape	2000
K	330mm Embossed Tape	7500

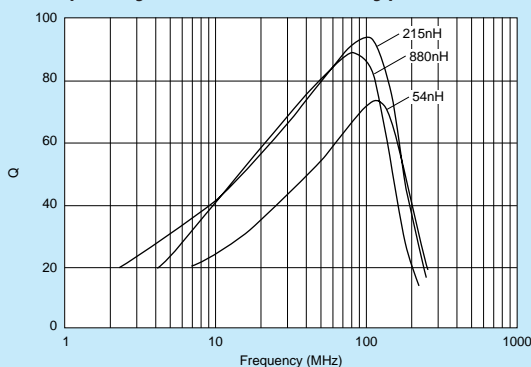
Refer to pages from p.167 to p.170 for mounting information.

### ■ Rated Value (□: packaging code)

Part Number	Inductance	Test Frequency	Rated Current	DC Resistance	Q (min.)	Test Frequency	Self Resonance Frequency (min.)
LQH31HN54NK03□	54nH±10%	1MHz	920mA	0.035ohm±30%	50	100MHz	800MHz
LQH31HN95NK03□	95nH±10%	1MHz	790mA	0.047ohm±30%	60	100MHz	650MHz
LQH31HNR14J03□	145nH±5%	1MHz	700mA	0.061ohm±30%	60	100MHz	500MHz
LQH31HNR14K03□	145nH±10%	1MHz	700mA	0.061ohm±30%	60	100MHz	500MHz
LQH31HNR21J03□	215nH±5%	1MHz	520mA	0.11ohm±30%	60	100MHz	430MHz
LQH31HNR21K03□	215nH±10%	1MHz	520mA	0.11ohm±30%	60	100MHz	430MHz
LQH31HNR29J03□	290nH±5%	1MHz	420mA	0.17ohm±30%	60	100MHz	360MHz
LQH31HNR29K03□	290nH±10%	1MHz	420mA	0.17ohm±30%	60	100MHz	360MHz
LQH31HNR39J03□	390nH±5%	1MHz	330mA	0.26ohm±30%	60	100MHz	300MHz
LQH31HNR39K03□	390nH±10%	1MHz	330mA	0.26ohm±30%	60	100MHz	300MHz
LQH31HNR50J03□	500nH±5%	1MHz	260mA	0.44ohm±30%	60	100MHz	270MHz
LQH31HNR50K03□	500nH±10%	1MHz	260mA	0.44ohm±30%	60	100MHz	270MHz
LQH31HNR61J03□	610nH±5%	1MHz	250mA	0.48ohm±30%	60	100MHz	240MHz
LQH31HNR61K03□	610nH±10%	1MHz	250mA	0.48ohm±30%	60	100MHz	240MHz
LQH31HNR75J03□	750nH±5%	1MHz	190mA	0.79ohm±30%	60	100MHz	220MHz
LQH31HNR75K03□	750nH±10%	1MHz	190mA	0.79ohm±30%	60	100MHz	220MHz
LQH31HNR88J03□	880nH±5%	1MHz	180mA	0.86ohm±30%	60	100MHz	200MHz
LQH31HNR88K03□	880nH±10%	1MHz	180mA	0.86ohm±30%	60	100MHz	200MHz

Operating Temperature Range: -40°C to +85°C

### ■ Q-Frequency Characteristics (Typ.)



△Note • Please read rating and △CAUTION (for storage, operating, rating, soldering, mounting and handling) in this catalog to prevent smoking and/or burning, etc.  
 • This catalog has only typical specifications because there is no space for detailed specifications. Therefore, please review our product specifications or consult the approval sheet for product specifications before ordering.

Inductor for Power Lines (Power Inductor)

Inductor for Low Frequency Circuits

RF Inductor  
Wire Wound Magnetic Type (Vertical Axis)

## ⚠Caution

### ● Rating

Do not use products beyond the rated current as this may create excessive heat.

## Notice

### ● Storage and Operating Condition

#### <Operating Environment>

Do not use products in chemical atmosphere such as chlorine gas, acid or sulfide gas.

#### <Storage Requirements>

##### 1. Storage Period

LQG series should be used within 6 months; the other products should be used within 12 months. Check solderability if this period is exceeded.

##### 2. Storage Conditions

- (1) Store products in a warehouse in compliance with the following conditions:  
 Temperature: -10 to +40 degrees C.  
 Humidity: 15 to 85% (relative humidity)  
 Do not subject products to rapid changes in temperature and humidity.  
 Do not store them in chemical atmosphere such as one containing sulfurous acid gas or alkaline gas.  
 This will prevent electrode oxidation which causes poor solderability and possible corrosion of inductors.
- (2) Do not store products in bulk packaging to prevent collision among inductors which causes core chipping and wire breakage.
- (3) Store products on pallets to protect from humidity, dust, etc.
- (4) Avoid heat shock, vibration, direct sunlight, etc.

### ● Handling

This item is designed to have sufficient strength, but handle with care to avoid chipping or breaking its ceramic structure.

#### LQW\_A/LQW\_H series

- To prevent breaking the wire, avoid touching with sharp material, such as tweezers or other material such as bristles of cleaning brush, to the wire wound portion.
- To prevent breaking the core, avoid applying excessive mechanical shock to products mounted on the board.
- In some mounting machines, when picking up components, support pin pushes up the components from the bottom of base tape. In this case, please remove the support pin. The support pin may damage the components and break wire.
- In rare case, the laser recognition can not recognize this component. Please contact us when you use laser recognition. (There is no problem with the permeation and reflection type.)

#### LQH\_H series

- To prevent breaking the wire, avoid touching with sharp material, such as tweezers or other material such as bristles of cleaning brush, to the wire wound portion of this product.
- To prevent breaking the core, avoid applying excessive mechanical shock to products mounted on the board.

#### LQG,LQP series (except LQP02T\_02/LQP03T\_02)

- The pattern of the chip inductor is covered with protective film. Take care to avoid damaging the chip inductor when handling it with pick-up nozzles, sharp instruments, etc.

#### <Handling>

1. Avoid applying excessive stress to products to prevent damage.
2. Do not touch wire wound with sharp objects such as tweezers to prevent wire breakage.
3. Do not apply excessive force to products mounted on boards to prevent core breakage.

#### <Transportation>

Do not apply excessive vibration or mechanical shock to products.

#### <Resin Coating>

When coating products with resin, the relatively high resin curing stress may change inductance values. For exterior coating, select resin carefully so that electrical and mechanical performance of the product is not affected. Prior to use, please evaluate reliability with the product mounted in your application set.

#### (LQW,LQH series)

An open circuit issue may occur by mechanical stress caused by the resin, amount/cured shape of resin, or operating condition etc. Some resins containing impurities or chloride may possibly generate chlorine by hydrolysis under some operating condition may cause corrosion of wire of inductor, leading to open circuit.

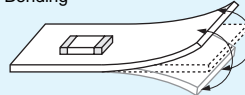
#### (LQP02T\_02,LQP03T\_02)

When products are coated with resin, please contact us in advance.

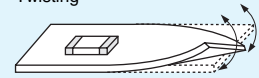
#### <Handling of a Substrate>

After mounting products on a substrate, do not apply any stress to the product caused by bending or twisting to the substrate when cropping the substrate, inserting and removing a connector from the substrate or tightening screw to the substrate. Excessive mechanical stress may cause cracking in the Product.

Bending



Twisting



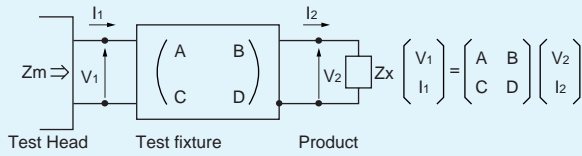
Continued on the following page. ↗

⚠Note • Please read rating and ⚠CAUTION (for storage, operating, rating, soldering, mounting and handling) in this catalog to prevent smoking and/or burning, etc.  
 • This catalog has only typical specifications because there is no space for detailed specifications. Therefore, please review our product specifications or consult the approval sheet for product specifications before ordering.

● **Measuring Method**

Measuring Method of Inductance/Q

1. Residual elements and stray elements of test fixture can be described by F-parameter as shown in the following:



2. The impedance of chip inductor (chip coil)  $Z_x$  and measured value  $Z_m$  can be described by input/output current/voltage.

$$Z_m = \frac{V_1}{I_1}, \quad Z_x = \frac{V_2}{I_2}$$

3. Thus, the relation between  $Z_x$  and  $Z_m$  is shown in the following:

$$Z_x = \alpha \frac{Z_m - \beta}{1 - Z_m \Gamma}$$

where,  $\alpha = D / A = 1$   
 $\beta = B / D = Z_{sm} - (1 - Y_{om} Z_{sm}) Z_{ss}$   
 $\Gamma = C / A = Y_{om}$

(  $Z_{sm}$ : measured impedance of short chip  
 $Z_{ss}$ : residual impedance of short chip\*  
 $Y_{om}$ : measured admittance when opening the fixture )

\*Residual impedance of short chip

Residual Impedance	Series
0nH	<b>LQG15HS</b>
0.110nH	<b>LQP02T</b>
0.464nH	<b>LQW04A</b>
0.480nH	<b>LQP03T_02</b>
0.556nH	<b>LQG15HN, LQW15A, LQP15T/M</b>
0.771nH	<b>LQG18H, LQP18M, LQW18A, LQW21H</b>

4.  $L_x$  and  $Q_x$  should be calculated with the following equation.

$$L_x = \frac{\text{Im}(Z_x)}{2\pi f}, \quad Q_x = \frac{\text{Im}(Z_x)}{\text{Re}(Z_x)}$$

$L_x$ : Inductance of chip inductor (chip coil)  
 $Q_x$ : Q of chip inductor (chip coil)  
 $f$ : Measuring frequency

⚠Note • Please read rating and ⚠CAUTION (for storage, operating, rating, soldering, mounting and handling) in this catalog to prevent smoking and/or burning, etc.  
 • This catalog has only typical specifications because there is no space for detailed specifications. Therefore, please review our product specifications or consult the approval sheet for product specifications before ordering.

Inductor for Power Lines (Power Inductor)

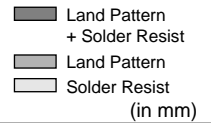
Inductor for Low Frequency Circuits

RF Inductor

⚠Caution/Notice

1. Standard Land Pattern Dimensions

A high Q value is achieved when the PCB electrode land pattern is designed so that it does not project beyond the chip inductor (chip coil) electrode.



Series	Standard Land Dimensions				
LQG15H LQG18H LQP02T LQP03T LQP15M/15T LQP18M LQW04A LQW15A LQW18A LQW21H LQW2BH LQW2BA LQW2UA LQW31H LQH31H		Part Number	a	b	c
		LQG15H	0.5-0.6	1.4-1.5	0.4
		LQG18H	0.6-0.8	1.8-2.2	0.6-0.8
		LQP02T	0.2-0.23	0.4-0.56	0.16-0.2
		LQP03T	0.2-0.3	0.8-0.9	0.2-0.3
		LQP15M/15T	0.5-0.6	1.4-1.5	0.4
		LQP18M	0.7-0.9	1.8-2.2	0.6-0.8
		LQW04A	0.40	1.0	0.40
		LQW15A	0.65	1.2	0.50
		LQW18A	0.7-1.0	1.9-2.0	0.6-0.8
		LQW21H	1.2	2.6	1.0
		LQW2BH	1.2	3.0	0.8
		LQW2BA	1.78	2.8	0.76
		LQW2UA	2.54	3.3	1.27
		LQH31H	1.5	4.5	1.0
		LQW31H			

Attention should be paid to potential magnetic coupling effects when using the inductor (coil) as a resonator.

2. Standard Soldering Conditions

(1) Soldering method

Chip inductor (Chip coils) can be flow or reflow soldered.

Please contact Murata regarding other soldering methods.

As for LQG, LQP, LQW04A/15A/18A/21H/2BA/2UA series, please use reflow soldering.

Solder: Use Sn-3.0Ag-0.5Cu solder.

Flux: Use rosin-based flux, but not strongly acidic flux (with chlorine content exceeding 0.2wt%).

Do not use water-soluble flux.

The flux used for LQW04/15/18/21/2BA/2UA series should use the rosin-based flux that includes middle activator equivalent to 0.06wt% to 0.1wt% chlorine.

For additional mounting methods, please contact Murata.

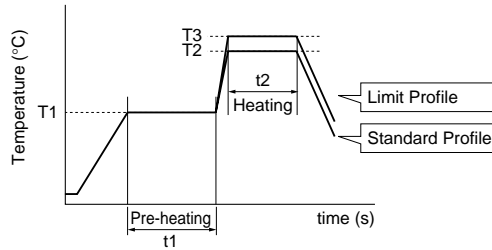
Continued on the following page.

△Note • Please read rating and △CAUTION (for storage, operating, rating, soldering, mounting and handling) in this catalog to prevent smoking and/or burning, etc.  
 • This catalog has only typical specifications because there is no space for detailed specifications. Therefore, please review our product specifications or consult the approval sheet for product specifications before ordering.



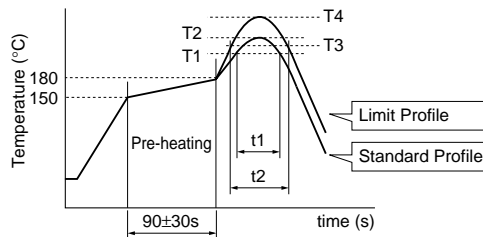
(2) Soldering profile

- Flow Soldering profile (Sn-3.0Ag-0.5Cu solder)



Series	Pre-heating		Standard Profile			Limit Profile		
	Temp. (T1)	Time. (t1)	Heating		Cycle of flow	Heating		Cycle of flow
			Temp. (T2)	Time. (t2)		Temp. (T3)	Time. (t2)	
LQW2BH/31H LQH31H	150°C	60s min.	250°C	4 to 6s	2 times max.	265±3°C	5s max.	2 times max.

- Reflow Soldering profile (Sn-3.0Ag-0.5Cu solder)



Series	Standard Profile				Limit Profile			
	Heating		Peak temperature (T2)	Cycle of reflow	Heating		Peak temperature (T4)	Cycle of reflow
	Temp. (T1)	Time. (t1)			Temp. (T3)	Time. (t2)		
LQG15H/18H LQW04A/15A/18A/21H LQW2BA/2UA LQP02T/03T/15M/15T/18M LQW2BH/31H LQH31H	220°C	30 to 60s	245±3°C	2 times max.	230°C	60s max.	260°C/10s	2 times max.

(3) Reworking with Soldering Iron \*Except LQP02T Series

Preheating at 150°C for 1 minute is required. Do not directly touch the ceramic element with the tip of the soldering iron. The reworking soldering conditions are as follows:

Soldering iron power output: 80W max.

Temperature of soldering iron tip: 350°C

Diameter of soldering iron end: 3.0mm max.

Soldering time: within 3 s

Continued on the following page.

△Note • Please read rating and △CAUTION (for storage, operating, rating, soldering, mounting and handling) in this catalog to prevent smoking and/or burning, etc.  
• This catalog has only typical specifications because there is no space for detailed specifications. Therefore, please review our product specifications or consult the approval sheet for product specifications before ordering.

Inductor for Power Lines (Power Inductor)

Inductor for Low Frequency Circuits

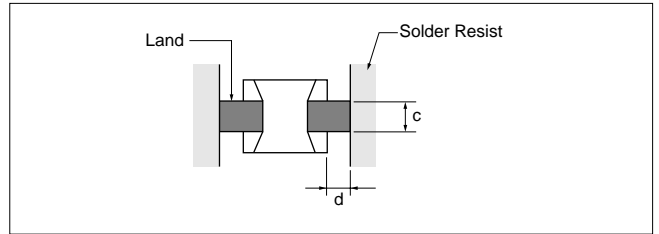
RF Inductor

Soldering and Mounting

3. Mounting Instructions

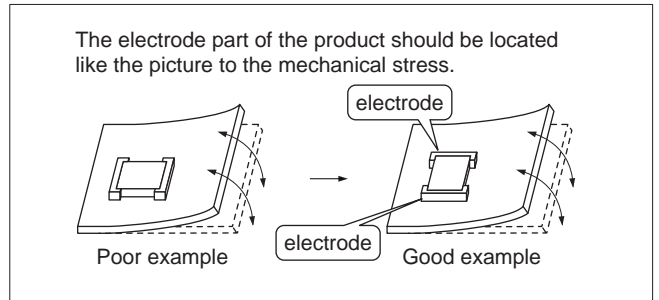
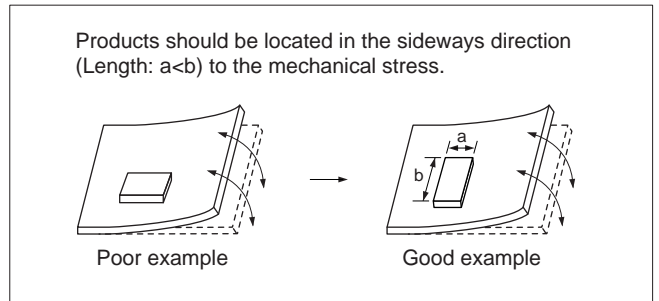
(1) Land Pattern Dimensions

Large lands reduce Q of the mounted chip. Also, large protruding land areas (bordered by lines having dimensions 'c' and 'd' shown) cause floating and electrode leaching.



(2) PCB Warping

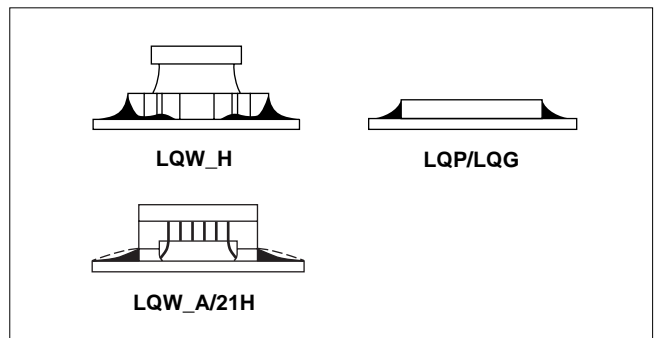
PCB should be designed so that products are not subjected to the mechanical stress caused by warping the board.



(3) Amount of Solder Paste

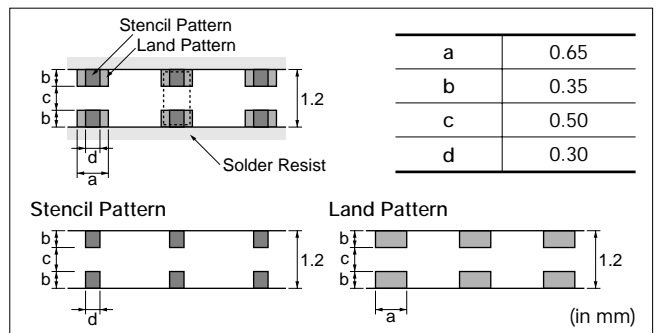
Excessive solder causes electrode corrosion, while insufficient solder causes low electrode bonding strength. Adjust the amount of solder paste as shown on the right so that solder is applied.

- Guideline of solder paste thickness
  - LQP (Except LQP02T), LQG, LQW15A/18A/21H/2BA/2UA: 100 to 150 $\mu$ m
  - LQP02T: 50 to 80 $\mu$ m
  - LQW04A: 80 to 100 $\mu$ m
  - LQW\_H: 200 to 300 $\mu$ m



LQW15A Series:

Too much solder may cause slant or rotation of chip at the time of solder melting. Please reduce the amount of solder by using smaller solder area than land pattern, as shown in figure at right.

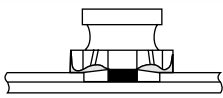


Continued on the following page. ↗

△Note • Please read rating and △CAUTION (for storage, operating, rating, soldering, mounting and handling) in this catalog to prevent smoking and/or burning, etc.  
 • This catalog has only typical specifications because there is no space for detailed specifications. Therefore, please review our product specifications or consult the approval sheet for product specifications before ordering.

(4) Amount of Adhesive

If too much adhesive is applied, then it may overflow into the land or termination areas and yield poor solderability. In contrast, if insufficient adhesive is applied, or if the adhesive is not sufficiently hardened, then the chip may become detached during flow soldering. Apply the adhesive in accordance with the conditions shown in chart.



**LQW\_H**

Part Number	Typical Application Amount (in:mg)
	IR-100
<b>LQW2BH</b>	0.15-0.20
<b>LQH31H</b> <b>LQW31H</b>	0.20-0.25

**4. Cleaning**

The following conditions should be observed when cleaning chip inductors (chip coils):

- (1) Cleaning Temperature: 60°C max. (40°C max. for alcohol cleaning agents)
- (2) Ultrasonic
  - Output: 20W/l max.
  - Duration: 5 minutes max.
  - Frequency: 28 to 40kHz
  - Care should be taken not to cause resonance of the PCB and mounted products.
- (3) Cleaning agent
 

The following cleaning agents have been tested on individual components. Evaluation in complete assembly should be done prior to production.

  - (a) Alcohol cleaning agents
    - Isopropyl alcohol (IPA)
  - (b) Aqueous cleaning agents
    - Pine Alpha ST-100S

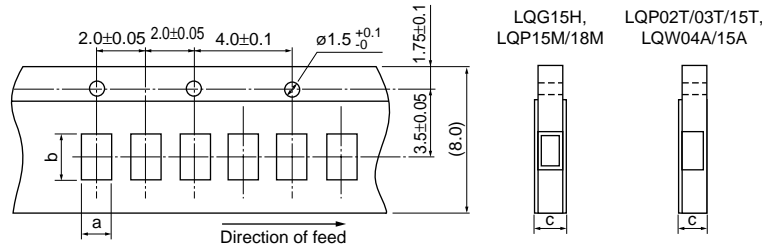
- (4) Ensure that flux residue is completely removed. Component should be thoroughly dried after aqueous agents have been removed with deionized water.

For additional cleaning methods, please contact Murata.

△Note • Please read rating and △CAUTION (for storage, operating, rating, soldering, mounting and handling) in this catalog to prevent smoking and/or burning, etc.  
 • This catalog has only typical specifications because there is no space for detailed specifications. Therefore, please review our product specifications or consult the approval sheet for product specifications before ordering.

Inductor for Power Lines (Power Inductor)  
Inductor for Low Frequency Circuits  
RF Inductor  
Soldering and Mounting

■ Minimum Quantity and 8mm Width Taping Dimensions



Paper Tape

Part Number	Dimensions		Total Thickness of Tape	Packaging Code (Minimum Qty. [pcs.])		
	a	b		c	ø180mm reel	ø330mm reel
LQG15H	0.62	1.12	0.8 max.	D [10000]	J [50000]	B [1000]
LQP02T	0.24	0.455	0.39 max.	D [20000]	-	B [500]
LQP03T_02 *1	0.35	0.65/0.67	0.55 max.	D [15000]	J [50000]	B [500]
LQP15T	0.62	1.12	0.8 max.	D [10000]	-	B [500]
LQP15M	0.70	1.20	0.8 max.	D [10000]	J [50000]	B [500]
LQP18M	1.19	2.0	0.8 max.	D [4000]	J [10000]	B [500]
LQW04A	0.50	0.905	0.75 max.	D [10000]	-	B [500]
LQW15A_00 *2	0.64/0.66/0.69	1.18	0.8 max.	D [10000]	-	B [500]
LQW15A_10 *3	0.66/0.69	1.18	0.8 max.	D [10000]	-	B [500]

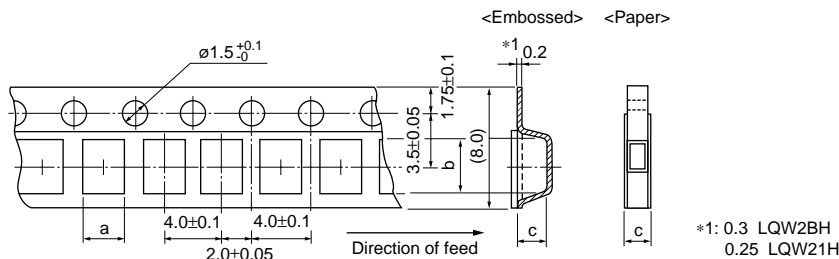
\*1 0.67 (0.6-56nH)  
0.65 (68-120nH)

\*2 0.69 (1.5-2.7nH, 3.9-4.7nH, 5.8-6.8nH, 8.2-9.5nH, 11nH, 12nH, 15nH)  
0.66 (2.9nH, 5.1nH, 7.3nH, 7.5nH, 10nH, 13nH, 16-23nH, 100nH, 120nH)  
0.64 (24-91nH)

\*3 0.69 (1.3nH)  
0.66 (2.2-5.6nH)

(in mm)

■ Minimum Quantity and 8mm Width Taping Dimensions



Dimension of the cavity of embossed tape is measured at the bottom side.

Paper Tape

Part Number	Dimensions		Total Thickness of Tape	Packaging Code (Minimum Qty. [pcs.])		
	a	b		c	ø180mm reel	ø330mm reel
LQG18H	1.05	1.85	1.1 max.	D [4000]	J [10000]	B [1000]
LQW18A_00	1.0	1.8	1.1 max.	D [4000]	J [10000]	B [500]
LQW18A_10	1.1	1.9	1.1 max.	D [4000]	J [10000]	B [500]

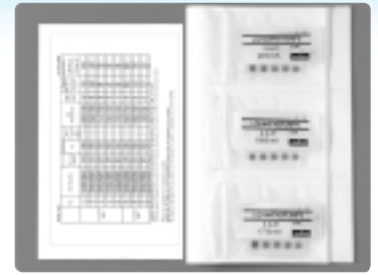
Embossed Tape

Part Number	Dimensions		Depth of Cavity	Packaging Code (Minimum Qty. [pcs.])		
	a	b		c	ø180mm reel	ø330mm reel
LQH31H, LQW31H	1.9	3.6	2.0	L [2000]	K [7500]	-
LQW21H	1.55	2.3	1.1	L [3000]	-	B [500]
LQW2BH	1.75	2.3	2.0	L [2000]	K [7500]	-
LQW2BA	1.8	2.3	1.65	L [2000]	-	-
LQW2UA	2.7	2.8	2.15	L [2000]	-	-

(in mm)

△Note • Please read rating and △CAUTION (for storage, operating, rating, soldering, mounting and handling) in this catalog to prevent smoking and/or burning, etc.  
• This catalog has only typical specifications because there is no space for detailed specifications. Therefore, please review our product specifications or consult the approval sheet for product specifications before ordering.

■ Holder Type



● EKLMQ15SC (High Frequency Multilayer Type)

No.	Part Number	Quantity (pcs.)	Inductance		Q (min.)	DC Resistance (Ω) max.	Rated Current (mA)
			Nominal	Tolerance			
1	LQG15HS1N0S02	10	1.0nH	±0.3nH	8	0.07	300
2	LQG15HS1N1S02	10	1.1nH	±0.3nH	8	0.09	300
3	LQG15HS1N2S02	10	1.2nH	±0.3nH	8	0.09	300
4	LQG15HS1N3S02	10	1.3nH	±0.3nH	8	0.09	300
5	LQG15HS1N5S02	10	1.5nH	±0.3nH	8	0.10	300
6	LQG15HS1N6S02	10	1.6nH	±0.3nH	8	0.10	300
7	LQG15HS1N8S02	10	1.8nH	±0.3nH	8	0.10	300
8	LQG15HS2N0S02	10	2.0nH	±0.3nH	8	0.10	300
9	LQG15HS2N2S02	10	2.2nH	±0.3nH	8	0.12	300
10	LQG15HS2N4S02	10	2.4nH	±0.3nH	8	0.15	300
11	LQG15HS2N7S02	10	2.7nH	±0.3nH	8	0.15	300
12	LQG15HS3N0S02	10	3.0nH	±0.3nH	8	0.17	300
13	LQG15HS3N3S02	10	3.3nH	±0.3nH	8	0.17	300
14	LQG15HS3N6S02	10	3.6nH	±0.3nH	8	0.18	300
15	LQG15HS3N9S02	10	3.9nH	±0.3nH	8	0.18	300
16	LQG15HS4N3S02	10	4.3nH	±0.3nH	8	0.18	300
17	LQG15HS4N7S02	10	4.7nH	±0.3nH	8	0.18	300
18	LQG15HS5N1S02	10	5.1nH	±0.3nH	8	0.20	300
19	LQG15HS5N6S02	10	5.6nH	±0.3nH	8	0.20	300
20	LQG15HS6N2S02	10	6.2nH	±0.3nH	8	0.22	300
21	LQG15HS6N8J02	10	6.8nH	±5%	8	0.24	300
22	LQG15HS7N5J02	10	7.5nH	±5%	8	0.24	300
23	LQG15HS8N2J02	10	8.2nH	±5%	8	0.24	300
24	LQG15HS9N1J02	10	9.1nH	±5%	8	0.26	300
25	LQG15HS10N1J02	10	10nH	±5%	8	0.26	300
26	LQG15HS12N1J02	10	12nH	±5%	8	0.28	300
27	LQG15HS15N1J02	10	15nH	±5%	8	0.32	300
28	LQG15HS18N1J02	10	18nH	±5%	8	0.36	300
29	LQG15HS22N1J02	10	22nH	±5%	8	0.42	300
30	LQG15HS27N1J02	10	27nH	±5%	8	0.46	300
31	LQG15HS33N1J02	10	33nH	±5%	8	0.58	200
32	LQG15HS39N1J02	10	39nH	±5%	8	0.65	200
33	LQG15HS47N1J02	10	47nH	±5%	8	0.72	200
34	LQG15HS56N1J02	10	56nH	±5%	8	0.82	200
35	LQG15HS68N1J02	10	68nH	±5%	8	0.92	180
36	LQG15HS82N1J02	10	82nH	±5%	8	1.20	150
37	LQG15HSR10J02	10	100nH	±5%	8	1.25	150
38	LQG15HSR12J02	10	120nH	±5%	8	1.30	150
39	LQG15HSR15J02	10	150nH	±5%	8	2.99	140
40	LQG15HSR18J02	10	180nH	±5%	8	3.38	130
41	LQG15HSR22J02	10	220nH	±5%	8	3.77	120
42	LQG15HSR27J02	10	270nH	±5%	8	4.94	110

● EKLMQG18B (High Frequency Multilayer Type)

No.	Part Number	Quantity (pcs.)	Inductance		Q (min.)	DC Resistance (Ω) max.	Rated Current (mA)
			Nominal	Tolerance			
1	LQG18HN1N2S00	10	1.2nH	±0.3nH	12	0.10	500
2	LQG18HN1N5S00	10	1.5nH	±0.3nH	12	0.10	500
3	LQG18HN1N8S00	10	1.8nH	±0.3nH	12	0.10	500
4	LQG18HN2N2S00	10	2.2nH	±0.3nH	12	0.10	500
5	LQG18HN2N7S00	10	2.7nH	±0.3nH	12	0.15	500
6	LQG18HN3N3S00	10	3.3nH	±0.3nH	12	0.15	500
7	LQG18HN3N9S00	10	3.9nH	±0.3nH	12	0.15	450
8	LQG18HN4N7S00	10	4.7nH	±0.3nH	12	0.20	450
9	LQG18HN5N6S00	10	5.6nH	±0.3nH	12	0.20	430

Continued on the following page.

△Note • Please read rating and △CAUTION (for storage, operating, rating, soldering, mounting and handling) in this catalog to prevent smoking and/or burning, etc.

• This catalog has only typical specifications because there is no space for detailed specifications. Therefore, please review our product specifications or consult the approval sheet for product specifications before ordering.

Continued from the preceding page.

No.	Part Number	Quantity (pcs.)	Inductance		Q (min.)	DC Resistance (Ω) max.	Rated Current (mA)
			Nominal	Tolerance			
10	LQG18HN6N8J00	10	6.8nH	±5%	12	0.25	430
11	LQG18HN8N2J00	10	8.2nH	±5%	12	0.25	400
12	LQG18HN10NJ00	10	10nH	±5%	12	0.30	400
13	LQG18HN12NJ00	10	12nH	±5%	12	0.35	400
14	LQG18HN15NJ00	10	15nH	±5%	12	0.40	350
15	LQG18HN18NJ00	10	18nH	±5%	12	0.45	350
16	LQG18HN22NJ00	10	22nH	±5%	12	0.50	300
17	LQG18HN27NJ00	10	27nH	±5%	12	0.55	300
18	LQG18HN33NJ00	10	33nH	±5%	12	0.60	300
19	LQG18HN39NJ00	10	39nH	±5%	12	0.65	300
20	LQG18HN47NJ00	10	47nH	±5%	12	0.70	300
21	LQG18HN56NJ00	10	56nH	±5%	12	0.75	300
22	LQG18HN68NJ00	10	68nH	±5%	12	0.80	300
23	LQG18HN82NJ00	10	82nH	±5%	12	0.85	300
24	LQG18HNR10J00	10	100nH	±5%	12	0.90	300

●EKLMP02C (High Frequency Film Type)

No.	Part Number	Quantity (pcs.)	Inductance		Q (min.)	DC Resistance (Ω) max.	Rated Current (mA)
			Nominal	Tolerance			
1	LQP02TN0N4S02	10	0.4nH	±0.3nH	8	0.60	320
2	LQP02TN0N5S02	10	0.5nH	±0.3nH	8	0.60	320
3	LQP02TN0N6S02	10	0.6nH	±0.3nH	8	0.60	320
4	LQP02TN0N7S02	10	0.7nH	±0.3nH	8	0.60	320
5	LQP02TN0N8S02	10	0.8nH	±0.3nH	8	0.60	320
6	LQP02TN0N9S02	10	0.9nH	±0.3nH	8	0.60	320
7	LQP02TN1N0S02	10	1.0nH	±0.3nH	8	0.90	220
8	LQP02TN1N1S02	10	1.1nH	±0.3nH	8	0.90	220
9	LQP02TN1N2S02	10	1.2nH	±0.3nH	8	0.90	220
10	LQP02TN1N3S02	10	1.3nH	±0.3nH	8	0.90	220
11	LQP02TN1N5S02	10	1.5nH	±0.3nH	8	0.90	220
12	LQP02TN1N6S02	10	1.6nH	±0.3nH	8	0.90	220
13	LQP02TN1N8S02	10	1.8nH	±0.3nH	8	1.35	200
14	LQP02TN2N0S02	10	2.0nH	±0.3nH	8	1.35	200
15	LQP02TN2N2S02	10	2.2nH	±0.3nH	8	1.35	200
16	LQP02TN2N4S02	10	2.4nH	±0.3nH	8	1.35	200
17	LQP02TN2N7S02	10	2.7nH	±0.3nH	8	1.35	200
18	LQP02TN3N0S02	10	3.0nH	±0.3nH	8	1.35	200
19	LQP02TN3N3S02	10	3.3nH	±0.3nH	8	1.65	180
20	LQP02TN3N6S02	10	3.6nH	±0.3nH	8	1.65	180
21	LQP02TN3N9S02	10	3.9nH	±0.3nH	8	1.65	180
22	LQP02TN4N3S02	10	4.3nH	±0.3nH	8	1.65	180
23	LQP02TN4N7S02	10	4.7nH	±0.3nH	8	2.10	160
24	LQP02TN5N1S02	10	5.1nH	±0.3nH	8	2.10	160
25	LQP02TN5N6S02	10	5.6nH	±0.3nH	8	2.40	140
26	LQP02TN6N2J02	10	6.2nH	±5%	8	2.40	140
27	LQP02TN6N8J02	10	6.8nH	±5%	8	2.85	140
28	LQP02TN7N5J02	10	7.5nH	±5%	8	2.85	140
29	LQP02TN8N2J02	10	8.2nH	±5%	8	3.15	140
30	LQP02TN9N1J02	10	9.1nH	±5%	8	3.15	140
31	LQP02TN10NJ02	10	10nH	±5%	8	3.60	140
32	LQP02TN12NJ02	10	12nH	±5%	7	3.90	140
33	LQP02TN15NJ02	10	15nH	±5%	7	4.35	140
34	LQP02TN18NJ02	10	18nH	±5%	7	4.80	140

●EKLMP32B (High Frequency Film Type)

No.	Part Number	Quantity (pcs.)	Inductance		Q (min.)	DC Resistance (Ω) max.	Rated Current (mA)
			Nominal	Tolerance			
1	LQP03TN0N6B02	10	0.6nH	±0.1nH	14	0.07	850
2	LQP03TN0N7B02	10	0.7nH	±0.1nH	14	0.08	800
3	LQP03TN0N8B02	10	0.8nH	±0.1nH	14	0.08	800
4	LQP03TN0N9B02	10	0.9nH	±0.1nH	14	0.10	750
5	LQP03TN1N0B02	10	1.0nH	±0.1nH	14	0.10	750
6	LQP03TN1N1B02	10	1.1nH	±0.1nH	14	0.10	750
7	LQP03TN1N2B02	10	1.2nH	±0.1nH	14	0.10	750
8	LQP03TN1N3B02	10	1.3nH	±0.1nH	14	0.15	600

Continued on the following page. ↗

△Note • Please read rating and △CAUTION (for storage, operating, rating, soldering, mounting and handling) in this catalog to prevent smoking and/or burning, etc.  
 • This catalog has only typical specifications because there is no space for detailed specifications. Therefore, please review our product specifications or consult the approval sheet for product specifications before ordering.



Continued from the preceding page.

No.	Part Number	Quantity (pcs.)	Inductance		Q (min.)	DC Resistance (Ω) max.	Rated Current (mA)
			Nominal	Tolerance			
9	LQP03TN1N4B02	10	1.4nH	±0.1nH	14	0.15	600
10	LQP03TN1N5B02	10	1.5nH	±0.1nH	14	0.15	600
11	LQP03TN1N6B02	10	1.6nH	±0.1nH	14	0.15	600
12	LQP03TN1N7B02	10	1.7nH	±0.1nH	14	0.15	600
13	LQP03TN1N8B02	10	1.8nH	±0.1nH	14	0.15	600
14	LQP03TN1N9B02	10	1.9nH	±0.1nH	14	0.15	600
15	LQP03TN2N0B02	10	2.0nH	±0.1nH	14	0.15	600
16	LQP03TN2N1B02	10	2.1nH	±0.1nH	14	0.15	600
17	LQP03TN2N2B02	10	2.2nH	±0.1nH	14	0.15	600
18	LQP03TN2N3B02	10	2.3nH	±0.1nH	14	0.20	500
19	LQP03TN2N4B02	10	2.4nH	±0.1nH	14	0.20	500
20	LQP03TN2N5B02	10	2.5nH	±0.1nH	14	0.20	500
21	LQP03TN2N6B02	10	2.6nH	±0.1nH	14	0.20	500
22	LQP03TN2N7B02	10	2.7nH	±0.1nH	14	0.20	500
23	LQP03TN2N8B02	10	2.8nH	±0.1nH	14	0.20	500
24	LQP03TN2N9B02	10	2.9nH	±0.1nH	14	0.20	500
25	LQP03TN3N0B02	10	3.0nH	±0.1nH	14	0.25	450
26	LQP03TN3N1B02	10	3.1nH	±0.1nH	14	0.25	450
27	LQP03TN3N2B02	10	3.2nH	±0.1nH	14	0.25	450
28	LQP03TN3N3B02	10	3.3nH	±0.1nH	14	0.25	450
29	LQP03TN3N4B02	10	3.4nH	±0.1nH	14	0.25	450
30	LQP03TN3N5B02	10	3.5nH	±0.1nH	14	0.25	450
31	LQP03TN3N6B02	10	3.6nH	±0.1nH	14	0.30	400
32	LQP03TN3N7B02	10	3.7nH	±0.1nH	14	0.30	400
33	LQP03TN3N8B02	10	3.8nH	±0.1nH	14	0.30	400
34	LQP03TN3N9B02	10	3.9nH	±0.1nH	14	0.30	400
35	LQP03TN4N3H02	10	4.3nH	±3%	14	0.40	350
36	LQP03TN4N7H02	10	4.7nH	±3%	14	0.40	350
37	LQP03TN5N1H02	10	5.1nH	±3%	14	0.40	350
38	LQP03TN5N6H02	10	5.6nH	±3%	14	0.40	350
39	LQP03TN6N2H02	10	6.2nH	±3%	14	0.60	300
40	LQP03TN6N8H02	10	6.8nH	±3%	14	0.60	300
41	LQP03TN7N5H02	10	7.5nH	±3%	14	0.60	300
42	LQP03TN8N2H02	10	8.2nH	±3%	14	0.70	250
43	LQP03TN9N1H02	10	9.1nH	±3%	14	0.70	250
44	LQP03TN10NH02	10	10nH	±3%	14	0.70	250
45	LQP03TN12NH02	10	12nH	±3%	12	0.70	250
46	LQP03TN15NH02	10	15nH	±3%	12	0.70	250
47	LQP03TN18NH02	10	18nH	±3%	12	0.80	200
48	LQP03TN22NH02	10	22nH	±3%	12	1.90	150
49	LQP03TN27NH02	10	27nH	±5%	12	2.30	140
50	LQP03TN33NJ02	10	33nH	±5%	9	2.95	120
51	LQP03TN39NJ02	10	39nH	±5%	9	3.00	120
52	LQP03TN47NJ02	10	47nH	±5%	9	3.60	100
53	LQP03TN56NJ02	10	56nH	±5%	9	3.90	100
54	LQP03TN68NJ02	10	68nH	±5%	8	8	50
55	LQP03TN82NJ02	10	82nH	±5%	8	10	50
56	LQP03TNR10J02	10	100nH	±5%	8	10	40
57	LQP03TNR12J02	10	120nH	±5%	8	12	40

●EKLMP15B (High Frequency Film Type)

No.	Part Number	Quantity (pcs.)	Inductance		Q (min.)	DC Resistance (Ω) max.	Rated Current (mA)
			Nominal	Tolerance			
1	LQP15MN1N0B02	10	1.0nH	0.1nH	13	0.1	400
2	LQP15MN1N1B02	10	1.1nH	0.1nH	13	0.1	390
3	LQP15MN1N2B02	10	1.2nH	0.1nH	13	0.1	390
4	LQP15MN1N3B02	10	1.3nH	0.1nH	13	0.2	280
5	LQP15MN1N5B02	10	1.5nH	0.1nH	13	0.2	280
6	LQP15MN1N6B02	10	1.6nH	0.1nH	13	0.3	220
7	LQP15MN1N8B02	10	1.8nH	0.1nH	13	0.2	280
8	LQP15MN2N0B02	10	2.0nH	0.1nH	13	0.3	220
9	LQP15MN2N2B02	10	2.2nH	0.1nH	13	0.3	220
10	LQP15MN2N4B02	10	2.4nH	0.1nH	13	0.3	220
11	LQP15MN2N7B02	10	2.7nH	0.1nH	13	0.3	220
12	LQP15MN3N0B02	10	3.0nH	0.1nH	13	0.4	190

Continued on the following page. ↗

⚠Note • Please read rating and ⚠CAUTION (for storage, operating, rating, soldering, mounting and handling) in this catalog to prevent smoking and/or burning, etc.  
 • This catalog has only typical specifications because there is no space for detailed specifications. Therefore, please review our product specifications or consult the approval sheet for product specifications before ordering.

Inductor for Power Lines (Power Inductor)

Inductor for Low Frequency Circuits

RF Inductor

Design Kits



Continued from the preceding page.

No.	Part Number	Quantity (pcs.)	Inductance		Q (min.)	DC Resistance (Ω) max.	Rated Current (mA)
			Nominal	Tolerance			
13	LQP15MN3N3B02	10	3.3nH	0.1nH	13	0.4	190
14	LQP15MN3N6B02	10	3.6nH	0.1nH	13	0.5	170
15	LQP15MN3N9B02	10	3.9nH	0.1nH	13	0.5	170
16	LQP15MN4N3B02	10	4.3nH	0.1nH	13	0.6	160
17	LQP15MN4N7B02	10	4.7nH	0.1nH	13	0.6	160
18	LQP15MN5N1B02	10	5.1nH	±0.1nH	13	0.7	140
19	LQP15MN5N6B02	10	5.6nH	±0.1nH	13	0.7	140
20	LQP15MN6N2B02	10	6.2nH	±0.1nH	13	0.9	130
21	LQP15MN6N8B02	10	6.8nH	±0.1nH	13	0.9	130
22	LQP15MN7N5B02	10	7.5nH	±0.1nH	13	1.1	110
23	LQP15MN8N2B02	10	8.2nH	±0.1nH	13	1.1	110
24	LQP15MN9N1B02	10	9.1nH	±0.1nH	13	1.3	100
25	LQP15MN10NG02	10	10nH	±2%	13	1.3	100
26	LQP15MN12NG02	10	12nH	±2%	13	1.6	90
27	LQP15MN15NG02	10	15nH	±2%	13	1.8	90
28	LQP15MN18NG02	10	18nH	±2%	13	2.0	80
29	LQP15MN22NG02	10	22nH	±2%	13	2.6	70
30	LQP15MN27NG02	10	27nH	±2%	13	3.1	70
31	LQP15MN33NG02	10	33nH	±2%	13	3.8	60

●EKLQW04D (High Frequency Wire Wound Type)

No.	Part Number	Quantity (pcs.)	Inductance		Q (min.)	DC Resistance (Ω) max.	Rated Current (mA)
			Nominal	Tolerance			
1	LQW04AN1N1C00	10	1.1nH	±0.2nH	15	0.03	990
2	LQW04AN1N8C00	10	1.8nH	±0.2nH	15	0.06	700
3	LQW04AN2N7C00	10	2.7nH	±0.2nH	15	0.07	570
4	LQW04AN3N0C00	10	3.0nH	±0.2nH	15	0.07	620
5	LQW04AN3N3C00	10	3.3nH	±0.2nH	10	0.14	440
6	LQW04AN3N6C00	10	3.6nH	±0.2nH	15	0.10	530
7	LQW04AN3N9C00	10	3.9nH	±0.2nH	15	0.10	530
8	LQW04AN4N3C00	10	4.3nH	±0.2nH	15	0.10	530
9	LQW04AN4N7C00	10	4.7nH	±0.2nH	20	0.14	440
10	LQW04AN5N1C00	10	5.1nH	±0.2nH	20	0.12	470
11	LQW04AN5N6C00	10	5.6nH	±0.2nH	20	0.12	470
12	LQW04AN6N2C00	10	6.2nH	±0.2nH	20	0.19	390
13	LQW04AN6N8C00	10	6.8nH	±0.2nH	20	0.14	440
14	LQW04AN7N5C00	10	7.5nH	±0.2nH	20	0.14	440
15	LQW04AN8N2C00	10	8.2nH	±0.2nH	20	0.23	350
16	LQW04AN9N1C00	10	9.1nH	±0.2nH	20	0.16	400
17	LQW04AN10NH00	10	10nH	±3%	20	0.26	330
18	LQW04AN11NH00	10	11nH	±3%	15	0.28	310
19	LQW04AN12NH00	10	12nH	±3%	15	0.28	310
20	LQW04AN13NH00	10	13nH	±3%	15	0.34	280
21	LQW04AN15NH00	10	15nH	±3%	15	0.48	240
22	LQW04AN16NH00	10	16nH	±3%	15	0.38	270
23	LQW04AN18NH00	10	18nH	±3%	15	0.54	220
24	LQW04AN19NH00	10	19nH	±3%	15	0.73	160
25	LQW04AN20NH00	10	20nH	±3%	15	0.56	210
26	LQW04AN22NH00	10	22nH	±3%	15	0.63	200
27	LQW04AN23NH00	10	23nH	±3%	15	0.95	160
28	LQW04AN24NH00	10	24nH	±3%	15	0.95	160
29	LQW04AN25NH00	10	25nH	±3%	15	0.95	160
30	LQW04AN27NH00	10	27nH	±3%	15	0.95	160
31	LQW04AN33NH00	10	33nH	±3%	15	1.11	140

●EKLQW15J (High Frequency Wire Wound Type)

No.	Part Number	Quantity (pcs.)	Inductance		Q (min.)	DC Resistance (Ω) max.	Rated Current (mA)
			Nominal	Tolerance			
1	LQW15AN1N3C10	10	1.3nH	±0.2nH	20	0.017	1200
2	LQW15AN2N2C10	10	2.2nH	±0.2nH	25	0.027	1000
3	LQW15AN3N3D10	10	3.3nH	±0.5nH	30	0.04	900
4	LQW15AN3N4C10	10	3.4nH	±0.2nH	30	0.04	900
5	LQW15AN3N6C10	10	3.6nH	±0.2nH	30	0.04	900
6	LQW15AN5N6C10	10	5.6nH	±0.2nH	30	0.051	800
7	LQW15AN1N5B00	10	1.5nH	±0.1nH	10	0.03	1000

Continued on the following page.

△Note • Please read rating and △CAUTION (for storage, operating, rating, soldering, mounting and handling) in this catalog to prevent smoking and/or burning, etc.  
 • This catalog has only typical specifications because there is no space for detailed specifications. Therefore, please review our product specifications or consult the approval sheet for product specifications before ordering.

Inductor for Power Lines (Power Inductor)  
Inductor for Low Frequency Circuits  
RF Inductor  
Design Kits

Continued from the preceding page.

No.	Part Number	Quantity (pcs.)	Inductance		Q (min.)	DC Resistance (Ω) max.	Rated Current (mA)
			Nominal	Tolerance			
8	LQW15AN2N4B00	10	2.4nH	±0.1nH	20	0.05	850
9	LQW15AN2N5B00	10	2.5nH	±0.1nH	20	0.05	850
10	LQW15AN2N7B00	10	2.7nH	±0.1nH	20	0.05	850
11	LQW15AN2N9B00	10	2.9nH	±0.1nH	20	0.07	750
12	LQW15AN3N9B00	10	3.9nH	±0.1nH	25	0.07	750
13	LQW15AN4N1B00	10	4.1nH	±0.1nH	25	0.07	750
14	LQW15AN4N3B00	10	4.3nH	±0.1nH	25	0.07	750
15	LQW15AN4N7B00	10	4.7nH	±0.1nH	25	0.07	750
16	LQW15AN5N1B00	10	5.1nH	±0.1nH	25	0.12	600
17	LQW15AN5N8B00	10	5.8nH	±0.1nH	25	0.12	700
18	LQW15AN6N2B00	10	6.2nH	±0.1nH	25	0.09	700
19	LQW15AN6N8G00	10	6.8nH	±2%	25	0.09	700
20	LQW15AN7N3G00	10	7.3nH	±2%	25	0.13	570
21	LQW15AN7N5G00	10	7.5nH	±2%	25	0.13	570
22	LQW15AN8N2G00	10	8.2nH	±2%	25	0.14	540
23	LQW15AN8N7G00	10	8.7nH	±2%	25	0.14	540
24	LQW15AN9N1G00	10	9.1nH	±2%	25	0.14	540
25	LQW15AN9N5G00	10	9.5nH	±2%	25	0.14	540
26	LQW15AN10NG00	10	10nH	±2%	25	0.17	500
27	LQW15AN11NG00	10	11nH	±2%	30	0.14	500
28	LQW15AN12NG00	10	12nH	±2%	30	0.14	500
29	LQW15AN13NG00	10	13nH	±2%	25	0.21	430
30	LQW15AN15NG00	10	15nH	±2%	30	0.16	460
31	LQW15AN16NG00	10	16nH	±2%	25	0.24	370
32	LQW15AN18NG00	10	18nH	±2%	25	0.27	370
33	LQW15AN19NG00	10	19nH	±2%	25	0.27	370
34	LQW15AN20NG00	10	20nH	±2%	25	0.27	370
35	LQW15AN22NG00	10	22nH	±2%	25	0.30	310
36	LQW15AN23NG00	10	23nH	±2%	25	0.30	310
37	LQW15AN24NG00	10	24nH	±2%	25	0.52	280
38	LQW15AN27NG00	10	27nH	±2%	25	0.52	280
39	LQW15AN30NG00	10	30nH	±2%	25	0.58	270
40	LQW15AN33NG00	10	33nH	±2%	25	0.63	260
41	LQW15AN36NG00	10	36nH	±2%	25	0.63	260
42	LQW15AN39NG00	10	39nH	±2%	25	0.70	250
43	LQW15AN40NG00	10	40nH	±2%	25	0.70	250
44	LQW15AN43NG00	10	43nH	±2%	25	0.70	250
45	LQW15AN47NG00	10	47nH	±2%	25	1.08	210
46	LQW15AN51NG00	10	51nH	±2%	25	1.08	210
47	LQW15AN56NG00	10	56nH	±2%	25	1.17	200
48	LQW15AN62NG00	10	62nH	±2%	20	1.82	145
49	LQW15AN68NG00	10	68nH	±2%	20	1.96	140
50	LQW15AN75NG00	10	75nH	±2%	20	2.10	135
51	LQW15AN82NG00	10	82nH	±2%	20	2.24	130
52	LQW15AN91NG00	10	91nH	±2%	20	2.38	125
53	LQW15ANR10J00	10	100nH	±5%	20	2.52	120
54	LQW15ANR12J00	10	120nH	±5%	20	2.66	110

●EKLQ18GB (High Frequency Wire Wound Type)

No.	Part Number	Quantity (pcs.)	Inductance		Q (min.)	DC Resistance (Ω) max.	Rated Current (mA)
			Nominal	Tolerance			
1	LQW18AN3N6C00	10	3.6nH	±0.2nH	25	0.059	850
2	LQW18AN3N9C00	10	3.9nH	±0.2nH	35	0.059	850
3	LQW18AN4N3C00	10	4.3nH	±0.2nH	35	0.059	850
4	LQW18AN5N6C00	10	5.6nH	±0.2nH	35	0.082	750
5	LQW18AN6N2C00	10	6.2nH	±0.2nH	35	0.082	750
6	LQW18AN6N8C00	10	6.8nH	±0.2nH	35	0.082	750
7	LQW18AN10NG00	10	10nH	±2%	35	0.11	650
8	LQW18AN11NG00	10	11nH	±2%	35	0.11	650
9	LQW18AN12NG00	10	12nH	±2%	35	0.13	600
10	LQW18AN13NG00	10	13nH	±2%	35	0.13	600
11	LQW18AN15NG00	10	15nH	±2%	40	0.13	600
12	LQW18AN16NG00	10	16nH	±2%	40	0.16	550
13	LQW18AN18NG00	10	18nH	±2%	40	0.16	550
14	LQW18AN20NG00	10	20nH	±2%	40	0.16	550

Continued on the following page. ↗

⚠Note • Please read rating and ⚠CAUTION (for storage, operating, rating, soldering, mounting and handling) in this catalog to prevent smoking and/or burning, etc.  
 • This catalog has only typical specifications because there is no space for detailed specifications. Therefore, please review our product specifications or consult the approval sheet for product specifications before ordering.

Inductor for Power Lines (Power Inductor)

Inductor for Low Frequency Circuits

RF Inductor

Design Kits

Continued from the preceding page.

No.	Part Number	Quantity (pcs.)	Inductance		Q (min.)	DC Resistance (Ω) max.	Rated Current (mA)
			Nominal	Tolerance			
15	LQW18AN22NG00	10	22nH	±2%	40	0.17	500
16	LQW18AN24NG00	10	24nH	±2%	40	0.21	500
17	LQW18AN27NG00	10	27nH	±2%	40	0.21	440
18	LQW18AN30NG00	10	30nH	±2%	40	0.23	420
19	LQW18AN33NG00	10	33nH	±2%	40	0.23	420
20	LQW18AN36NG00	10	36nH	±2%	40	0.26	400
21	LQW18AN39NG00	10	39nH	±2%	40	0.26	400
22	LQW18AN43NG00	10	43nH	±2%	40	0.29	380
23	LQW18AN47NG00	10	47nH	±2%	38	0.29	380
24	LQW18AN51NG00	10	51nH	±2%	38	0.33	370
25	LQW18AN56NG00	10	56nH	±2%	38	0.35	360
26	LQW18AN62NG00	10	62nH	±2%	38	0.51	280
27	LQW18AN68NG00	10	68nH	±2%	38	0.38	340
28	LQW18AN72NG00	10	72nH	±2%	34	0.56	270
29	LQW18AN75NG00	10	75nH	±2%	34	0.56	270
30	LQW18AN82NG00	10	82nH	±2%	34	0.60	250
31	LQW18AN91NG00	10	91nH	±2%	34	0.64	230
32	LQW18ANR10G00	10	100nH	±2%	34	0.68	220
33	LQW18ANR11G00	10	110nH	±2%	32	1.2	200
34	LQW18ANR12G00	10	120nH	±2%	32	1.3	180
35	LQW18ANR13G00	10	130nH	±2%	32	1.4	170
36	LQW18ANR15G00	10	150nH	±2%	32	1.5	160
37	LQW18ANR16G00	10	160nH	±2%	32	2.1	150
38	LQW18ANR18G00	10	180nH	±2%	25	2.2	140
39	LQW18ANR20G00	10	200nH	±2%	25	2.4	120
40	LQW18ANR22G00	10	220nH	±2%	25	2.5	120
41	LQW18ANR27G00	10	270nH	±2%	30	3.4	110
42	LQW18ANR33G00	10	330nH	±2%	30	5.5	85
43	LQW18ANR39G00	10	390nH	±2%	30	6.2	80
44	LQW18ANR47G00	10	470nH	±2%	30	7.0	75
45	LQW18AN3N9C10	10	3.9nH	±0.2nH	38	0.032	1000
46	LQW18AN6N8C10	10	6.8nH	±0.2nH	38	0.045	900
47	LQW18AN10NG10	10	10nH	±2%	38	0.058	800
48	LQW18AN12NG10	10	12nH	±2%	38	0.071	750
49	LQW18AN18NG10	10	18nH	±2%	42	0.085	700
50	LQW18AN22NG10	10	22nH	±2%	42	0.099	640
51	LQW18AN27NG10	10	27nH	±2%	42	0.116	590

●EKLMQW21A (for High Frequency Wire Wound Ferrite Core Type)

No.	Part Number	Quantity (pcs.)	Inductance		Q (min.)	DC Resistance (Ω) max.	Rated Current (mA)
			Nominal	Tolerance			
1	LQW21HNR47J00	10	0.47μH	±5%	35	1.30	160
2	LQW21HNR56J00	10	0.56μH	±5%	35	1.43	150
3	LQW21HNR68J00	10	0.68μH	±5%	35	2.21	130
4	LQW21HNR82J00	10	0.82μH	±5%	35	2.34	125
5	LQW21HN1R0J00	10	1.0μH	±5%	35	2.86	115
6	LQW21HN1R2J00	10	1.2μH	±5%	35	3.12	100
7	LQW21HN1R5J00	10	1.5μH	±5%	35	5.33	85
8	LQW21HN1R8J00	10	1.8μH	±5%	35	5.85	80
9	LQW21HN2R2J00	10	2.2μH	±5%	35	6.50	75

●EKLMQW2BB (for High Frequency Wire Wound Air Core Type)

No.	Part Number	Quantity (pcs.)	Inductance		Q (min.)	DC Resistance (Ω) max.	Rated Current (mA)
			Nominal	Tolerance			
1	LQW2BHN2N7D13	10	2.7nH	±0.5nH	20	0.02	1900
2	LQW2BHN3N1D13	10	3.1nH	±0.5nH	20	0.02	1800
3	LQW2BHN3N3D13	10	3.3nH	±0.5nH	20	0.02	1700
4	LQW2BHN5N6D13	10	5.6nH	±0.5nH	35	0.02	1500
5	LQW2BHN6N8D13	10	6.8nH	±0.5nH	35	0.02	1400
6	LQW2BHN8N6D13	10	8.6nH	±0.5nH	35	0.03	1300
7	LQW2BHN10NJ13	10	10nH	±5%	35	0.03	1320
8	LQW2BHN12NK13	10	12nH	±10%	40	0.04	1100
9	LQW2BHN15NK13	10	15nH	±10%	40	0.04	1000
10	LQW2BHN18NK13	10	18.8nH	±10%	40	0.05	1000
11	LQW2BHN21NK13	10	21nH	±10%	40	0.05	950

Continued on the following page.

⚠Note • Please read rating and ⚠CAUTION (for storage, operating, rating, soldering, mounting and handling) in this catalog to prevent smoking and/or burning, etc.  
 • This catalog has only typical specifications because there is no space for detailed specifications. Therefore, please review our product specifications or consult the approval sheet for product specifications before ordering.

Continued from the preceding page.

No.	Part Number	Quantity (pcs.)	Inductance		Q (min.)	DC Resistance (Ω) max.	Rated Current (mA)
			Nominal	Tolerance			
12	LQW2BHN27NK13	10	27nH	±10%	40	0.06	900
13	LQW2BHN33NJ03	10	33nH	±5%	40	0.15	570
14	LQW2BHN39NJ03	10	39nH	±5%	40	0.09	730
15	LQW2BHN47NJ03	10	47nH	±5%	40	0.23	450
16	LQW2BHN56NJ03	10	56nH	±5%	40	0.26	430
17	LQW2BHN68NJ03	10	68nH	±5%	40	0.23	460
18	LQW2BHN82NJ03	10	82nH	±5%	40	0.42	320
19	LQW2BHNR10J03	10	100nH	±5%	40	0.38	350
20	LQW2BHNR12J03	10	120nH	±5%	40	0.40	320
21	LQW2BHNR15J03	10	150nH	±5%	30	0.47	390
22	LQW2BHNR18J03	10	180nH	±5%	35	0.71	250
23	LQW2BHNR22J03	10	220nH	±5%	35	0.70	240
24	LQW2BHNR27K03	10	270nH	±10%	15	2.00	190
25	LQW2BHNR33K03	10	330nH	±10%	15	2.20	180
26	LQW2BHNR39K03	10	390nH	±10%	15	2.50	170
27	LQW2BHNR47K03	10	470nH	±10%	15	2.80	160

●EKLW2BUA (High Frequency Wire Wound Type)

No.	Part Number	Quantity (pcs.)	Inductance		Q (min.)	DC Resistance (Ω) max.	Rated Current (mA)
			Nominal	Tolerance			
1	LQW2BAS2N8J00	10	2.8nH	±5%	80	0.06	800
2	LQW2BAS3N0J00	10	3nH	±5%	65	0.06	800
3	LQW2BAS5N6J00	10	5.6nH	±5%	65	0.08	600
4	LQW2BAS6N8J00	10	6.8nH	±5%	50	0.11	600
5	LQW2BAS7N5J00	10	7.5nH	±5%	50	0.14	600
6	LQW2BAS8N2J00	10	8.2nH	±5%	50	0.12	600
7	LQW2BAS10NJ00	10	10nH	±5%	60	0.10	600
8	LQW2BAS12NJ00	10	12nH	±5%	50	0.15	600
9	LQW2BAS15NJ00	10	15nH	±5%	50	0.17	600
10	LQW2BAS18NJ00	10	18nH	±5%	50	0.20	600
11	LQW2BAS22NJ00	10	22nH	±5%	55	0.22	500
12	LQW2BAS24NJ00	10	24nH	±5%	50	0.22	500
13	LQW2BAS27NJ00	10	27nH	±5%	55	0.25	500
14	LQW2BAS33NJ00	10	33nH	±5%	60	0.27	500
15	LQW2BAS36NJ00	10	36nH	±5%	55	0.27	500
16	LQW2BAS39NJ00	10	39nH	±5%	60	0.29	500
17	LQW2BAS43NJ00	10	43nH	±5%	60	0.34	500
18	LQW2BAS47NJ00	10	47nH	±5%	60	0.31	500
19	LQW2BAS56NJ00	10	56nH	±5%	60	0.34	500
20	LQW2BAS68NJ00	10	68nH	±5%	60	0.38	500
21	LQW2BAS82NJ00	10	82nH	±5%	65	0.42	400
22	LQW2BAS91NJ00	10	91nH	±5%	65	0.48	400
23	LQW2BASR10J00	10	100nH	±5%	65	0.46	400
24	LQW2BASR11J00	10	110nH	±5%	50	0.48	400
25	LQW2BASR12J00	10	120nH	±5%	50	0.51	400
26	LQW2BASR15J00	10	150nH	±5%	50	0.56	400
27	LQW2BASR18J00	10	180nH	±5%	50	0.64	400
28	LQW2BASR22J00	10	220nH	±5%	50	0.70	400
29	LQW2BASR24J00	10	240nH	±5%	44	1.00	350
30	LQW2BASR27J00	10	270nH	±5%	48	1.00	350
31	LQW2BASR33J00	10	330nH	±5%	48	1.40	310
32	LQW2BASR39J00	10	390nH	±5%	48	1.50	290
33	LQW2BASR47J00	10	470nH	±5%	33	1.76	250
34	LQW2BASR56J00	10	560nH	±5%	23	1.90	230
35	LQW2BASR68J00	10	680nH	±5%	23	2.20	190
36	LQW2BASR82J00	10	820nH	±5%	23	2.35	180
37	LQW2UAS12NJ00	10	12nH	±5%	50	0.09	1000
38	LQW2UAS18NJ00	10	18nH	±5%	50	0.11	1000
39	LQW2UAS22NJ00	10	22nH	±5%	55	0.12	1000
40	LQW2UAS27NJ00	10	27nH	±5%	55	0.13	1000
41	LQW2UAS33NJ00	10	33nH	±5%	60	0.14	1000
42	LQW2UAS39NJ00	10	39nH	±5%	60	0.15	1000
43	LQW2UAS47NJ00	10	47nH	±5%	65	0.16	1000
44	LQW2UAS56NJ00	10	56nH	±5%	65	0.18	1000
45	LQW2UAS68NJ00	10	68nH	±5%	65	0.20	1000

Continued on the following page. ↗


⚠Note • Please read rating and ⚠CAUTION (for storage, operating, rating, soldering, mounting and handling) in this catalog to prevent smoking and/or burning, etc.  
 • This catalog has only typical specifications because there is no space for detailed specifications. Therefore, please review our product specifications or consult the approval sheet for product specifications before ordering.

Inductor for Power Lines (Power Inductor)

Inductor for Low Frequency Circuits

RF Inductor

Design Kits

 Continued from the preceding page.

No.	Part Number	Quantity (pcs.)	Inductance		Q (min.)	DC Resistance ( $\Omega$ ) max.	Rated Current (mA)
			Nominal	Tolerance			
46	LQW2UAS82NJ00	10	82nH	$\pm 5\%$	60	0.22	1000
47	LQW2UASR10J00	10	100nH	$\pm 5\%$	60	0.56	650
48	LQW2UASR12J00	10	120nH	$\pm 5\%$	60	0.63	650
49	LQW2UASR15J00	10	150nH	$\pm 5\%$	45	0.70	580
50	LQW2UASR18J00	10	180nH	$\pm 5\%$	45	0.77	620
51	LQW2UASR22J00	10	220nH	$\pm 5\%$	45	0.84	500
52	LQW2UASR27J00	10	270nH	$\pm 5\%$	45	0.91	500
53	LQW2UASR33J00	10	330nH	$\pm 5\%$	45	1.05	450
54	LQW2UASR39J00	10	390nH	$\pm 5\%$	45	1.12	470
55	LQW2UASR47J00	10	470nH	$\pm 5\%$	45	1.19	470
56	LQW2UASR56J00	10	560nH	$\pm 5\%$	45	1.33	400
57	LQW2UASR62J00	10	620nH	$\pm 5\%$	45	1.40	300
58	LQW2UASR68J00	10	680nH	$\pm 5\%$	45	1.47	400
59	LQW2UASR75J00	10	750nH	$\pm 5\%$	45	1.54	360
60	LQW2UASR82J00	10	820nH	$\pm 5\%$	45	1.61	400
61	LQW2UASR91J00	10	910nH	$\pm 5\%$	35	1.68	380
62	LQW2UAS1R0J00	10	1000nH	$\pm 5\%$	35	1.75	370
63	LQW2UAS1R2J00	10	1200nH	$\pm 5\%$	35	2.0	310
64	LQW2UAS1R5J00	10	1500nH	$\pm 5\%$	28	2.3	330
65	LQW2UAS1R8J00	10	1800nH	$\pm 5\%$	28	2.6	300
66	LQW2UAS2R2J00	10	2200nH	$\pm 5\%$	28	2.8	280
67	LQW2UAS2R7J00	10	2700nH	$\pm 5\%$	22	3.2	290
68	LQW2UAS3R3J00	10	3300nH	$\pm 5\%$	22	3.4	290
69	LQW2UAS3R9J00	10	3900nH	$\pm 5\%$	20	3.6	260
70	LQW2UAS4R7J00	10	4700nH	$\pm 5\%$	20	4.0	260

$\Delta$ Note • Please read rating and  $\Delta$ CAUTION (for storage, operating, rating, soldering, mounting and handling) in this catalog to prevent smoking and/or burning, etc.  
 • This catalog has only typical specifications because there is no space for detailed specifications. Therefore, please review our product specifications or consult the approval sheet for product specifications before ordering.

# Memo



## Inductor for Power Lines (Power Inductor)

LQH2MC	.....	p.33
LQH2HP	.....	p.37
LQH3NP	.....	p.39
LQH31C	.....	p.68
LQH32C	.....	p.69
LQH32P	.....	p.46
LQH43C	.....	p.72
LQH43P	.....	p.50
LQH44P	.....	p.52
LQH5BP	.....	p.56
LQH55D	.....	p.74
LQH55P	.....	p.58
LQH66S	.....	p.76
LQM18F	.....	p.60
LQM18P	.....	p.14
LQM21D	.....	p.61
LQM21F	.....	p.62
LQM21P	.....	p.19
LQM2MP	.....	p.23
LQM2HP	.....	p.25
LQM31F	.....	p.65
LQM31P	.....	p.30
LQM32P	.....	p.32
LQW15C	.....	p.66
LQW18C	.....	p.67

## Inductor for Low Frequency Circuits

LQH31M	.....	p.99
LQH32M	.....	p.101
LQH43M	.....	p.103
LQH43N	.....	p.103
LQM18N	.....	p.95
LQM21N	.....	p.97

## RF Inductor

LOG15H	.....	p.118
LOG18H	.....	p.123
LQH31H	.....	p.164
LQP02T	.....	p.125
LQP03T	.....	p.128
LQP15M	.....	p.134
LQP15T	.....	p.132
LQP18M	.....	p.137
LQW04A	.....	p.139
LQW15A	.....	p.142
LQW18A	.....	p.149
LQW21H	.....	p.163
LQW2BA	.....	p.157
LQW2BH	.....	p.154
LQW2UA	.....	p.159
LQW31H	.....	p.161



# Design Support Software SimSurfing

**SimSurfing is the latest tool to get the electrical characteristics for Power Inductor or RF Inductor on the internet !**

You can easily search and download the following data for Inductor with no special software.

- ① Part number search
- ② Frequency characteristics (S11, S12, S21, S22, Z, R, X, Y, G, B, L, Q)
- ③ L-DC current characteristics at each temp., for Power Inductor
- ④ L-Temperature characteristics at each Bias current, for Power Inductor
- ⑤ Delta T-DC current characteristics, for Power Inductor
- ⑥ DCR-Temperature characteristics, for Power Inductor
- ⑦ S-Parameter download

## 1 Select the Products

- (1) By part number
- (2) By performance

## 2 Show graph

Click each button in <Graph out put> area.

## 3 Data download

Click each button in <data down load> area.

The image shows two screenshots of the SimSurfing software interface. The top screenshot illustrates the search process, with callouts for:
 

- 1 (1) By part number:** A text box labeled '<Part Number Select>' is shown with a red arrow pointing to the search input field.
- 1 (2) By performance:** A 'Search' button is highlighted with a red box, and a list of part numbers is shown in the results area.

 The bottom screenshot shows the graphing and data download steps:
 

- 2:** Two graphs are displayed: one showing S11 (dB) vs Frequency (MHz) and another showing Resistance (ohm) vs Frequency (MHz).
- 3:** A 'Data download' button is highlighted with a red box in the bottom right corner.

These images are captured at August/2010. Be sure that this software will be updated frequently.

<http://ds.murata.co.jp/software/simsurfing/en-us/>

△Note • Please read rating and △CAUTION (for storage, operating, rating, soldering, mounting and handling) in this catalog to prevent smoking and/or burning, etc.  
• This catalog has only typical specifications because there is no space for detailed specifications. Therefore, please review our product specifications or consult the approval sheet for product specifications before ordering.

# EMICON-FUN!

Please check Murata's newsletter!  
 You can learn about electric parts with fun.  
[http://www.murata.com/products/emicon\\_fun/](http://www.murata.com/products/emicon_fun/)

EMICON COLUMN introduce hand-made columns with know-how of capacitors, inductors and EMI suppression filters.  
 m's CAFÉ is a relaxing easy essay. Please make yourself at home with EMICON-FUN!

You can register from Murata Manufacturing Web site page TOP.  
<http://www.murata.com/>



← This banner is the entrance of register form

The screenshot shows the Murata Manufacturing Co., Ltd. Global website. The main navigation includes News, Products, About MURATA, and Investor Relations. The EMICON-FUN! section features a large banner for the 'Inductor Room' with a dog on a sofa and a 'Message from Murata' card. Below the banner is a 'Recent articles' list with dates and titles like 'Capacitor Room' and 'Inductor Room'. A 'Murata Newsletter' registration box is on the right, and a 'Search by keyword' section lists categories like Capacitor, EMI filters, and Inductors. An overlay shows a newsletter registration form with fields for name, email, and phone, and a list of products to receive.

**You have a chance to get Murata's original goods by answering to a short questionnaire!**

Mail magazine to learn electric parts with fun EMICON-FUN!  
 The index of August 20 issue

- Products news
- Inductor ROOM
- Introduction of "SimSurfing"
- Questionnaire & Gift

Introduce hand-made columns with know-how of capacitors, inductors and EMI suppression filters.

#####

New products news

Hi-Spec chip ferrite bead BLM15PX121SN1  
 Now has smaller DC resistance and higher rated current.  
<http://newsletter.murata.co.jp/1016XXXXXXX>

CHIP MONOLITHIC CERAMIC CAPACITOR  
 Capacitance 1.0uF and over  
 GRM188R60G226MEA0L  
<http://newsletter.murata.co.jp/1017XXXXXXX>

GRM31CR61A476ME15L  
<http://newsletter.murata.co.jp/1018XXXXXXX>

△Note • Please read rating and △CAUTION (for storage, operating, rating, soldering, mounting and handling) in this catalog to prevent smoking and/or burning, etc.  
 • This catalog has only typical specifications because there is no space for detailed specifications. Therefore, please review our product specifications or consult the approval sheet for product specifications before ordering.

**⚠ Note:**

1. Export Control

<For customers outside Japan>

No Murata products should be used or sold, through any channels, for use in the design, development, production, utilization, maintenance or operation of, or otherwise contribution to (1) any weapons (Weapons of Mass Destruction [nuclear, chemical or biological weapons or missiles] or conventional weapons) or (2) goods or systems specially designed or intended for military end-use or utilization by military end-users.

<For customers in Japan>

For products which are controlled items subject to the "Foreign Exchange and Foreign Trade Law" of Japan, the export license specified by the law is required for export.

2. Please contact our sales representatives or product engineers before using the products in this catalog for the applications listed below, which require especially high reliability for the prevention of defects which might directly damage a third party's life, body or property, or when one of our products is intended for use in applications other than those specified in this catalog.

- |                             |  |
|-----------------------------|--|
| ① Aircraft equipment        | ② Aerospace equipment  |
| ③ Undersea equipment        | ④ Power plant equipment  |
| ⑤ Medical equipment         | ⑥ Transportation equipment (vehicles, trains, ships, etc.)   |
| ⑦ Traffic signal equipment  | ⑧ Disaster prevention / crime prevention equipment   |
| ⑨ Data-processing equipment | ⑩ Application of similar complexity and/or reliability requirements to the applications listed above |

3. Product specifications in this catalog are as of July 2011. They are subject to change or our products in it may be discontinued without advance notice. Please check with our sales representatives or product engineers before ordering. If there are any questions, please contact our sales representatives or product engineers.

4. Please read rating and ⚠CAUTION (for storage, operating, rating, soldering, mounting and handling) in this catalog to prevent smoking and/or burning, etc.

5. This catalog has only typical specifications because there is no space for detailed specifications. Therefore, please review our product specifications or consult the approval sheet for product specifications before ordering.

6. Please note that unless otherwise specified, we shall assume no responsibility whatsoever for any conflict or dispute that may occur in connection with the effect of our and/or a third party's intellectual property rights and other related rights in consideration of your use of our products and/or information described or contained in our catalogs. In this connection, no representation shall be made to the effect that any third parties are authorized to use the rights mentioned above under licenses without our consent.

7. No ozone depleting substances (ODS) under the Montreal Protocol are used in our manufacturing process.



<http://www.murata.com/>

**Head Office**

1-10-1, Higashi Kotari, Nagaokakyo-shi, Kyoto 617-8555, Japan  
Phone: 81-75-951-9111

**International Division**

3-29-12, Shibuya, Shibuya-ku, Tokyo 150-0002, Japan  
Phone: 81-3-5469-6123 Fax: 81-3-5469-6155 E-mail: intl@murata.co.jp

**Cat. No. O05E-23**