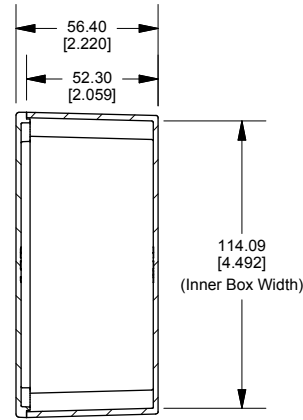
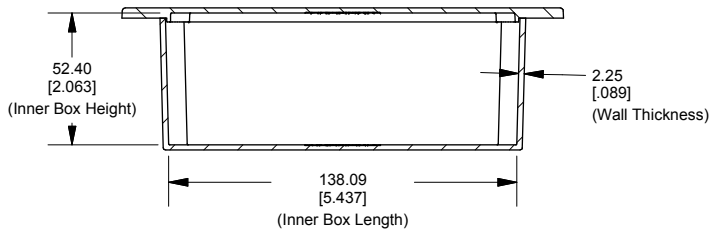
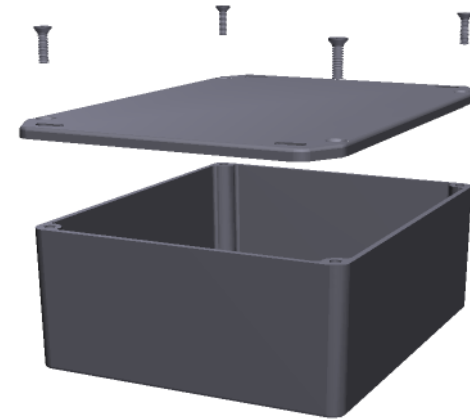


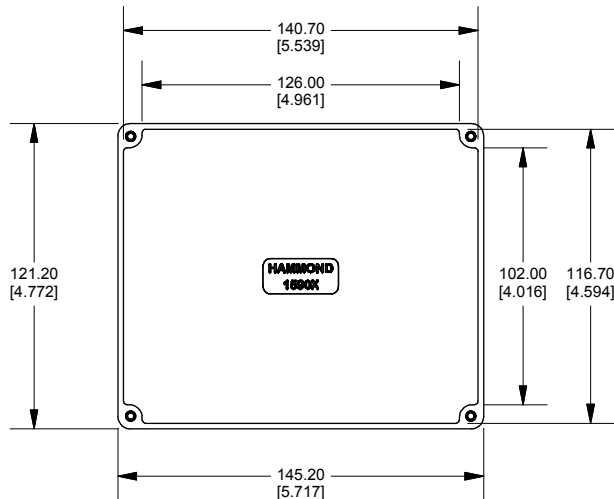
**ASSEMBLY**



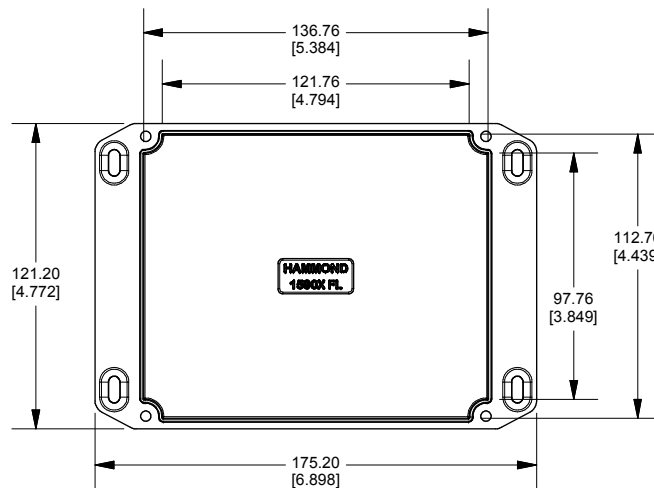
**SECTION A-A**



**SECTION B-B**



**BOX - INSIDE**



Enclosures can be Factory Modified ( Milling, Drilling, Printing etc.)  
 Contact Factory [mjm@hammondmfg.com](mailto:mjm@hammondmfg.com) for quotes  
 Solid models of this enclosure available in STEP or IGES.

| NOTE   |              |
|--|--------------|
| Purchased assembly includes box, lid and 4 cover screws.<br>Box and lid are made from Diecast Aluminum Alloy.<br>Silicone Gasket Loctite #5950 |              |
| PART NUMBERS   |              |
| 1590XFL Enclosure  |              |
| Unfinished   | 1590XFL      |
| Grey Textured Polyester Powder Paint - RAL 7038  | 1590XFLGY    |
| Black Textured Polyester Powder Paint - RAL 9011   | 1590XFLBK    |
| 1590XFL Liquid Resistant Enclosure (Silicon Factory Installed Gasket)  |              |
| Unfinished   | 1590WXFL     |
| Black Textured Powder Paint  | 1590WXFLBK   |
| ACCESSORIES  |              |
| Recommended Torque: 75 ozf.in / 55 cN.m  |              |
| Black Textured Cover Screws (Pkg 100)<br>[6-32 x 1/2" SS Type 304]   | 1590WMS100BK |
| Unfinished Cover Screws (Pkg 100)<br>[6-32 x 1/2" SS Type 304]   | 1590WMS100   |
| Standard Cover Screws  |              |
| Unfinished Cover Screws (Pkg 100)<br>[6-32 x 1/2" Nickel Plated Screws]  | 1590MS100    |
| Black Textured Cover Screws (Pkg 50)<br>[6-32 x 1/2" Nickel Plated Screws]   | 1590MS50BK   |

