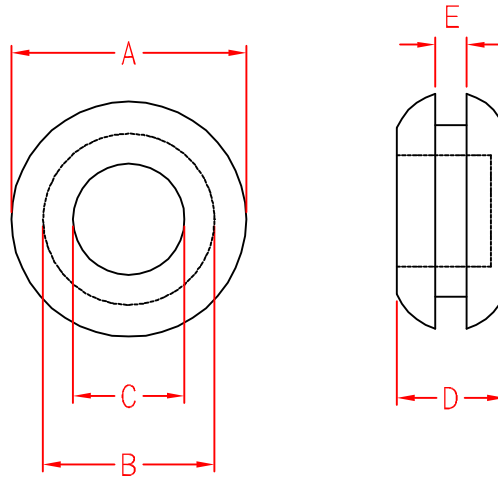


# GMCQ TYPE



ITEM NO.	A	B	C	D	E
GMCQ-0603	8.5±0.25	6.0±0.25	3.0±0.25	4.7±0.25	1.7±0.25
GMCQ-0705	10.2±0.35	7.2±0.25	5.0±0.25	4.4±0.25	1.7±0.25
GMCQ-1006	13.3±0.35	10.0±0.35	6.4±0.25	6.3±0.25	1.7±0.25
GMCQ-1108S	15.5±0.35	10.9±0.35	7.8±0.25	7.8±0.25	2.3±0.25
GMCQ-1410	19.5±0.35	13.9±0.35	10.5±0.35	6.4±0.25	3.4±0.25
GMCQ-2015	23.7±0.45	20.1±0.45	15.5±0.35	6.1±0.25	1.7±0.25
GMCQ-2518	29.9±0.45	25.1±0.45	18.9±0.35	7.2±0.25	1.5±0.25
GMCQ-3225	38.1±0.45	31.7±0.45	25.0±0.45	7.8±0.25	1.5±0.25

		MATERIAL	ITEM NO.	
		P.V.C.	■ GMCQ TYPE	
SCALE		FINISH	NAME	
		GROMMET(closed)		
△	( . )	TOLERANCE AS FIGURE	△	02-02-2010 DATE
			REVISIONS	K002
				R.NO.

