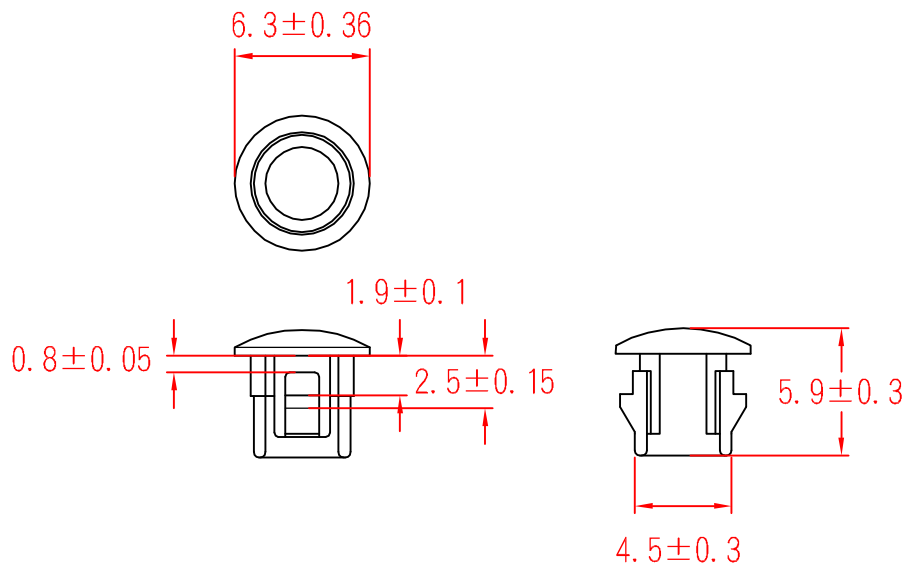


HP-5



		MATERIAL	UL 94V-2	ITEM NO.	HP-5	
			NYLON 66			
SCALE		FINISH		NAME	HOLE PLUG	
\triangle	(. .)	TOLERANCE AS FIGURE		\triangle	10-18-2007 DATE	REVISIONS K001
						R.NO.

