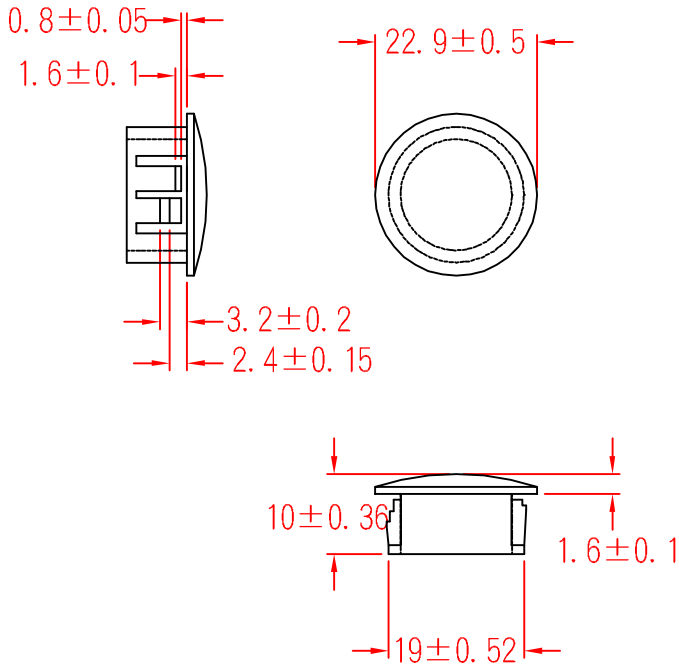


# HP-19



		MATERIAL: UL 94V-2		ITEM NO.	
		NYLON 66		HP-19	
SCALE		FINISH		NAME	
				HOLE PLUG	
$\triangle$ ( . . )		TOLERANCE AS FIGURE		$\triangle$ ( . . )	
				DATE	
				10-18-2007	
				REVISIONS	
				K001	
				R.NO.	

