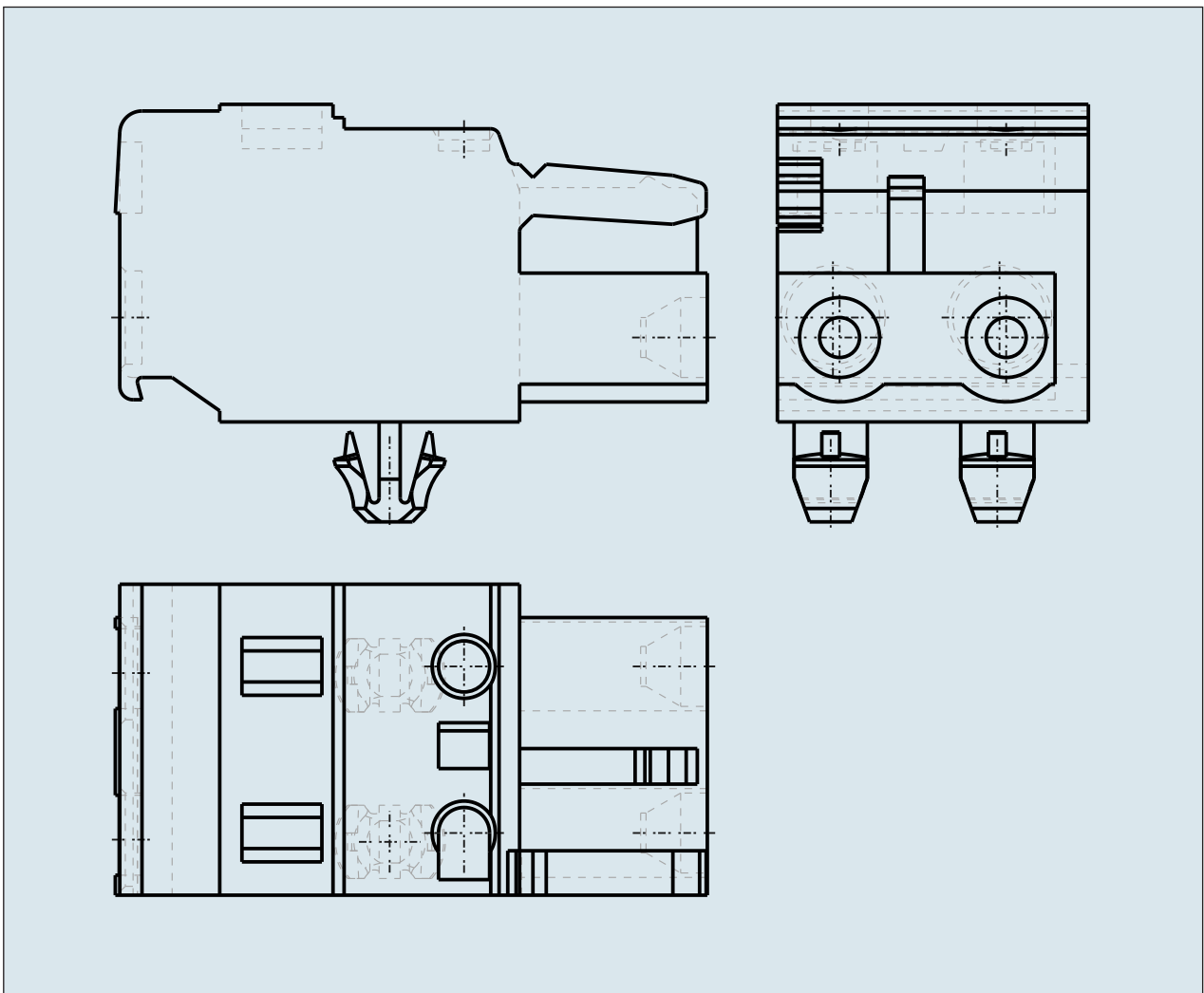
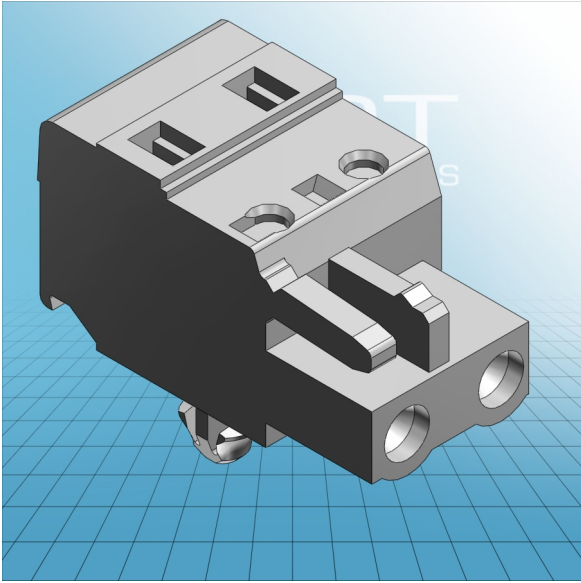


**FEMALE PLUG WITH SNAP-IN
MOUNTING FOOT PIN SPACING 7.5
MM / 0.295 IN 100% PROTECTED
AGAINST MISMATING**



**FEMALE PLUG WITH SNAP-IN
MOUNTING FOOT PIN SPACING 7.5
MM / 0.295 IN 100% PROTECTED
AGAINST MISMATING
721-202/008-000 TO 721-212/008-000**

ITEM-NO. (ITEM-NO.)	721-202/008-000
Cross section1 (Cross section / mm²)	0.08 - 2.5
Cross section2 (Cross section / AWG)	28 - 12
Strip length (Strip length / mm)	8 - 9
Measured voltage (Measured voltage / V)	630
Measured shock voltage (Measured shock voltage / kV)	6
Pollution degree (Pollution degree)	2
Current intensity (Current intensity / A)	16
RM (PIN SPACING / mm)	7.5
P (NO. OF POLES)	2
Height (Height / mm)	14.3
Width (Width / mm)	14
Depth (Depth / mm)	26.45
No. of connection Points (No. of connection Points)	2
No. of potentials (No. of potentials)	2
COLOR (COLOR)	lichtgrau
WEIGHT (WEIGHT / g)	4.219
Comment (Comment)	L = (No. of poles - 1) x Pin Spacing + 5 mm + 1,5 mm