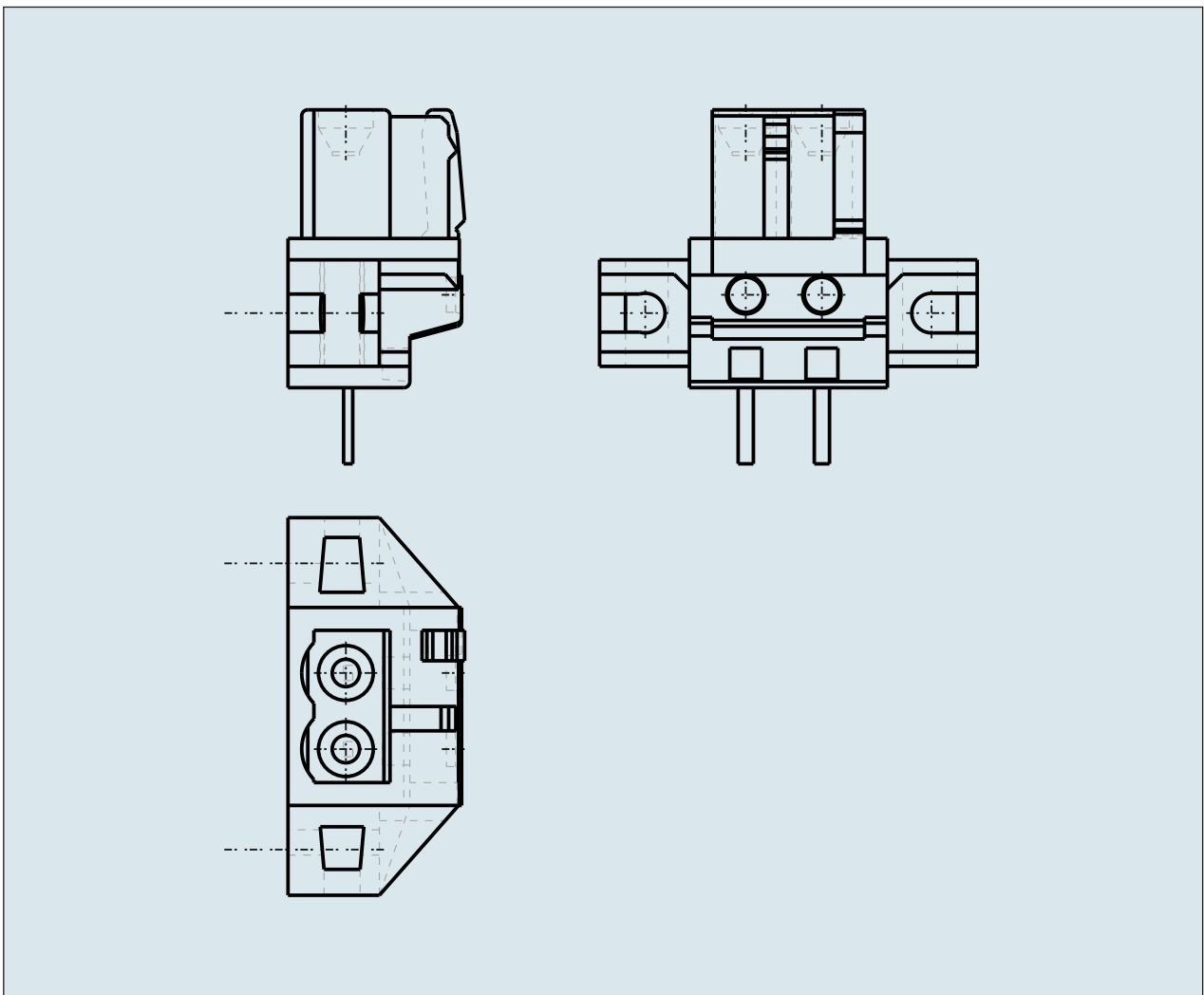
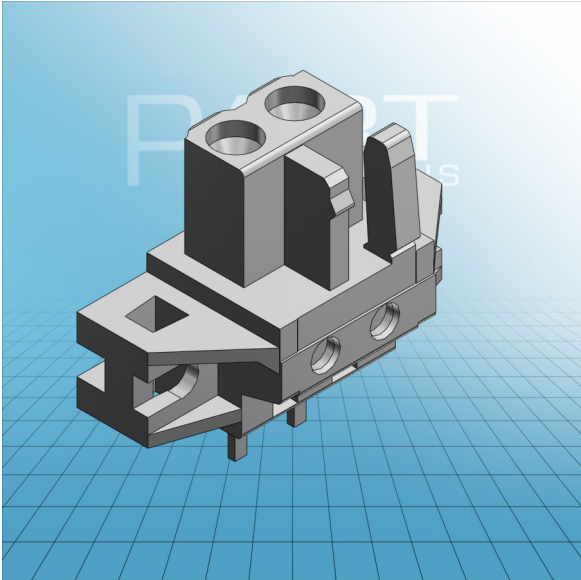


**FEMALE PLUG WITH STRAIGHT
SOLDER PIN PIN SPACING 5 MM / 0.
197 IN 100% PROTECTED AGAINST
MISMATING**



**FEMALE PLUG WITH STRAIGHT
SOLDER PIN PIN SPACING 5 MM / 0.
197 IN 100% PROTECTED AGAINST
MISMATING**

722-132/031-000 TO 722-150/031-000

ITEM-NO. (ITEM-NO.)	722-132/031-000
Measured voltage (Measured voltage / V)	320
Measured shock voltage (Measured shock voltage / kV)	4
Pollution degree (Pollution degree)	2
Current intensity (Current intensity / A)	12
RM (PIN SPACING / mm)	5
P (NO. OF POLES)	2
Height (Height / mm)	18.25
Width (Width / mm)	24.8
Depth (Depth / mm)	11.6
COLOR (COLOR)	lichtgrau
Comment (Comment)	L = (No. of poles x Pin Spacing) L1 = L + 3 mm L2 = L + 8,8 mm L3 = L + 14,8 mm
Dimensions (Dimensions)	1.3 +0.1 mm