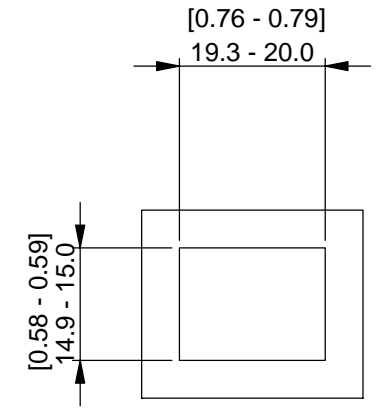
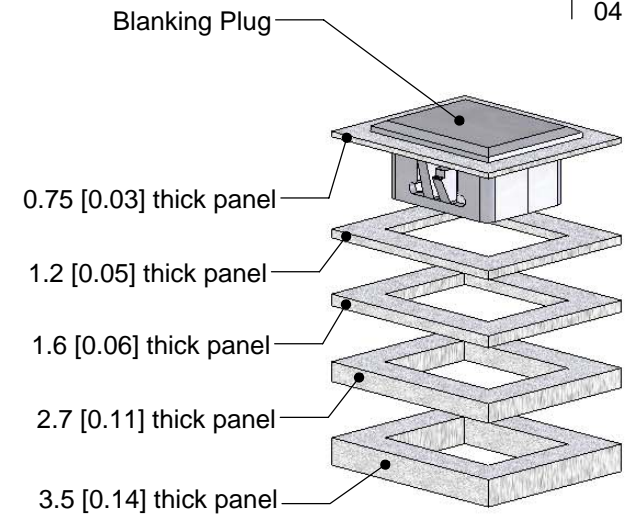
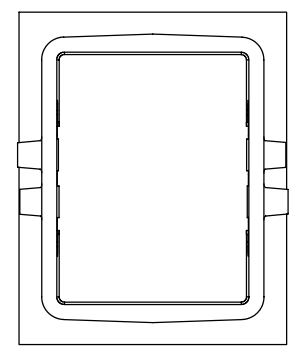
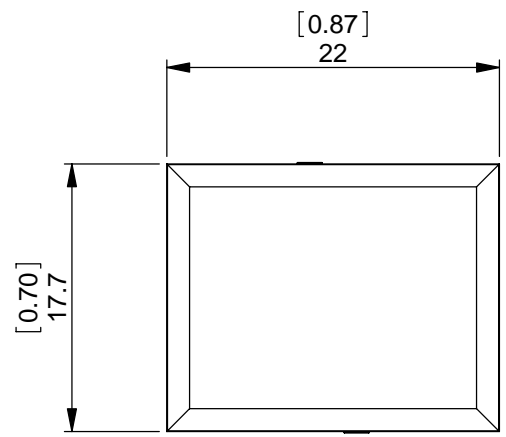
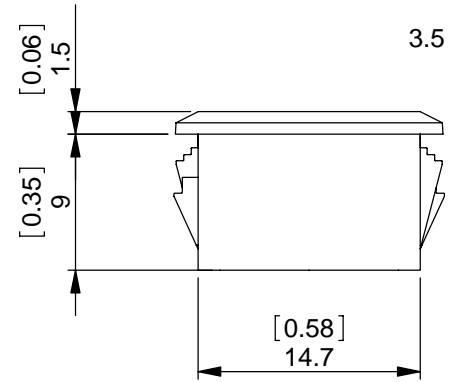
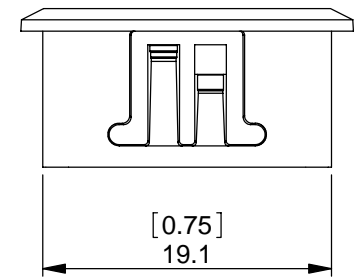


REV.	MODIFICATION.	DATE	DRN
01	Production Release	20/06/07	TC
02	ECN2007-115	17/07/07	TC
03	ECN2007-122	06/08/07	TC
04	ECN2007-138	21/08/07	TC

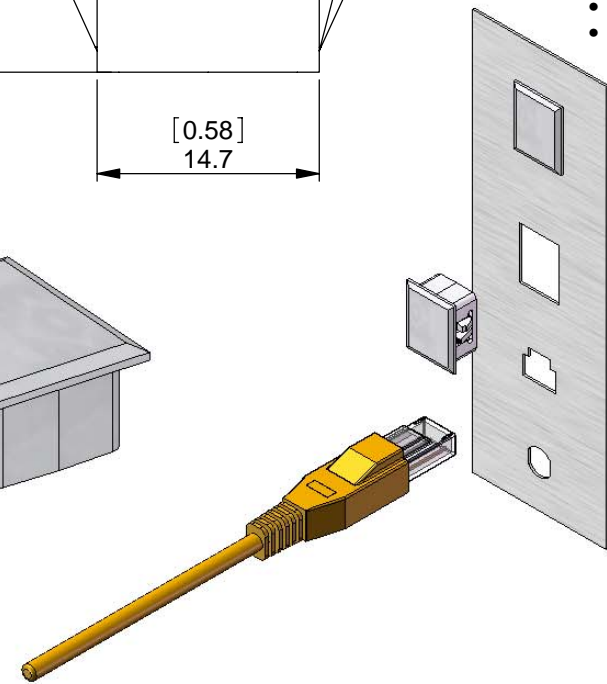
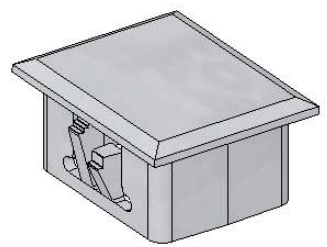
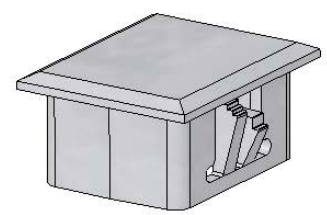


PANEL DETAILS.



NOTES:

- To fit panel hole size and thickness range as shown above
- Available in Grey as standard
- Available in Black by special order. Order code 'BPE-RJ45-01BK'
- Available in White by special order. Order code 'BPE-RJ45-01WH'



<p><i>INFORMATION CONTAINED IN THIS DOCUMENT IS CONFIDENTIAL TO RICHCO INTERNATIONAL Co. Ltd. AND MAY NOT BE DISCLOSED OR REPRODUCED IN WHOLE OR PART WITHOUT THEIR WRITTEN CONSENT.</i></p>			
		<p>ALL DIMENSIONS IN mm GENERAL TOLERANCES ±0.25 UNLESS OTHERWISE STATED 1 DECIMAL PLACE ±0.25 2 DECIMAL PLACES ± 0.10 ANGULAR ±1°</p>	<p>THIRD ANGLE</p>
<p>MATERIAL: Nylon 6/6 UL 94 V2 (RMS-01)</p>		<p>COLOUR: Dolphin Grey (GY)</p>	
<p>DESCRIPTION: Blanking Plug for RJ-45 Connectors</p>		<p>PART No: BPE-RJ45-01GY</p>	
<p>DRG No: 07-055</p>	<p>NPR No: 2006-275</p>	<p>Mass:(g) 1.5</p>	<p>SHEET SIZE A4</p>
<p>DRN NJB</p>	<p>DATE 27/09/06</p>	<p>CHKD TC</p>	<p>DATE 21/12/06</p>
<p>SCALE NTS</p>		<p>SHEET No. 1 OF 2</p>	