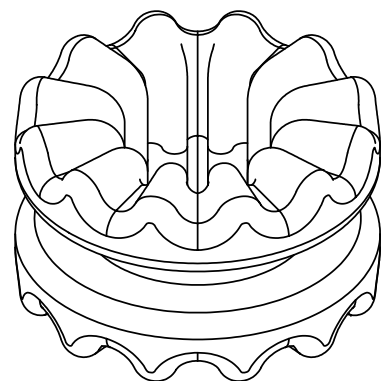
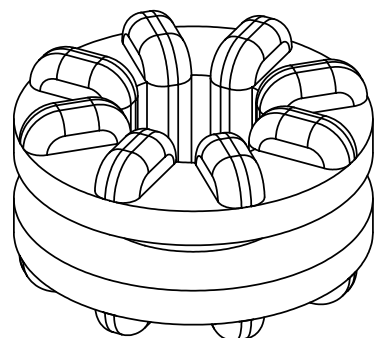


| GROMMET TABLE | | | | | | | MOUNTING OPTIONS |
|---------------|-------------------|-------------------|-----------------------|-----------------------|------------|------------|--------------------|
| PART NUMBER | DIM. "A" ±.010 | DIM. "B" ±.010 | PANEL THICKNESS | PANEL HOLE SIZE | DIM. "C" | DIM. "D" | METAL SCREWS 'VGS' |
| VG-1 | .380 [9.7] | .158 [4] | .057±.006 [1.45±0.15] | .250±.005 [6.35±0.13] | .087 [2.2] | .231 [5.9] | VGS-1 |
| VG-2 | .565 [14.4] | .188 [4.8] | .063±.006 [1.6±0.15] | .375±.005 [9.53±0.13] | .131 [3.3] | .324 [8.2] | VGS-2 |
| VG-3 | .380 [9.7] | .158 [4] | .031±.003 [0.79±0.08] | .250±.005 [6.35±0.13] | .100 [2.5] | .231 [5.9] | VGS-1 |
| VG-4 | .565 [14.4] | .188 [4.8] | .043±.004 [1.09±0.1] | .375±.005 [9.53±0.13] | .141 [3.6] | .324 [8.2] | VGS-2 |
| VG-5 | [.374] 9.5 | [.142] 3.6 | [.055±.006] 1.4±0.15 | [.217±.005] 5.5±0.13 | [.083] 2.1 | [.217] 5.5 | VGS-3 |

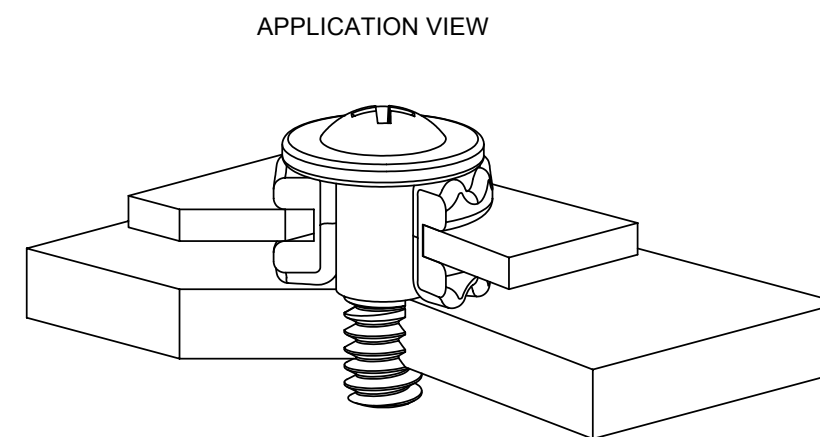
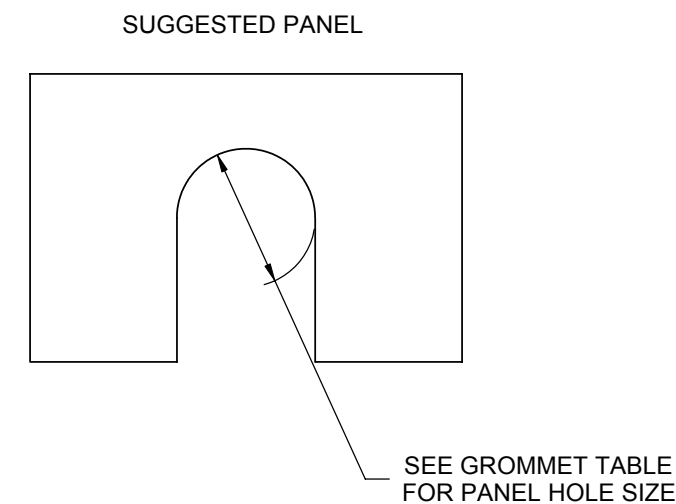
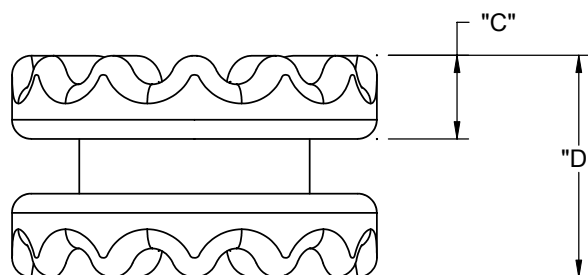
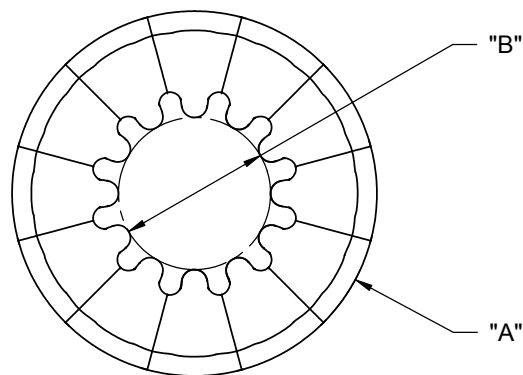
VGS SCREWS ARE SOLD SEPARATELY. PLEASE SEE DRAWING "VGS" FOR DIMENSIONS AND DETAILS



VG-1 TO VG-4



VG-5



- NOTES:
1. MATERIAL: NEOPRENE RUBBER UL 94 V-0 (RMS-190)
2. COLOR: BLACK
3. PRIMARY DIMENSIONS ARE IN INCHES, SECONDARY DIMENSIONS [mm] ARE REFERENCE, EXCEPT FOR PART VG-5, PRIMARY UNITS ARE mm

| | | | | | | | | | | | |
|------|---------------------------|-------|----------|---|----------------------|---------------|---|----------------|-------|----------------------------|-------------------------|
| G | SEE CO 200079 FOR CHANGES | SK | 12/04/07 | TITLE: VIBRATION GROMMET | FILE #: VG | DWN: R.D.G. | APP: R.D.G. | DWG IN IN [MM] | FINAL | PART # SEE TABLE | PRINT TYPE CA |
| F | SEE ECN #1299 | SK | 03/20/07 | | | | | | | | |
| E | SEE ECN #1298 | SK | 03/16/07 | CREATED USING SOLIDWORKS | SHEET: 1 OF 1 | SHEET SIZE: B | DT: 04/19/05 | CHKD: D.J.Z | | | |
| D | SEE ECN #1294 | SK | 03/07/07 | TOLERANCES UNLESS NOTED .XX=±.010 .XXX=±.005 FRAC.=±1/64 ANG.=±1° | RE: RICHCO | | RICHCO, INC. ENG@RICHCO-INC.COM (773) 539-4060 | | | | |
| C | SEE ECN #1195 FOR CHANGES | SK | 07/19/06 | | | | | | | | |
| B | SEE ECN # 1031 | SK | 07/27/05 | | | | | | | | |
| A | RELEASED FOR PRODUCTION | SK | 07/25/05 | | | | | | | | |
| REV. | DESCRIPTION | ENGR. | DATE | | | | | | | | |