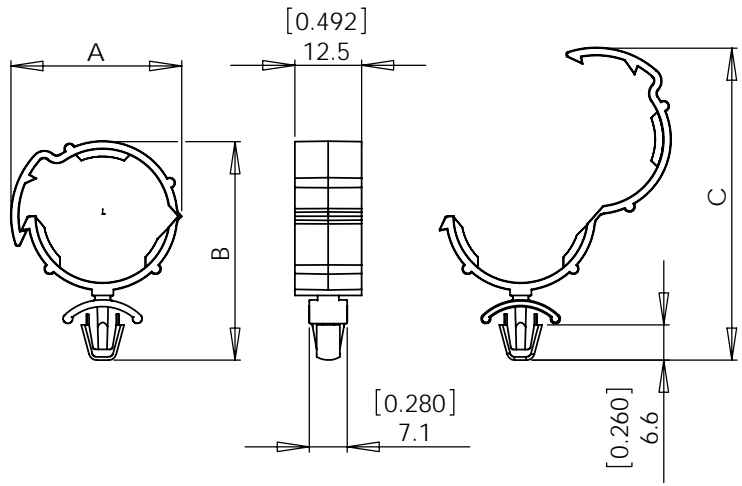
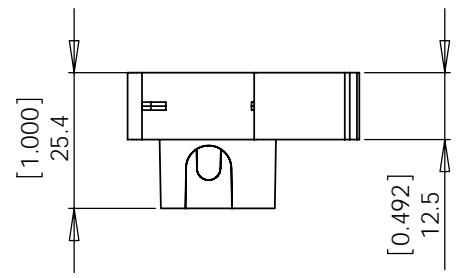
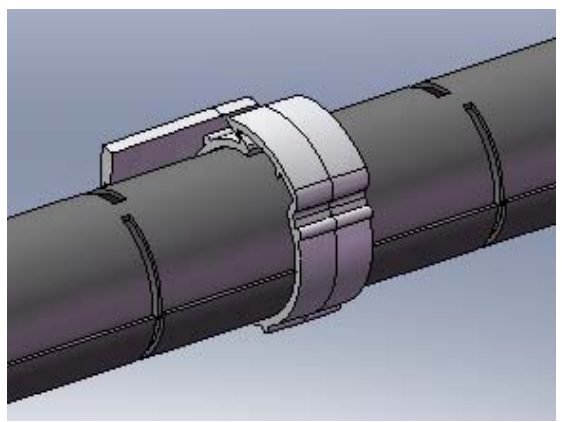


REV	MODIFICATION	DATE	DRN
01	SALES DRAWING	31/05/07	I.C
02	ECN07-179	08/10/07	I.C
03	C.O. 2010075	28/02/08	I.C
04	C.O. 2010214	08/05/08	S.F
05	C.O. 2010227	13/05/08	S.F
06	C.O. 2010266	25/06/08	I.C

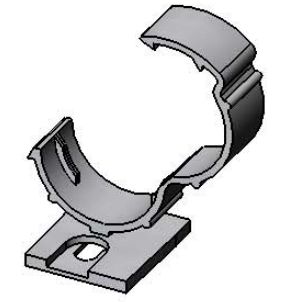
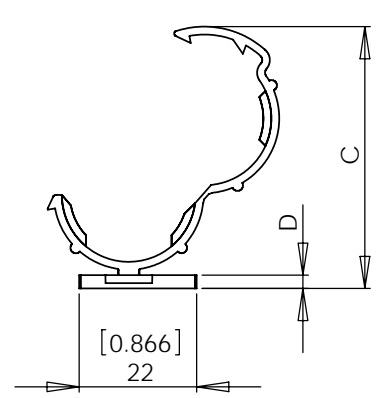
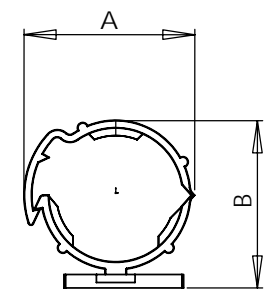
TO HOLD SHR-20 & SHR-25  
SLIT HARNESS WRAP

RECOMMENDED ORIENTATION OF CLIP  
WHEN MOUNTED HORIZONTALLY

OTHER COLOURS ARE AVAILABLE  
BY SPECIAL ORDER



SHR-C1



SHR-C2 / SHR-C3

PART No.	A	B	C	D	MOUNTING	COLOUR
SHR-C1	29 REF	42.5 REF	58 REF	-	SNAP LOCK INTO A $\varnothing 6.4 \pm 0.05$ HOLE [0.252 $\pm 0.002$ ] PANEL THICKNESS 0.8 - 2mm [0.031 - 0.079]	BLACK
SHR-C1-SV	[1.14]	[1.67]	[2.28]	-		SILVER
SHR-C2	30 REF	32.5 REF	47 REF	2.5	MOUNT WITH #8 OR M4 SCREW	BLACK
SHR-C2-SV	[1.18]	[1.28]	[1.85]	[0.10]		SILVER
SHR-C3	30 REF	32.5 REF	47 REF	2.5	0.8 THICK DOUBLE SIDED TAPE (RMS-375)	BLACK
SHR-C3-SV	[1.18]	[1.28]	[1.85]	[0.10]		SILVER

INFORMATION CONTAINED IN THIS DOCUMENT IS CONFIDENTIAL TO RICHCO INTERNATIONAL Co. Ltd. AND MAY NOT BE DISCLOSED OR REPRODUCED IN WHOLE OR PART WITHOUT THEIR WRITTEN CONSENT.

**Richco**

ALL DIMENSIONS ARE IN mm  
GENERAL TOLERANCES  $\pm 0.25$   
1 DECIMAL PLACE  $\pm$   
2 DECIMAL PLACES  $\pm$   
ANGULAR  $\pm 1^\circ$

THIRD ANGLE

MATERIAL: NYLON 6/6 UL 94 V-2 (RMS-01) COLOUR: SEE TABLE

DESCRIPTION: SLIT HARNESS WRAP CLIP PART No: SHR-CX

DRG No: 2007-046 NPR No: 2006-199 MASS: 3.5g SHEET SIZE: A3

DRN: I.C DATE: 11/06/07 CHKD: SF DATE: 27/09/07 SCALE: 1:1 SHEET No: 1 OF 1