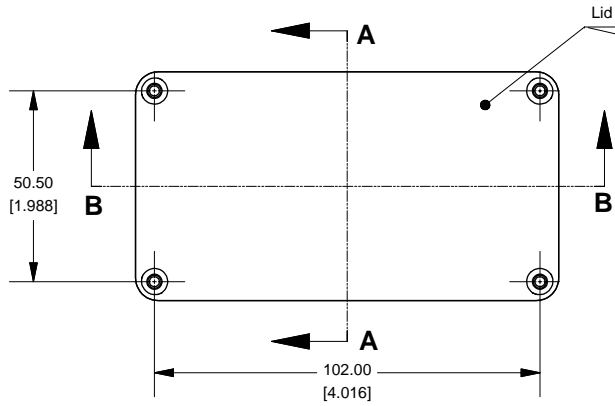
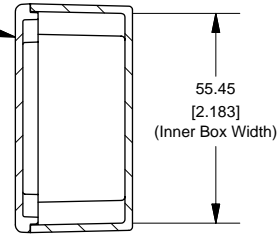


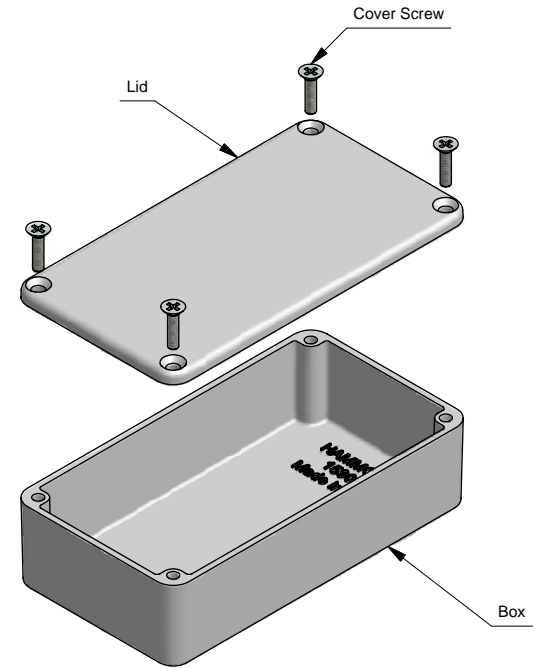
### Top View of Assembly



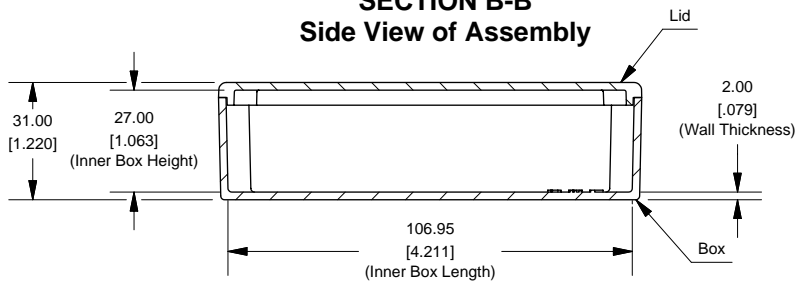
### SECTION A-A End View of Assembly



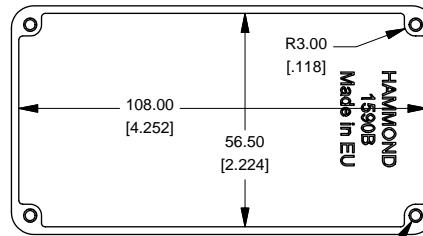
## Series 1590B



### SECTION B-B Side View of Assembly

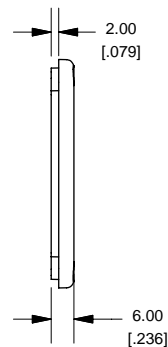
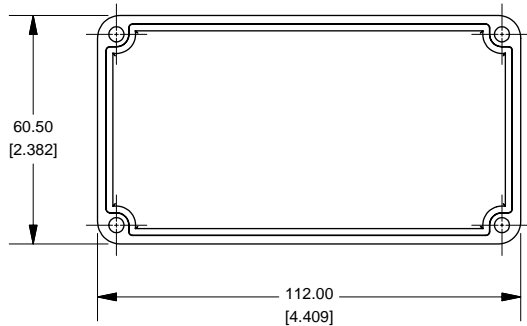


### Top View Looking Inside Box



6-32 UNC - 2B  $\nabla$  11.00  
 $\square$   $\varnothing$ 3.50  $\nabla$  3.00  
 (Threaded Holes)

### Lid



**NOTE**  
 Purchased assembly includes box, lid and 4 cover screws.  
 Box and lid are made from Diecast Aluminum Alloy (alloy type 360.1).

PART NUMBERS	
<b>1590B Enclosure</b>	
Unfinished	1590B
Black Textured Powder Paint	1590BBK
<b>1590B Liquid Resistant Enclosure (Silicon Factory Installed Gasket)</b>	
Unfinished	1590WB
Black Textured Powder Paint	1590WBK
<b>ACCESSORIES</b>	
Unfinished	
Cover Screws (Pkg 100)	
[6-32 x 1/2" Nickel Plated Screws]	1590MS100
Black Textured Powder Paint	
Cover Screws (Pkg 50)	
[6-32 x 1/2" Stainless Steel Black Screws]	1590MS50BK



www.hammondmfg.com