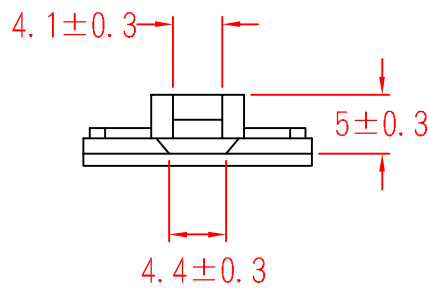
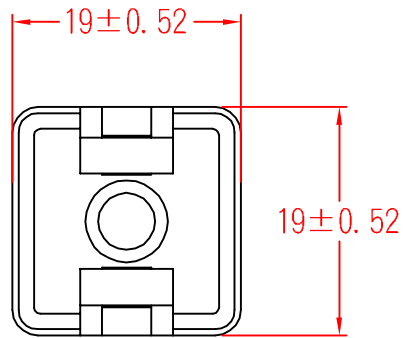


HC-18TBK



KSS
96.09.04

KSS
96.09.04

MATERIAL: UL 94V-2
NYLON 66

ITEM NO.
HC-18TBK

SCALE

FINISH

NAME
SELF ADHESIVE TIE MOUNT

△ (. .)

TOLERANCE
AS FIGURE

△ (. .)
09-04-2007
DATE

REVISIONS K001

R.NO.

